



**RESIDENTIAL AND LIGHT DUTY
COMMERCIAL GAS REPLACEMENT PARTS LIST**

Power Direct Vent Models



**"PDX", "PDX1", "PDX2"
& "PDX4" Series**

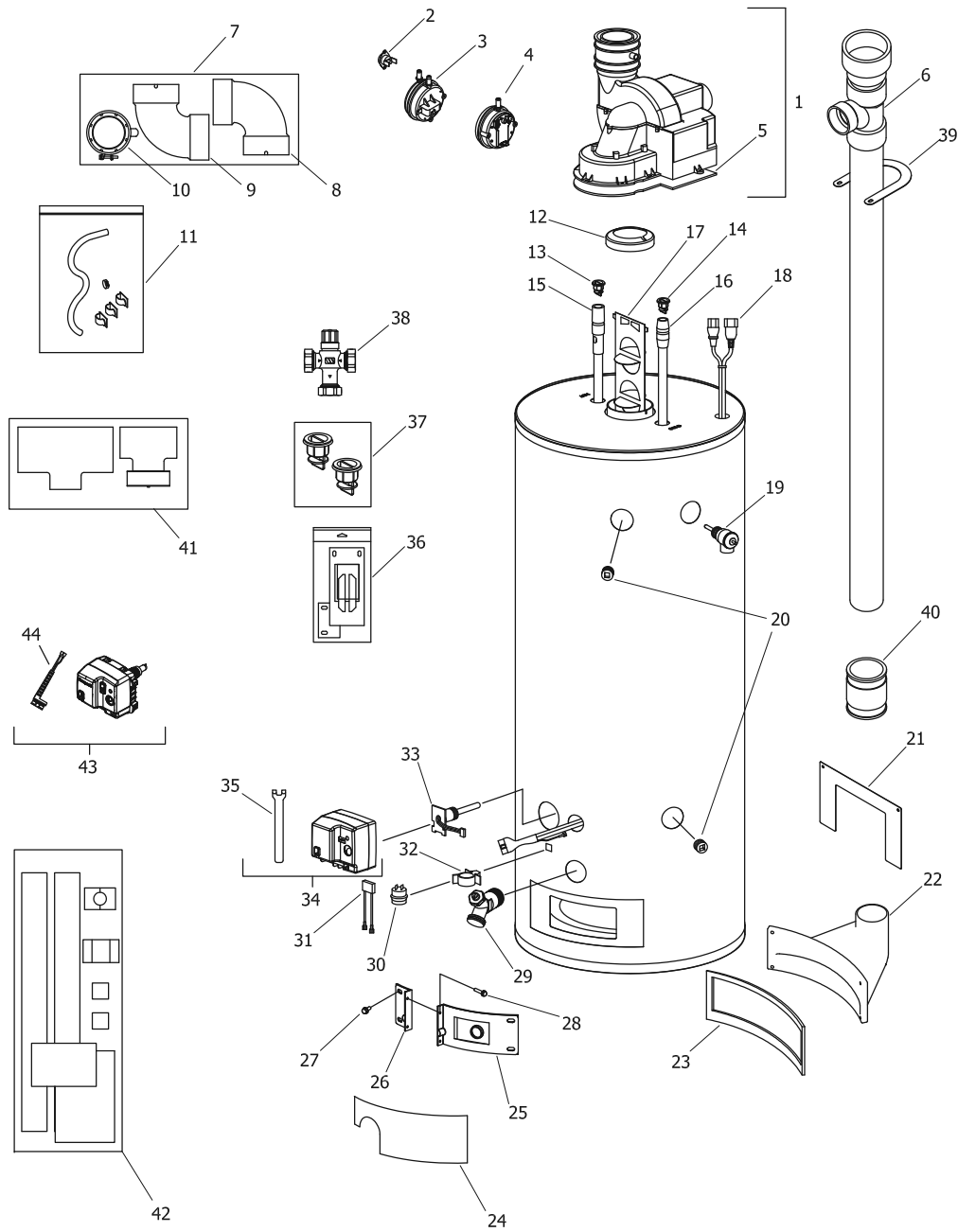
DEFENDER
SAFETY SYSTEM[®]

Includes Hydrojet[®]
Total Performance System

***Effective: January, 2014
ECO 7805***

**NOTE: BOTH MODEL AND SERIAL
NUMBERS ARE REQUIRED FOR
ORDERING REPLACEMENT PARTS**

Dimensions and specifications
subject to change without notice.



Item	Description	Model	Model	Model	Model
		PDX140S*F(BN,SX)	PDX440S*F(BN,SX)	PDX150S*F(BN,SX)	PDX450S*F(BN,SX)
1	Blower Assembly (Normal Alt.)	---	---	---	---
	Blower Assembly (Normal alt.)	265-47386-00	265-47386-00	265-47386-00	265-47386-00
	Blower Assembly (High Alt.)	---	---	---	---
	Blower Assembly (High alt.)	265-47386-00 ¹	265-47386-00 ¹	265-47386-00 ¹	265-47386-00 ¹
	Blower Assembly (High Alt.)	239-48527-00 ²	239-48527-00 ²	239-48527-00 ²	239-48527-00 ²
2	Blower Temperature Switch	239-48752-00	239-48752-00	239-48752-00	239-48752-00
3	Pressure Switch N.O. (Normal Alt.) Exhaust	239-48058-01	239-48058-01	239-48058-01	239-48058-01
	Pressure Switch N.O. (High Alt.) Exhaust	239-48058-01 ¹	239-48058-01 ¹	239-48058-01 ¹	239-48058-01 ¹
	Pressure Switch N.O. (Normal Alt.) Exhaust	---	---	---	---
	Pressure Switch N.O. (High Alt.) Exhaust	239-48058-02 ²	239-48058-02 ²	239-48058-02 ²	239-48058-02 ²
4	Pressure Switch N.C. Intake	---	---	---	---
5	Blower Gasket	239-45866-00	239-45866-00	239-45866-00	239-45866-00
6	Tee and vent pipe Assembly	---	---	---	---
	Tee and vent pipe Assembly	239-47622-05	239-47622-05	239-47622-02	239-47622-02
7	Vent Adapter with Vent Terminal	239-47992-00	239-47992-00	239-47992-00	239-47992-00
8	Intake Vent Terminal Elbow	239-39831-00	239-39831-00	239-39831-00	239-39831-00
9	Exhaust Vent Terminal Elbow	239-39831-00	239-39831-00	239-39831-00	239-39831-00
10	Exhaust Adapter	239-45709-00	239-45709-00	239-45709-00	239-45709-00
11	Condensate Hose Kit (Optional)	239-45875-00	239-45875-00	239-45875-00	239-45875-00
12	Flue Reducer	243-42572-00	243-42572-00	243-42572-00	243-42572-00
13	Heat Trap Insert (Outlet)	239-45167-00	239-45167-00	239-45167-00	239-45167-00
14	Heat Trap Insert (Inlet)	239-45073-00	239-45073-00	239-45073-00	239-45073-00
15	Hot Water Outlet Anode Magnesium ▲	224-47776-09	224-47776-15	224-47776-10	224-47776-16
	Aluminum ▲ (optional)	224-32999-21	224-32999-21	224-32999-21	224-32999-21
	A420 Aluminum ▲ # (optional)	224-49560-08	224-49560-08	224-49560-08	224-49560-08
16	Cold Water Inlet Dip Tube Polypropylene ▲▲	229-39625-20	229-39625-24	229-39625-20	229-39625-24
	Polysulfone (NC Code) ▲▲	229-39628-17	229-39628-17	229-39628-17	229-39628-17
17	Flue Baffle	239-45372-00	239-45372-00	239-45372-00	239-45372-00
18	Blower Harness	239-45617-01	239-45617-01	239-45617-01	239-45617-01
19	T&P Relief Valve	230-40594-02	230-40594-02	230-40594-02	230-40594-02
20	3/4 NPT Plug	239-11638-00	239-11638-00	239-11638-00	239-11638-00
21	Air Intake Boot Escutcheon	---	---	---	---
22	Air Intake Boot	---	---	---	---
	Air Intake Boot	239-47514-18	239-47514-18	239-47514-20	239-47514-20
23	Air Intake Boot Gasket	---	---	---	---
	Air Intake Boot Gasket	239-47832-00	239-47832-00	239-47832-00	239-47832-00
24	Outer Door	243-43962-00	243-43962-00	243-43962-00	243-43962-00
25	Right Side Inner Door	---	---	---	---
	Right Side Inner Door	239-45642-18	239-45642-18	239-45642-20	239-45642-20
26	Left Side Inner Door	239-43968-18	239-43968-18	239-43968-20	239-43968-20
27	Screw #10-12 x 3/4 HWH	239-44113-00	239-44113-00	239-44113-00	239-44113-00

*Applies to all warranties

**Inner door gasket kit recommended

***Ordering a complete burner assembly may increase delivery time.

Please order the specific component required for the quickest delivery.

▲ Order with item 13

▲▲ Order with item 14

A420 Anode may need to be cut to length

† Serial # Prior to FF12046598.

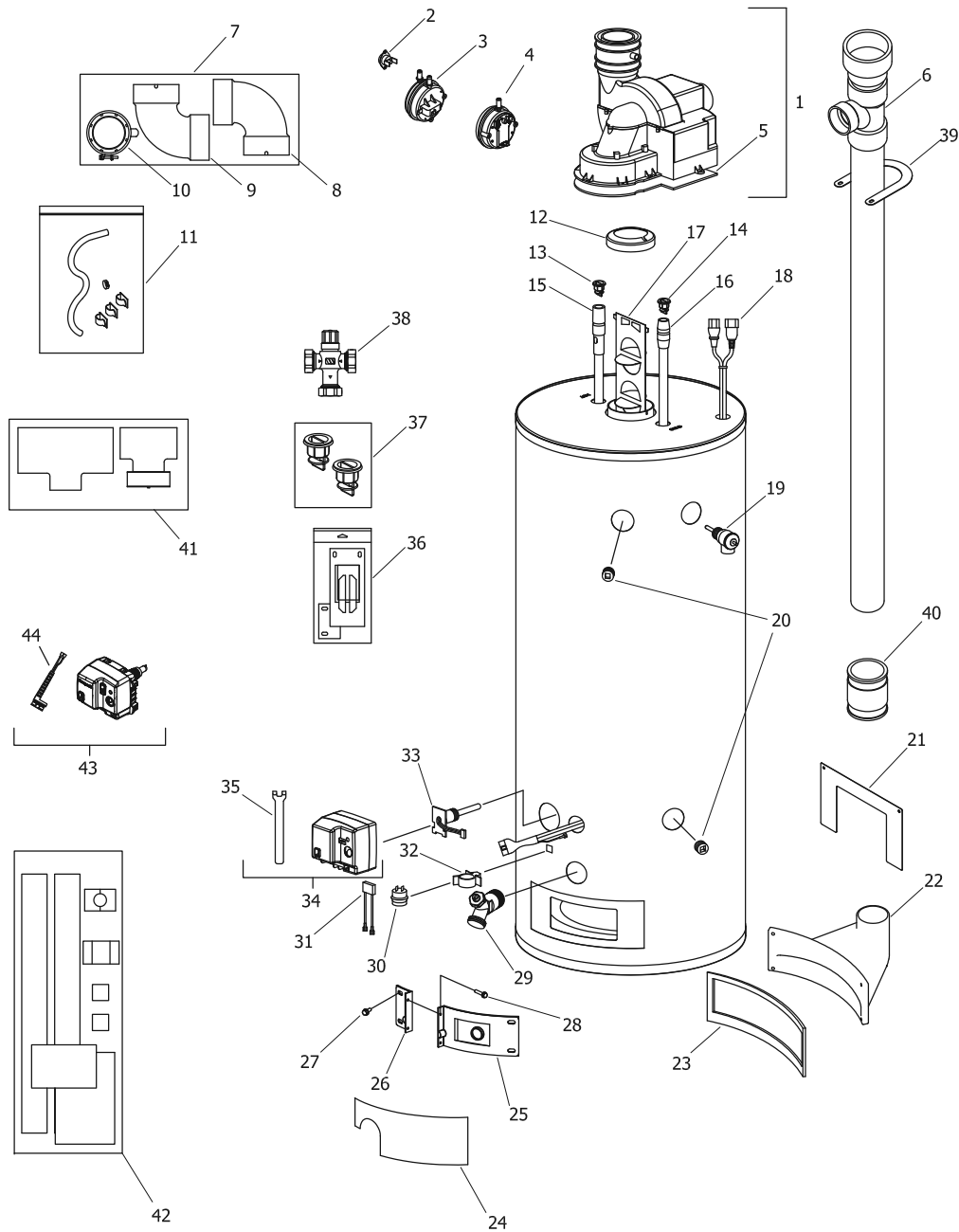
‡ Serial # FF12046598 and after.

■ Serial # FF12046598 to GF13535156.

◆ Serial # GF13535157 and after.

¹ Prior to serial # GK14048618.

² Serial # GK14048618 and after.



Item	Description	Model	Model	Model	Model
		PDX140S*F(BN,SX)	PDX440S*F(BN,SX)	PDX150S*F(BN,SX)	PDX450S*F(BN,SX)
28	Screw-#8-18 x 3/4 HWH	239-44195-00	239-44195-00	239-44195-00	239-44195-00
29	Brass Drain Valve	265-42351-02	265-42351-02	265-42351-02	265-42351-02
30	Flammable Vapor Sensor	239-45560-00	239-45560-00	239-45560-00	239-45560-00
31	Sensor Harness	239-45620-00	239-45620-00	239-45620-00	239-45620-00
32	Flammable Vapor Sensor Clip	239-45648-00	239-45648-00	239-45648-00	239-45648-00
33	Thermal Well	---	---	---	---
	Thermal Well	233-45651-01	233-45651-02	233-45651-01	233-45651-02
34	Gas Valve Natural Gas◆◆◆	239-45613-01	239-45613-01	239-45613-01	239-45613-01
	Gas Valve LP Gas◆◆◆	239-45614-01	239-45614-01	239-45614-01	239-45614-01
35	Gas Valve Service Tool	239-45991-00	239-45991-00	239-45991-00	239-45991-00
36	Inner Door Gasket Kit	---	---	---	---
	Inner Door Gasket Kit	239-44078-00	239-44078-00	239-44078-00	239-44078-00
37	Heat Trap Insert Kit	265-45419-00	265-45419-00	265-45419-00	265-45419-00
38	ASSE Approved Mixing Valve (Optional)	239-43740-01	239-43740-01	239-43740-01	239-43740-01
39	Bracket-Vertical intake	239-47671-02	239-47671-02	239-47671-02	239-47671-02
40	Coupling-2 X 2	239-47850-00	239-47850-00	239-47850-00	239-47850-00
41	Air Inlet Relief Device	239-48391-00	239-48391-00	239-48391-00	239-48391-00
42	OSP-Kit-Insulation	---	239-48949-00	---	239-48391-00
43	Gas Valve Natural Gas◆◆	239-48795-01	239-48795-02	239-48795-01	239-48795-02
	Gas Valve LP Gas◆◆	239-48796-01	239-48796-02	239-48796-01	239-48796-02
44	Flammable Vapor Sensor Harness◆◆	239-49791-00	239-49791-00	239-49791-00	239-49791-00

*Applies to all warranties

**Inner door gasket kit recommended

***Ordering a complete burner assembly may increase delivery time.

Please order the specific component required for the quickest delivery.

▲ Order with item 13

▲▲ Order with item 14

† Serial # Prior to FF12046598.

‡ Serial # FF12046598 and after.

■ Serial # FF12046598 to GF13535156.

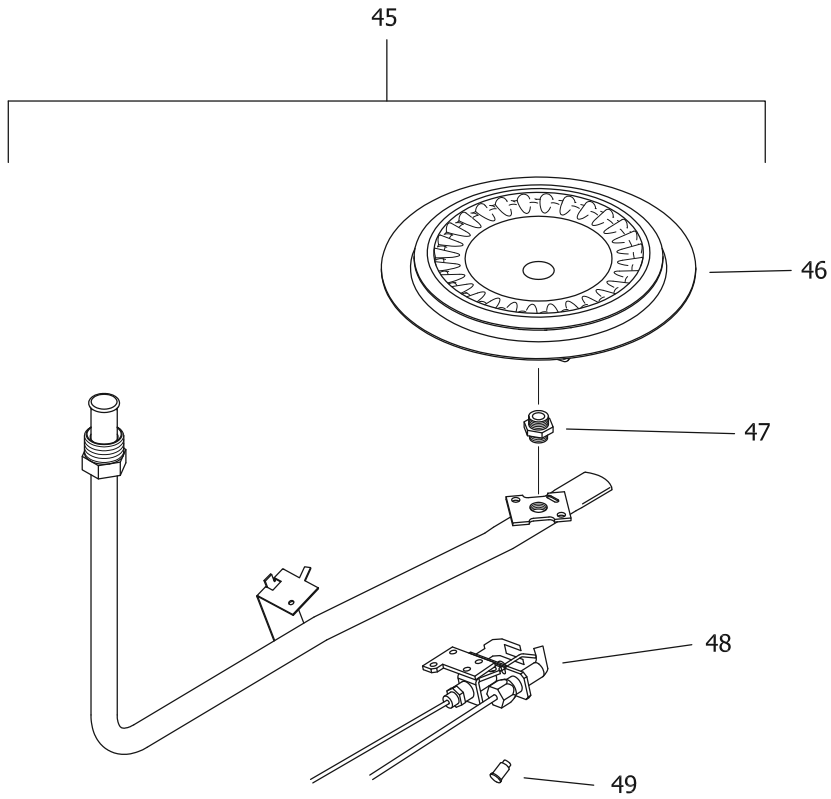
◆ Serial # GF13535157 and after.

◆◆ Serial # starting with K or later.

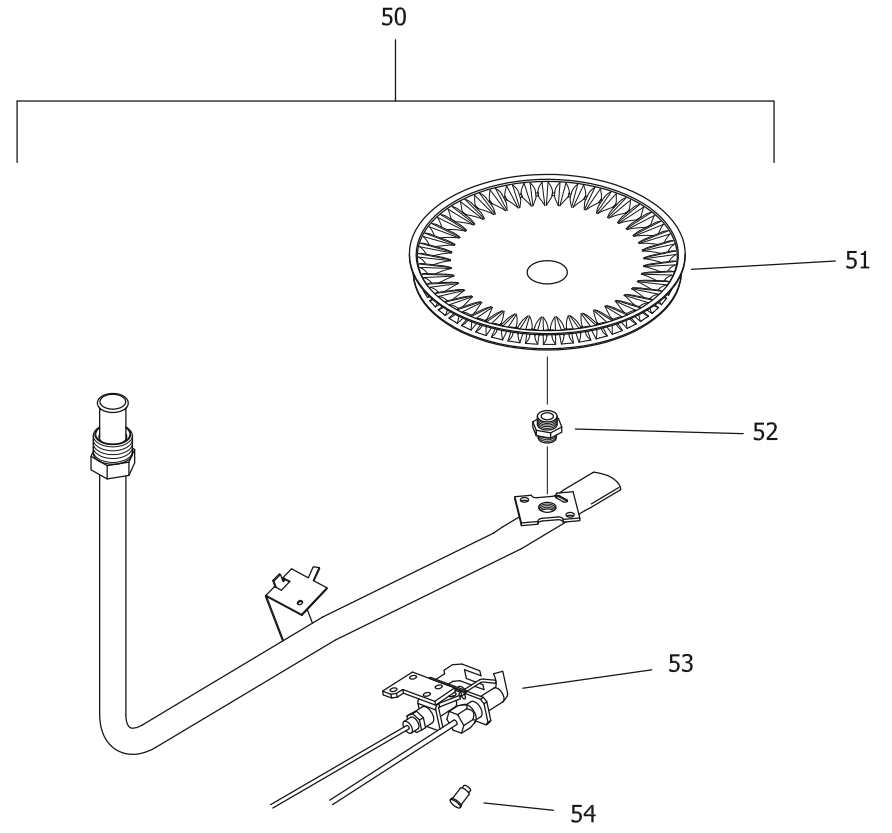
◆◆◆ Serial # starting with J or sooner.

¹ Prior to serial #GK14048618.

² Serial # GK14048618 and after.



NATURAL GAS (BN) BURNER ASSEMBLY



LP GAS (SX) BURNER ASSEMBLY

Item Description	Model PDX140S*F(BN,SX)	Model PDX440S*F(BN,SX)	Model PDX150S*F(BN,SX)	Model PDX450S*F(BN,SX)
Natural Gas BN Burner Assembly				
45 Nat. Gas Burner Assembly Complete***	---	---	---	---
Nat. Gas Burner Assembly Complete***	265-47784-01-32	265-47785-02-32	265-47784-02-32	265-47785-02-32
Nat. Gas Burner Assembly Complete***	265-47784-01-33	---	265-47784-02-33	---
46 Nat. Gas (BN) Burner**	228-42506-00	228-47000-00	228-42506-00	228-47000-00
47 Nat. Gas (BN) Main Burner Orifice**	234-41034-32	234-41034-32	234-41034-32	234-41034-32
Nat. Gas (BN) Main Burner Orifice**	---	---	---	---
Nat. Gas (BN)High Altitude 2001 Ft. to 5000 Ft.**	234-41034-33 †	234-41034-33 †	234-41034-33 †	234-41034-33 †
Nat. Gas (BN)High Altitude 2001 Ft. to 5000 Ft.**	234-41034-35 ‡	234-41034-35 ‡	234-41034-35 ‡	234-41034-35 ‡
Nat. Gas (BN)High Altitude 5001 Ft. to 8000 Ft.**	234-41034-35 †	234-41034-35 †	234-41034-35 †	234-41034-35 †
Nat. Gas (BN)High Altitude 5001 Ft. to 8000 Ft.**	234-41034-36 ‡	234-41034-36 ‡	234-41034-36 ‡	234-41034-36 ‡
Nat. Gas (BN)High Altitude Over 8000 Ft.**	234-41034-38	234-41034-38	234-41034-38	234-41034-38
48 Nat. Gas Pilot Assembly**	233-45653-05	233-45653-02	233-45653-05	233-45653-02
49 Nat. Gas Pilot Orifice**	234-45869-01	234-45869-01	234-45869-01	234-45869-01
LP Gas (SX) Titanium Stabilized Stainless Steel Burner Assembly			(Replacement for LP Gas (CX) Cast Iron Burner)	
50 LP Gas Burner Assembly Complete***	---	---	---	---
LP Gas Burner Assembly Complete***	265-47917-01-50	265-47917-01-50	265-47917-02-50	265-47917-02-50
51 LP Gas (SX) Burner**	228-46964-00	228-46964-00	228-46964-00	228-46964-00
52 LP Gas (SX) Main Burner Orifice**	234-47064-50	234-47064-50	234-47064-50	234-47064-50
LP Gas (SX) High Altitude 2001 Ft. to 5000 Ft.**	234-47064-51	234-47064-51	234-47064-51	234-47064-51
LP Gas (SX) High Altitude 5001 Ft. to 8000 Ft.**	234-47064-52	234-47064-52	234-47064-52	234-47064-52
LP Gas (SX) High Altitude Over 8000 Ft.**	234-47064-53	234-47064-53	234-47064-53	234-47064-53
53 LP Gas (SX) Pilot Assembly**	233-45653-04	233-45653-04	233-45653-04	233-45653-04
54 LP Gas (SX) Pilot Orifice**	234-45869-02	234-45869-02	234-45869-02	234-45869-02
LP to Natural Gas Conversion Kit (Norm Alt.)	---	---	---	---
LP to Natural Gas Conversion Kit (High Alt.)	---	---	---	---
LP to Natural Gas Conversion Kit (Norm Alt.)	265-46493-47	265-46493-47	265-46493-48	265-46493-48
LP to Natural Gas Conversion Kit (High Alt.)	265-46493-55	265-46493-55	265-46493-56	265-46493-56

*Applies to all warranties

**Inner door gasket kit recommended

***Ordering a complete burner assembly may increase delivery time.

Please order the specific component required for the quickest delivery.

▲ Order with item 13

▲▲ Order with item 14

† Serial # Prior to FF12046598.

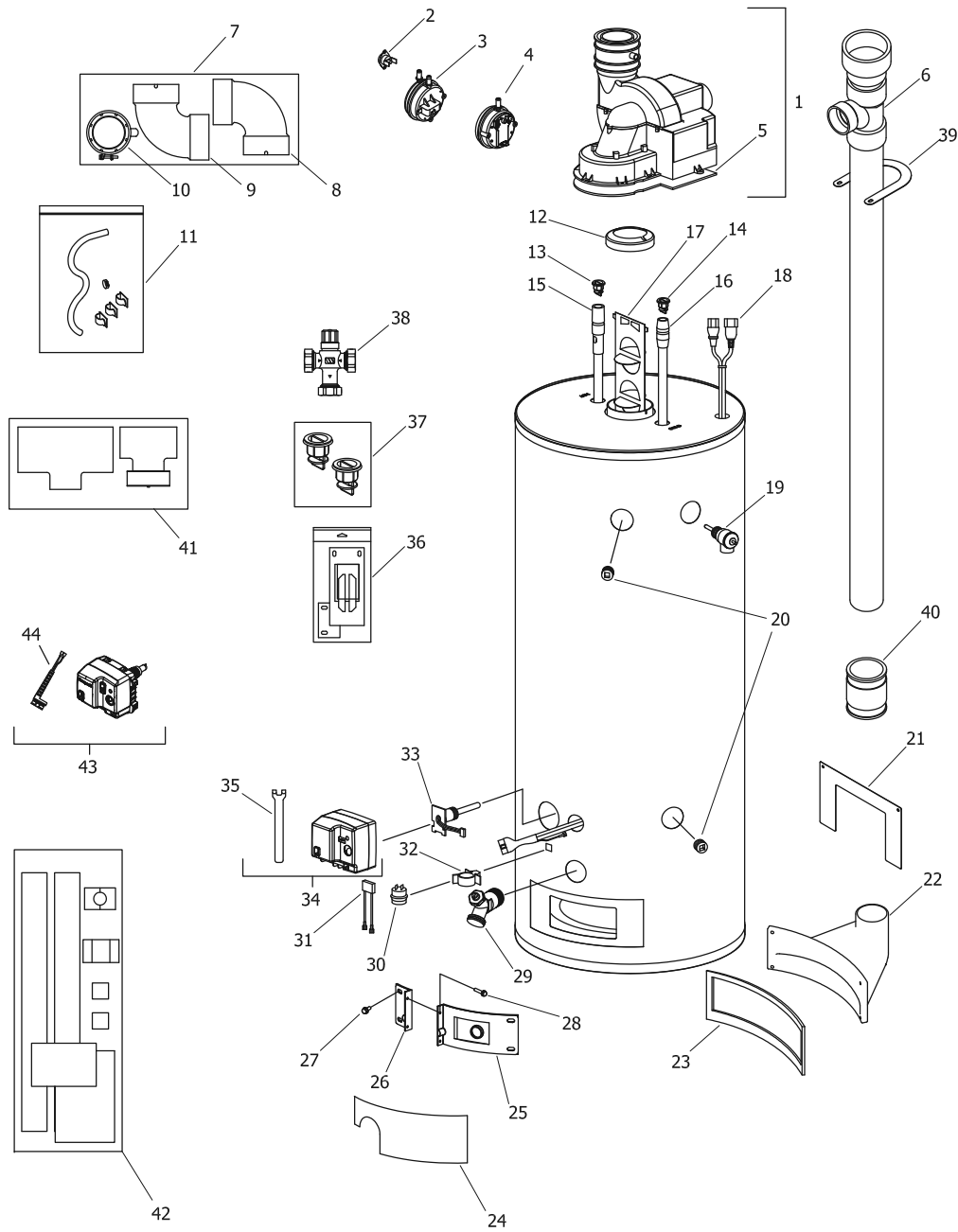
‡ Serial # FF12046598 and after.

■ Serial # FF12046598 to GF13535156.

◆ Serial # GF13535157 and after.

¹ Prior to serial #GK14048618.

² Serial # GK14048618 and after.



Item	Description	Model	Model	Model	Model
		PDX250T*F(BN, SX, CX)	PDX265T*F(BN, SX, CX)	PDX275T*F(BN, SX, CX)	PDX50S60F(B*N, S*X, C*X)
1	Blower Assembly (Normal Alt.)	265-46719-00 †	265-46719-00 †	265-46719-00 †	265-46719-00 †
	Blower Assembly (Normal alt.)	265-47387-00 ‡	265-47387-00 ‡	265-47387-00 ‡	265-47387-00 ‡
	Blower Assembly (High Alt.)	243-46881-00 †	243-46881-00 †	243-46881-00 †	243-46881-00 †
	Blower Assembly (High alt.)	265-47387-00 ■	265-47387-00 ■	265-47387-00 ■	265-47387-00 ■
	Blower Assembly (High Alt.)	239-48528-00 ²	239-48528-00 ²	239-48528-00 ²	239-48528-00 2
2	Blower Temperature Switch	239-48752-00	239-48752-00	239-48752-00	239-48752-00
3	Pressure Switch N.O. (Normal Alt.) Exhaust	239-46880-01 †	239-46880-01 †	239-46880-01 †	239-46880-01 †
	Pressure Switch N.O. (High Alt.) Exhaust	239-46880-02 †	239-46880-02 †	239-46880-02 †	239-46880-02 †
	Pressure Switch N.O. (Normal Alt.) Exhaust	239-48058-01 ‡	239-48058-01 ‡	239-48058-01 ‡	239-48058-01 ‡
	Pressure Switch N.O. (High Alt.) Exhaust	239-48058-02 ‡	239-48058-02 ‡	239-48058-02 ‡	239-48058-02 ‡
4	Pressure Switch N.C. Intake	239-46879-01 †	239-46879-01 †	239-46879-01 †	239-46879-01 †
5	Blower Gasket	239-45866-00	239-45866-00	239-45866-00	239-45866-00
6	Tee and vent pipe Assembly	239-46823-01 †	239-46823-02 †	239-46823-03 †	239-46823-01 †
	Tee and vent pipe Assembly	239-47622-01 ‡	239-47622-03 ‡	239-47622-04 ‡	239-47622-01 ‡
7	Vent Adapter with Vent Terminal	239-48781-00	239-48781-00	239-48781-00	239-48781-00
8	Intake Vent Terminal Elbow	239-40579-00	239-40579-00	239-40579-00	239-40579-00
9	Exhaust Vent Terminal Elbow	239-40579-00	239-40579-00	239-40579-00	239-40579-00
10	Exhaust Adapter	239-45639-00	239-45639-00	239-45639-00	239-45639-00
11	Condensate Hose Kit (Optional)	239-45875-00	239-45875-00	239-45875-00	239-45875-00
12	Flue Reducer	243-42572-00	243-42572-00	---	243-42572-00
13	Heat Trap Insert (Outlet)	239-45167-00	239-45167-00	239-45167-00	239-45167-00
14	Heat Trap Insert (Inlet)	239-45073-00	239-45073-00	239-45073-00	239-45073-00
15	Hot Water Outlet Anode Magnesium ▲	224-47776-12	224-47776-08	224-47776-07	224-47776-07
	Aluminum ▲ (optional)	224-32999-21	224-32999-06	224-32999-06	224-32999-21
	A420 Aluminum ▲ # (optional)	224-49560-08	224-49560-08	224-49560-08	224-49560-08
16	Cold Water Inlet Dip Tube Polypropylene ▲▲	229-39625-17	229-45398-07	229-45398-07	229-39625-19
	Polysulfone (NC Code)▲▲	229-39628-17	229-45092-04	229-45092-04	229-39628-19
17	Flue Baffle	239-45373-00	239-45373-00	239-42899-00	239-45373-00
18	Blower Harness	239-45617-02	239-45617-02	239-45617-02	239-45617-02
19	T&P Relief Valve	230-40594-02	230-40594-02	230-40594-02	230-40594-02
20	3/4 NPT Plug	239-11638-00	239-11638-00	239-11638-00	239-11638-00
21	Air Intake Boot Escutcheon	243-46922-00 †	243-46922-00 †	243-46922-00 †	243-46922-00 †
22	Air Intake Boot	239-46756-01 †	239-46756-02 †	239-46756-03 †	239-46756-01 †
	Air Intake Boot	239-47514-18 ‡	239-47514-20 ‡	239-47514-22 ‡	239-47514-18 ‡
23	Air Intake Boot Gasket	239-41067-00 †	239-41067-00 †	239-41067-00 †	239-41067-00 †
	Air Intake Boot Gasket	239-47832-00 ‡	239-47832-00 ‡	239-47832-00 ‡	239-47832-00 ‡
24	Outer Door	243-43962-00	243-43962-00	243-43962-00	243-43962-00
25	Right Side Inner Door	239-45642-18 †	239-45642-20 †	239-45642-20 †	239-45642-18 †
	Right Side Inner Door	239-45642-18 ‡	239-45642-20 ‡	239-47504-22 ‡	239-45642-18 ‡
26	Left Side Inner Door	239-43968-18	239-43968-20	239-43968-20	239-43968-18
27	Screw #10-12 x 3/4 HWH	239-44113-00	239-44113-00	239-44113-00	239-44113-00

*Applies to all warranties

**Inner door gasket kit recommended

***Ordering a complete burner assembly may increase delivery time.

Please order the specific component required for the quickest delivery.

▲ Order with item 13

▲▲ Order with item 14

A420 Anode may need to be cut to length

† Serial # Prior to FF12046598.

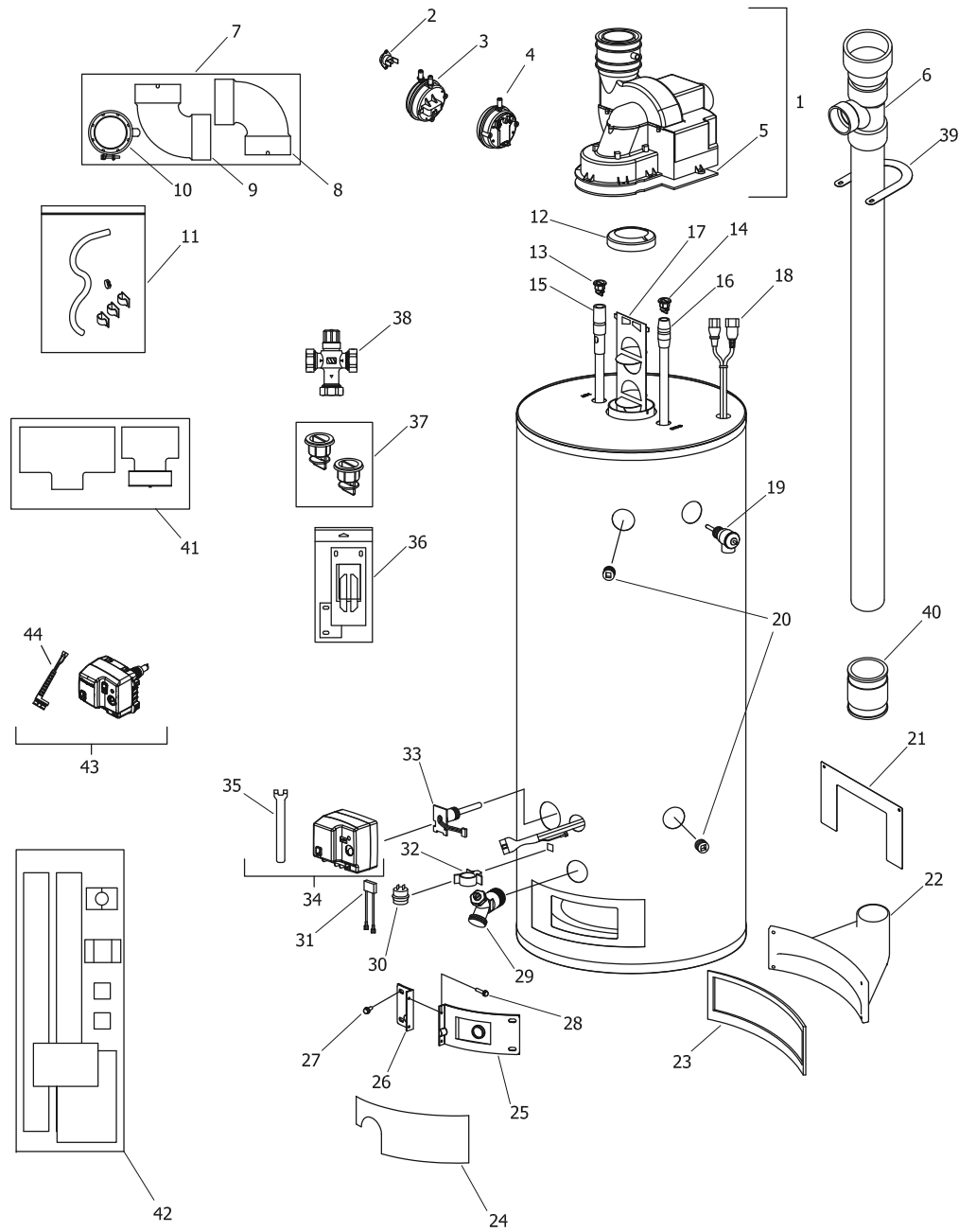
‡ Serial # FF12046598 and after.

■ Serial # FF12046598 to GF13535156.

◆ Serial # GF13535157 and after.

¹ Prior to serial # GK14048618.

² Serial # GK14048618 and after.



Item	Description	Model	Model	Model	Model
		PDX250T*F(BN, SX, CX)	PDX265T*F(BN, SX, CX)	PDX275T*F(BN, SX, CX)	PDX50S60F(B*N, S*X, C*X)
28	Screw-#8-18 x 3/4 HWH	239-44195-00	239-44195-00	239-44195-00	239-44195-00
29	Brass Drain Valve	265-42351-02	265-42351-02	265-42351-02	265-42351-02
30	Flammable Vapor Sensor	239-45560-00	239-45560-00	239-45560-00	239-45560-00
31	Sensor Harness	239-45620-00	239-45620-00	239-45620-00	239-45620-00
32	Flammable Vapor Sensor Clip	239-45648-00	239-45648-00	239-45648-00	239-45648-00
33	Thermal Well	233-45651-02 †	233-45651-01 †	233-45651-02 †	233-45651-02 †
	Thermal Well	233-45651-02 ‡	233-45651-02 ‡	233-45651-02 ‡	233-45651-02 ‡
34	Gas Valve Natural Gas◆◆◆	239-45613-01	239-45613-01	239-45613-01	239-45613-02
	Gas Valve LP Gas◆◆◆	239-45614-01	239-45614-01	239-45614-01	239-45614-02
35	Gas Valve Service Tool	239-45991-00	239-45991-00	239-45991-00	239-45991-00
36	Inner Door Gasket Kit	239-44078-00 †	239-44078-00 †	239-44078-00 †	239-44078-00 †
	Inner Door Gasket Kit	239-44078-00 ‡	239-44078-00 ‡	239-47792-00 ‡	239-44078-00 ‡
37	Heat Trap Insert Kit	265-45419-00	265-45419-00	265-45419-00	265-45419-00
38	ASSE Approved Mixing Valve (Optional)	239-43740-01	239-43740-01	239-43740-01	239-43740-01
39	Bracket-Vertical intake	239-47671-01 ‡	239-47671-01 ‡	239-47671-01 ‡	239-47671-01 ‡
40	Coupling-2 X 2	239-47850-00 ‡	239-47850-00 ‡	239-47850-00 ‡	239-47850-00 ‡
41	Air Inlet Relief Device	239-48392-00	239-48392-00	239-48392-00	239-48392-00
42	OSP-Kit-Insulation	---	---	---	---
43	Gas Valve Natural Gas◆◆	239-48795-02	239-48795-02	239-48795-02	239-48795-04
	Gas Valve LP Gas◆◆	239-48796-02	239-48796-02	239-48796-02	239-48796-04
44	Flammable Vapor Sensor Harness◆◆	239-49791-00	239-49791-00	239-49791-00	239-49791-00

*Applies to all warranties

**Inner door gasket kit recommended

***Ordering a complete burner assembly may increase delivery time.

Please order the specific component required for the quickest delivery.

▲ Order with item 13

▲▲ Order with item 14

† Serial # Prior to FF12046598.

‡ Serial # FF12046598 and after.

■ Serial # FF12046598 to GF13535156.

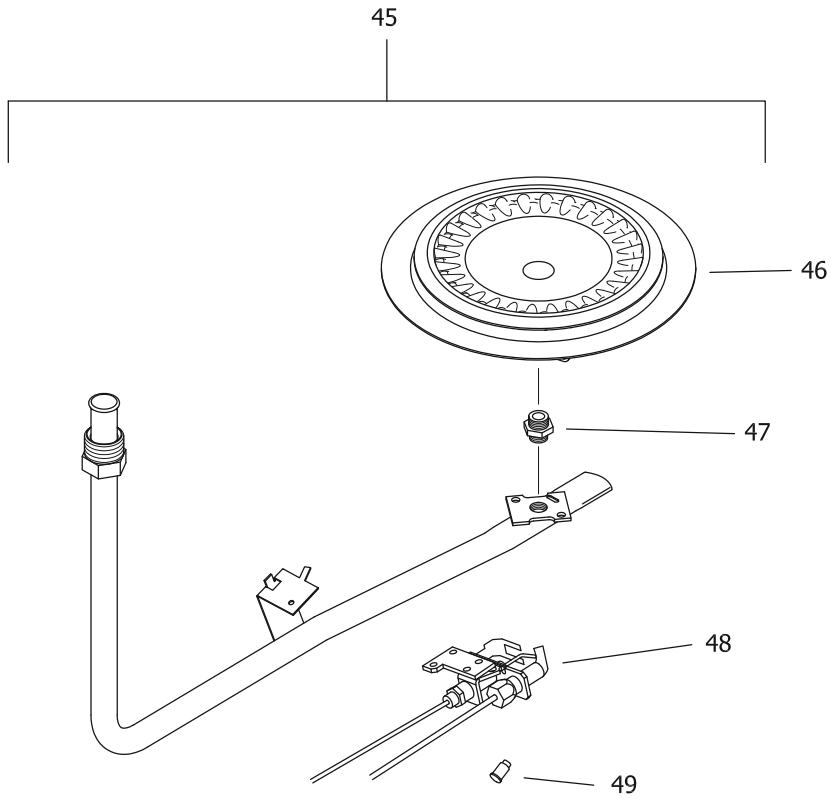
◆Serial # GF13535157 and after.

◆◆ Serial # starting with K or later.

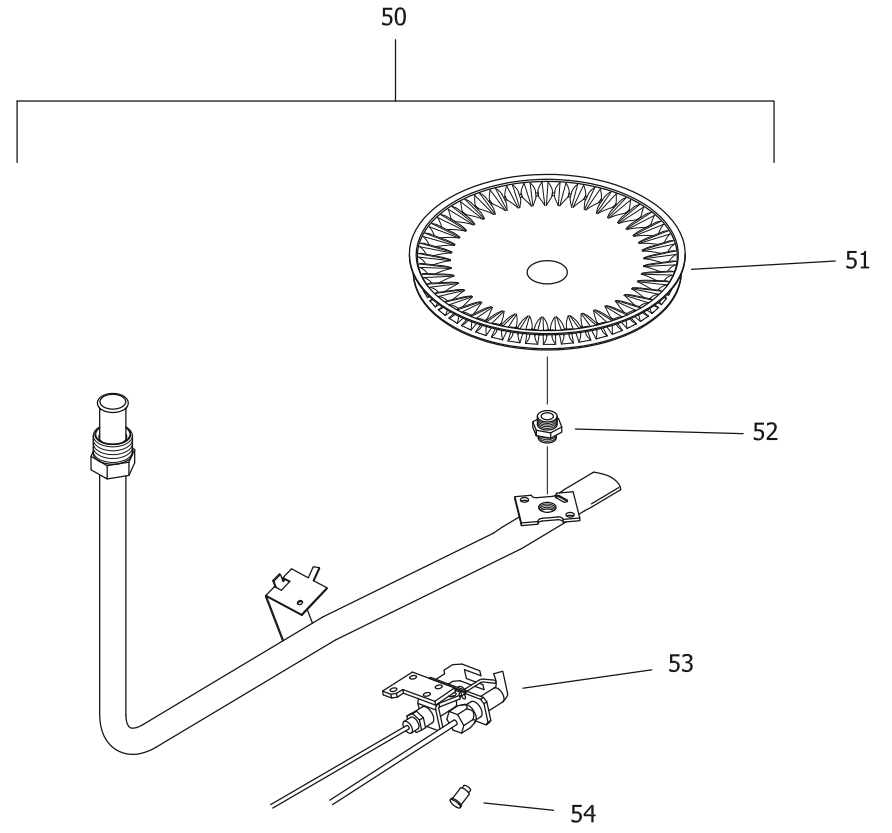
◆◆◆ Serial # starting with J or sooner.

¹ Prior to serial #G K14048618.

² Serial # GK14048618 and after.



NATURAL GAS (BN) BURNER ASSEMBLY



LP GAS (SX) BURNER ASSEMBLY

Item Description	Model PDX250T*F(BN, SX, CX)	Model PDX265T*F(BN, SX, CX)	Model PDX275T*F(BN, SX, CX)	Model PDX50S60F(B*N, S*X, C*X)
Natural Gas BN Burner Assembly				
45 Nat. Gas Burner Assembly Complete***	265-47439-06-28 †	265-47439-09-27 †	265-45652-05-25 †	265-47439-06-28 †
Nat. Gas Burner Assembly Complete***	265-47784-02-28 ‡	243-47784-03-27 ‡	265-47785-01-25 ‡	265-47784-02-28 ‡
Nat. Gas Burner Assembly Complete***	265-47784-02-28 ◆	243-47784-03-27 ◆	265-47785-01-25 ◆	265-47784-02-28 ◆
46 Nat. Gas (BN) Burner**	228-42506-00	228-42506-00	228-47000-00	228-42506-00
47 Nat. Gas (BN) Main Burner Orifice**	234-41034-28	234-41034-27	234-41034-25	234-41034-28
Nat. Gas (BN) Main Burner Orifice**	234-41034-28 ◆	234-41034-27 ◆	234-41034-25 ◆	234-41034-28 ◆
Nat. Gas (BN)High Altitude 2001 Ft. to 5000 Ft.**	234-41034-30	234-41034-29	234-41034-27	234-41034-30
Nat. Gas (BN)High Altitude 2001 Ft. to 5000 Ft.**	234-41034-30 ◆	234-41034-29 ◆	234-41034-27 ◆	234-41034-30 ◆
Nat. Gas (BN)High Altitude 5001 Ft. to 8000 Ft.**	234-41034-31	234-41034-31	234-41034-30	234-41034-31
Nat. Gas (BN)High Altitude 5001 Ft. to 8000 Ft.**	234-41034-31	234-41034-31	234-41034-30	234-41034-31
Nat. Gas (BN)High Altitude Over 8000 Ft.**	234-41034-31	234-41034-31	234-41034-30	234-41034-31
48 Nat. Gas Pilot Assembly**	233-45653-05	233-45653-05	233-45653-05	233-45653-05
49 Nat. Gas Pilot Orifice**	234-45869-01	234-45869-01	234-45869-01	234-45869-01
LP Gas (SX) Titanium Stabilized Stainless Steel Burner Assembly		(Replacement for LP Gas (CX) Cast Iron Burner)		
50 LP Gas Burner Assembly Complete***	265-47440-10-44 †	265-47440-16-44 †	265-47119-04-42 †	265-47440-10-44 †
LP Gas Burner Assembly Complete***	265-47376-01-44 ‡	265-47376-02-44 ‡	265-47376-03-42 ‡	265-47376-01-44 ‡
51 LP Gas (SX) Burner**	228-47000-00	228-47000-00	228-47000-00	228-47000-00
52 LP Gas (SX) Main Burner Orifice**	234-47064-44	234-47064-44	234-47064-42	234-47064-44
LP Gas (SX) High Altitude 2001 Ft. to 5000 Ft.**	234-47064-47	234-47064-47	234-47064-44	234-47064-47
LP Gas (SX) High Altitude 5001 Ft. to 8000 Ft.**	234-47064-48	234-47064-48	234-47064-45	234-47064-48
LP Gas (SX) High Altitude Over 8000 Ft.**	234-47064-49	234-47064-49	234-47064-47	234-47064-49
53 LP Gas (SX) Pilot Assembly**	233-45653-04	233-45653-04	233-45653-04	233-45653-04
54 LP Gas (SX) Pilot Orifice**	234-45869-02	234-45869-02	234-45869-02	234-45869-02
LP to Natural Gas Conversion Kit (Norm Alt.)	265-46493-23 †	265-46493-24 †	265-46493-25 †	265-46493-32 †
LP to Natural Gas Conversion Kit (High Alt.)	265-46493-29 †	265-46493-30 †	265-46493-31 †	265-46493-35 †
LP to Natural Gas Conversion Kit (Norm Alt.)	265-46493-49 ‡	265-46493-50 ‡	265-46493-51 ‡	265-46493-52 ‡
LP to Natural Gas Conversion Kit (High Alt.)	265-46493-57 ‡	265-46493-58 ‡	265-46493-59 ‡	265-46493-60 ‡

*Applies to all warranties

**Inner door gasket kit recommended

***Ordering a complete burner assembly may increase delivery time.

Please order the specific component required for the quickest delivery.

▲ Order with item 13

▲▲ Order with item 14

† Serial # Prior to FF12046598.

‡ Serial # FF12046598 and after.

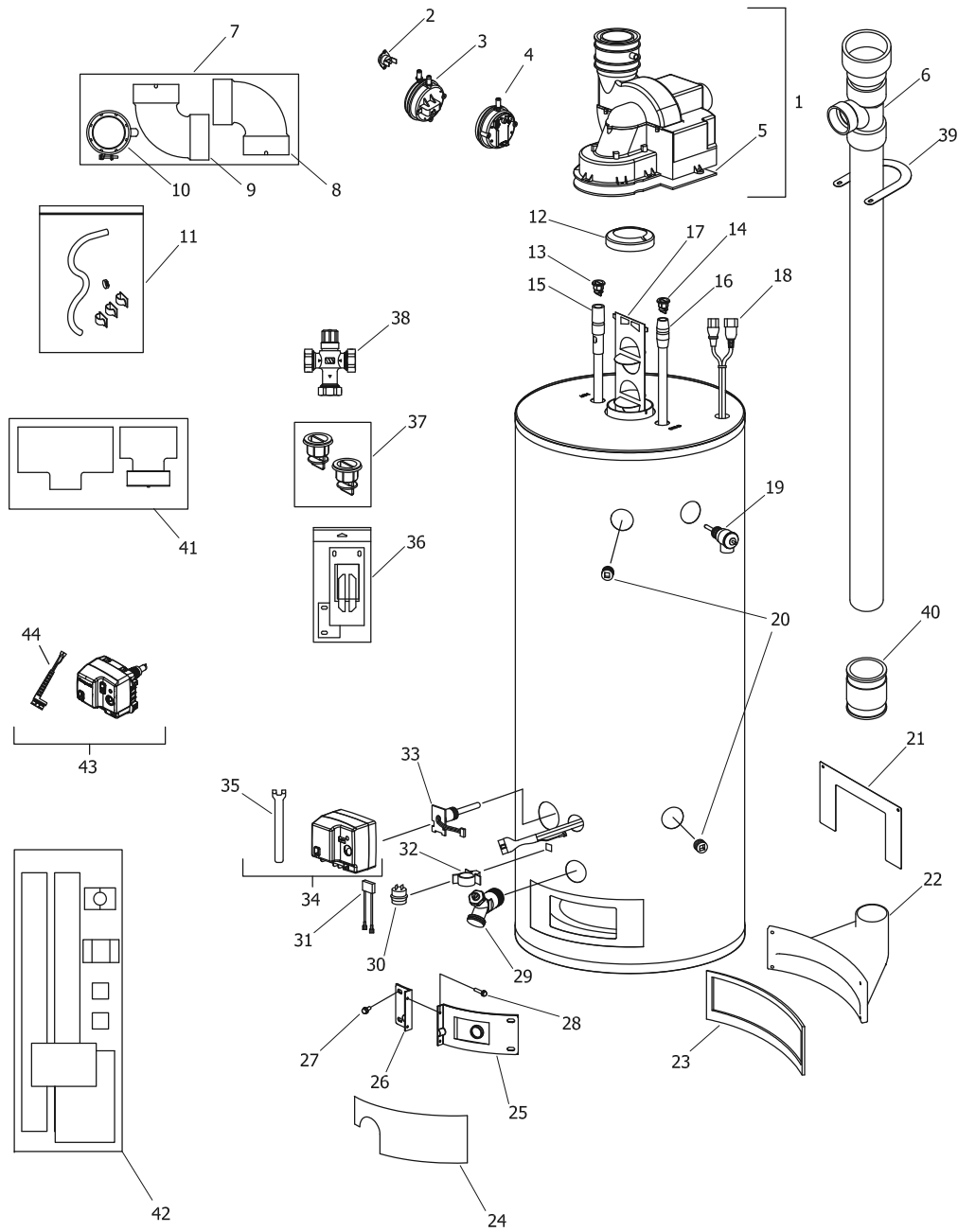
■ Serial # FF12046598 to GF13535156.

◆ Serial # GF13535157 and after.

¹ Prior to serial #GK14048618.

² Serial # GK14048618 and after.





Item	Description	Model	Model
		PDX65S65F(B*N, S*X, C*X)	PDX75S70F(B*N, S*X, C*X)
1	Blower Assembly (Normal Alt.)	265-46719-00 †	265-46719-00 †
	Blower Assembly (Normal alt.)	265-47387-00 ‡	265-47387-00 ‡
	Blower Assembly (High Alt.)	243-46881-00 †	243-46881-00 †
	Blower Assembly (High alt.)	265-47387-00 ■	265-47387-00 ■
	Blower Assembly (High Alt.)	239-48528-00 2	239-48528-00 2
2	Blower Temperature Switch	239-48752-00	239-48752-00
3	Pressure Switch N.O. (Normal Alt.) Exhaust	239-46880-01 †	239-46880-01 †
	Pressure Switch N.O. (High Alt.) Exhaust	239-46880-02 †	239-46880-02 †
	Pressure Switch N.O. (Normal Alt.) Exhaust	239-48058-01 ‡	239-48058-01 ‡
	Pressure Switch N.O. (High Alt.) Exhaust	239-48058-02 ‡	239-48058-02 ‡
4	Pressure Switch N.C. Intake	239-46879-01 †	239-46879-01 †
5	Blower Gasket	239-45866-00	239-45866-00
6	Tee and vent pipe Assembly	239-46823-02 †	239-46823-03 †
	Tee and vent pipe Assembly	239-47622-03 ‡	239-47622-04 ‡
7	Vent Adapter with Vent Terminal	239-48781-00	239-48781-00
8	Intake Vent Terminal Elbow	239-40579-00	239-40579-00
9	Exhaust Vent Terminal Elbow	239-40579-00	239-40579-00
10	Exhaust Adapter	239-45639-00	239-45639-00
11	Condensate Hose Kit (Optional)	239-45875-00	239-45875-00
12	Flue Reducer	243-42572-00	---
13	Heat Trap Insert (Outlet)	239-45167-00	239-45167-00
14	Heat Trap Insert (Inlet)	239-45073-00	239-45073-00
15	Hot Water Outlet Anode Magnesium ▲	224-47776-08	224-47776-07
	Aluminum ▲ (optional)	224-32999-06	224-32999-06
	A420 Aluminum ▲ # (optional)	224-49560-08	224-49560-08
16	Cold Water Inlet Dip Tube Polypropylene ▲ ▲	229-45398-02	229-45398-07
	Polysulfone (NC Code) ▲ ▲	229-45092-03	229-45092-04
17	Flue Baffle	239-45373-00	239-42899-00
18	Blower Harness	239-45617-02	239-45617-02
19	T&P Relief Valve	230-40594-02	230-40594-02
20	3/4 NPT Plug	239-11638-00	239-11638-00
21	Air Intake Boot Escutcheon	243-46922-00 †	243-46922-00 †
22	Air Intake Boot	239-46756-02 †	239-46756-03 †
	Air Intake Boot	239-47514-20 ‡	239-47514-22 ‡
23	Air Intake Boot Gasket	239-41067-00 †	239-41067-00 †
	Air Intake Boot Gasket	239-47832-00 ‡	239-47832-00 ‡
24	Outer Door	243-43962-00	243-43962-00
25	Right Side Inner Door	239-45642-20 †	239-45642-20 †
	Right Side Inner Door	239-45642-20 ‡	239-47504-22 ‡
26	Left Side Inner Door	239-43968-20	239-43968-20
27	Screw-#10-12 x 3/4 HWH	239-44113-00	239-44113-00

*Applies to all warranties

**Inner door gasket kit recommended

***Ordering a complete burner assembly may increase delivery time.

Please order the specific component required for the quickest delivery.

▲ Order with item 13

▲▲ Order with item 14

A420 Anode may need to be cut to length

† Serial # Prior to FF12046598.

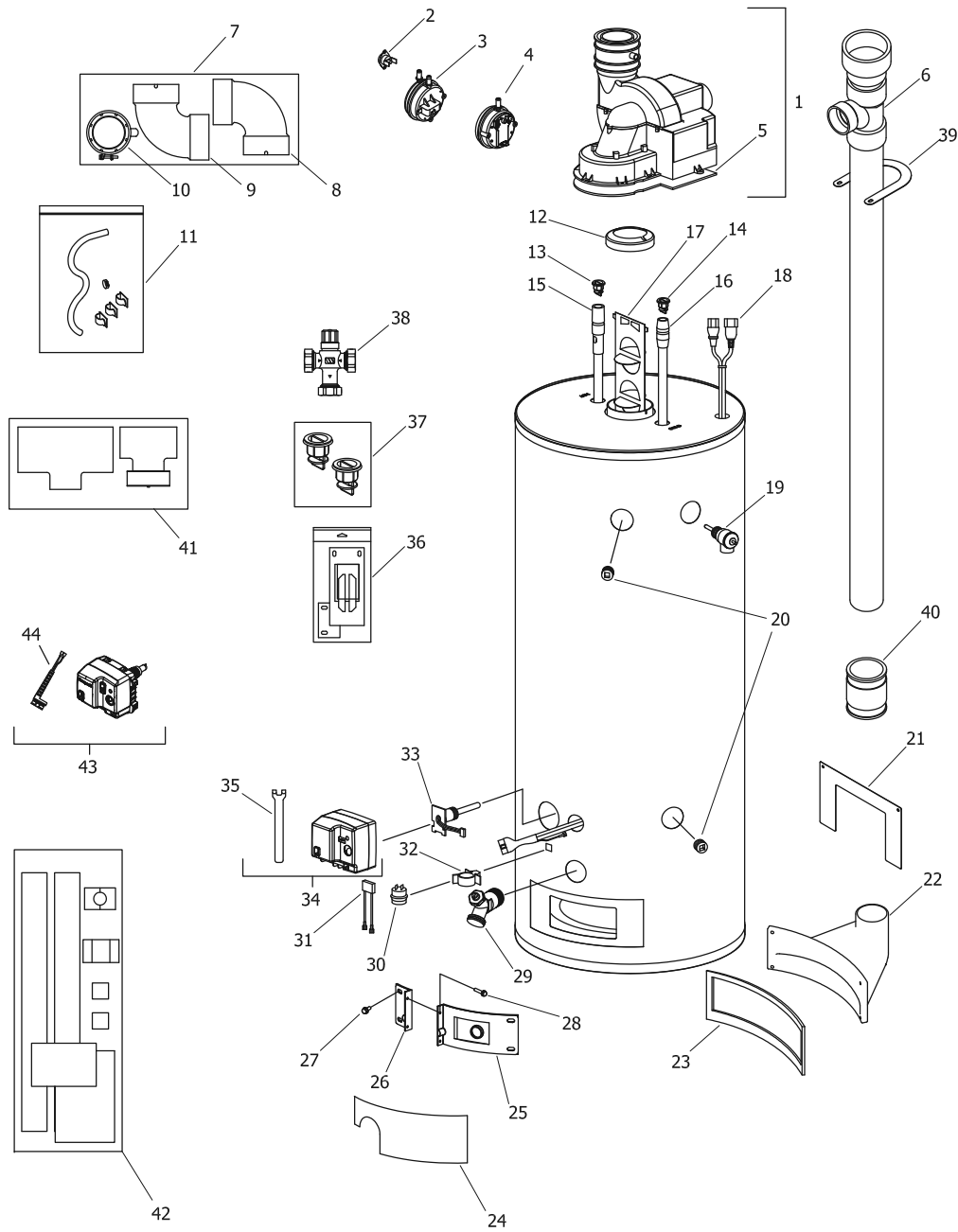
‡ Serial # FF12046598 and after.

■ Serial # FF12046598 to GF13535156.

◆ Serial # GF13535157 and after.

¹ Prior to serial # GK14048618.

² Serial # GK14048618 and after.

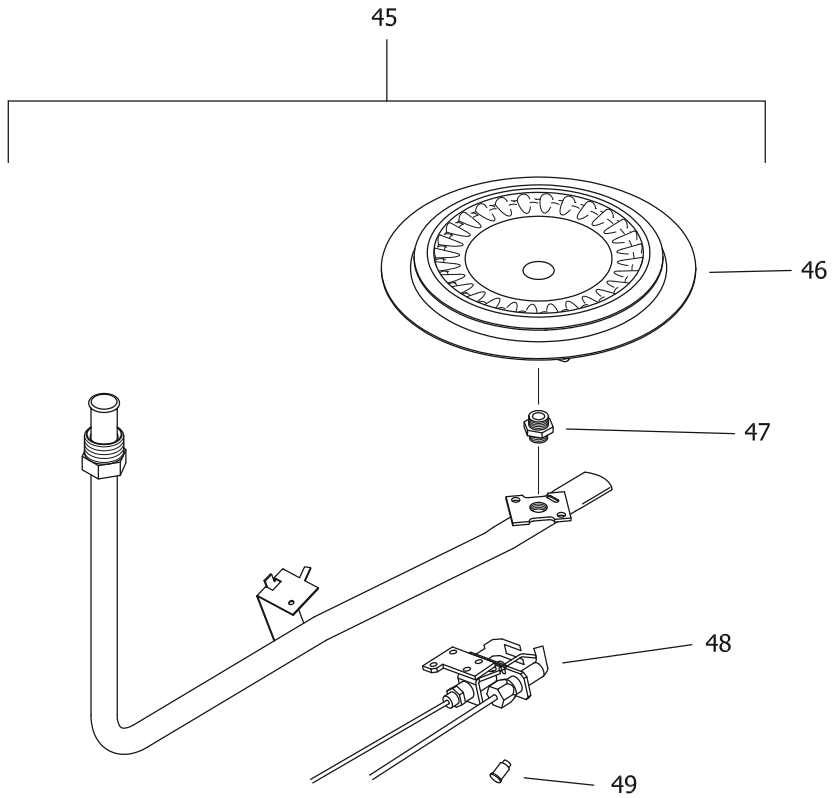


Item Description	Model	Model
	PDX65S65F(B*N, S*X, C*X)	PDX75S70F(B*N, S*X, C*X)
28 Screw-#8-18 x 3/4 HWH	239-44195-00	239-44195-00
29 Brass Drain Valve	265-42351-02	265-42351-02
30 Flammable Vapor Sensor	239-45560-00	239-45560-00
31 Sensor Harness	239-45620-00	239-45620-00
32 Flammable Vapor Sensor Clip	239-45648-00	239-45648-00
33 Thermal Well	233-45651-01 †	233-45651-02 †
Thermal Well	233-45651-02 ‡	233-45651-02 ‡
34 Gas Valve Natural Gas◆◆◆	239-45613-02	239-45613-02
Gas Valve LP Gas◆◆◆	239-45614-02	239-45614-02
35 Gas Valve Service Tool	239-45991-00	239-45991-00
36 Inner Door Gasket Kit	239-44078-00 †	239-44078-00 †
Inner Door Gasket Kit	239-44078-00 ‡	239-47792-00 ‡
37 Heat Trap Insert Kit	265-45419-00	265-45419-00
38 ASSE Approved Mixing Valve (Optional)	239-43740-01	239-43740-01
39 Bracket-Vertical intake	239-47671-01 ‡	239-47671-01 ‡
40 Coupling-2 X 2	239-47850-00 ‡	239-47850-00 ‡
41 Air Inlet Relief Device	239-48392-00	239-48392-00
42 OSP-Kit-Insulation	---	---
43 Gas Valve Natural Gas◆◆	239-48795-04	239-48795-04
Gas Valve LP Gas◆◆	239-48796-04	239-48796-04
44 Flammable Vapor Sensor Harness◆◆	239-49791-00	239-49791-00

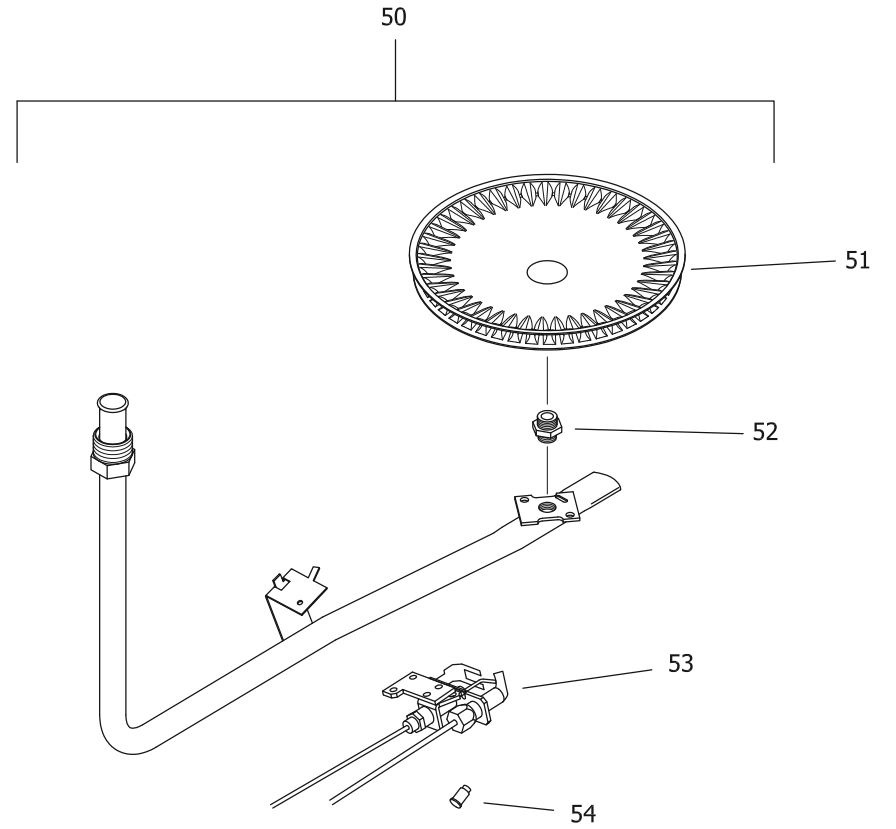
*Applies to all warranties
 **Inner door gasket kit recommended
 ***Ordering a complete burner assembly may increase delivery time.
 Please order the specific component required for the quickest delivery.
 ▲ Order with item 13
 ▲▲ Order with item 14

† Serial # Prior to FF12046598.
 ‡ Serial # FF12046598 and after.
 ■ Serial # FF12046598 to GF13535156.
 ◆ Serial # GF13535157 and after.
 ◆◆ Serial # starting with K or later.
 ◆◆◆ Serial # starting with J or sooner.

¹ Prior to serial #G K14048618.
² Serial # GK14048618 and after.



NATURAL GAS (BN) BURNER ASSEMBLY



LP GAS (SX) BURNER ASSEMBLY

Item Description	Model PDX65S65F(B*N, S*X, C*X)	Model PDX75S70F(B*N, S*X, C*X)
Natural Gas BN Burner Assembly		
45 Nat. Gas Burner Assembly Complete***	265-47439-09-27 †	265-45652-05-25 †
Nat. Gas Burner Assembly Complete***	265-47784-03-27 ‡	265-47785-01-25 ‡
Nat. Gas Burner Assembly Complete***	265-47784-03-27 ◆	265-47785-01-25 ◆
46 Nat. Gas (BN) Burner**	228-42506-00	228-47000-00
47 Nat. Gas (BN) Main Burner Orifice**	234-41034-27	234-41034-25
Nat. Gas (BN) Main Burner Orifice**	234-41034-27 ◆	234-41034-25 ◆
Nat. Gas (BN)High Altitude 2001 Ft. to 5000 Ft.**	234-41034-29	234-41034-27
Nat. Gas (BN)High Altitude 2001 Ft. to 5000 Ft.**	234-41034-29 ◆	234-41034-27 ◆
Nat. Gas (BN)High Altitude 5001 Ft. to 8000 Ft.**	234-41034-31	234-41034-30
Nat. Gas (BN)High Altitude 5001 Ft. to 8000 Ft.**	234-41034-31	234-41034-30
Nat. Gas (BN)High Altitude Over 8000 Ft.**	234-41034-31	234-41034-30
48 Nat. Gas Pilot Assembly**	233-45653-05	233-45653-05
49 Nat. Gas Pilot Orifice**	234-45869-01	234-45869-01
LP Gas (SX) Titanium Stabilized Stainless Steel Burner Assembly (Replacement for LP Gas (CX) Cast Iron Burner)		
50 LP Gas Burner Assembly Complete***	265-47440-16-44 †	265-47119-04-42 †
LP Gas Burner Assembly Complete***	265-47376-02-44 ‡	265-47376-03-42 ‡
51 LP Gas (SX) Burner**	228-47000-00	228-47000-00
52 LP Gas (SX) Main Burner Orifice**	234-47064-44	234-47064-42
LP Gas (SX) High Altitude 2001 Ft. to 5000 Ft.**	234-47064-47	234-47064-44
LP Gas (SX) High Altitude 5001 Ft. to 8000 Ft.**	234-47064-48	234-47064-45
LP Gas (SX) High Altitude Over 8000 Ft.**	234-47064-49	234-47064-47
53 LP Gas (SX) Pilot Assembly**	233-45653-04	233-45653-04
54 LP Gas (SX) Pilot Orifice**	234-45869-02	234-45869-02
LP to Natural Gas Conversion Kit (Norm Alt.)	265-46493-33 †	265-46493-34 †
LP to Natural Gas Conversion Kit (High Alt.)	265-46493-36 †	265-46493-37 †
LP to Natural Gas Conversion Kit (Norm Alt.)	265-46493-53 ‡	265-46493-51 ‡
LP to Natural Gas Conversion Kit (High Alt.)	265-46493-61 ‡	265-46493-62 ‡

*Applies to all warranties

**Inner door gasket kit recommended

***Ordering a complete burner assembly may increase delivery time.

Please order the specific component required for the quickest delivery.

▲ Order with item 13

▲▲ Order with item 14

† Serial # Prior to FF12046598.

‡ Serial # FF12046598 and after.

■ Serial # FF12046598 to GF13535156.

◆ Serial # GF13535157 and after.

¹ Prior to serial #GK14048618.

² Serial # GK14048618 and after.



BRADFORD WHITE[®]

W A T E R H E A T E R S

Ambler, PA

For U.S. and Canada field service,
contact your professional installer or
local Bradford White sales representative.

Sales/800-523-2931
Fax/215-641-1670
Parts Fax/215-641-2180

Technical Support/800-334-3393
Fax/269-795-1089

Warranty/800-531-2111
Fax/269-795-1089

International:
Telephone/215-641-9400
Telefax/215-641-9750



BRADFORD WHITE-CANADA[®] INC.

Mississauga, ON

Sales/866-690-0961
905-238-0100

Fax/905-238-0105

Technical Support/800-334-3393

Email

parts@bradfordwhite.com
techserv@bradfordwhite.com

www.bradfordwhite.com