



RESIDENTIAL REPLACEMENT PARTS LIST
Super High Efficiency
Atmospheric Vent Gas Models



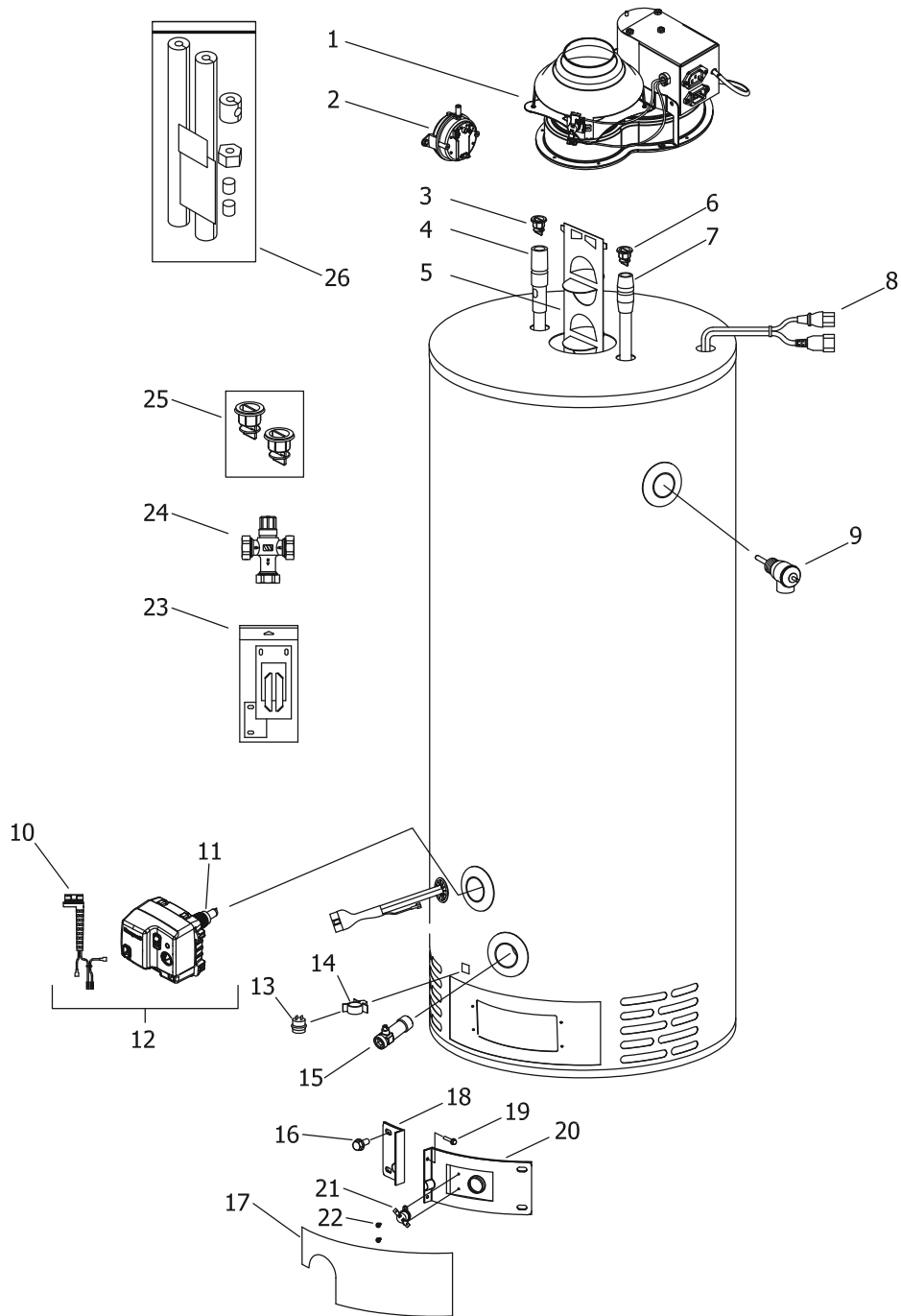
DEFENDER
SAFETY SYSTEM[®]

Includes Hydrojet[®]
Total Performance System

Effective: December, 2012
ECO 7683

**NOTE: BOTH MODEL AND SERIAL
NUMBERS ARE REQUIRED FOR
ORDERING REPLACEMENT PARTS**

Dimensions and specifications
subject to change without notice.



Item	Description	Model	Model
		HE440S*F(BN,SX)	HE450S*F(BN,SX)
1	Blower Complete	239-48697-00	239-48697-00
	Blower Complete High Altitude	243-50204-00	243-50204-00
2	Pressure Switch	239-48754-01	239-48754-01
	Pressure Switch High Altitude	239-48754-02	239-48754-02
3	Heat Trap Insert (outlet)	239-45167-00	239-45167-00
4	Hot Water Outlet Anode Magnesium ▲	224-47776-09	224-47776-10
	Hot Water Outlet Aluminum ▲ (Optional)	224-47778-09	224-47778-10
	Hot Water Outlet A420 Aluminum ▲# (Optional)	224-49560-04	224-49560-04
5	Restrictor Baffle	243-49081-00	243-49082-00
6	Heat Trap Insert (inlet)	239-45073-00	239-45073-00
7	Cold Water Inlet Dip Tube Polypropylene ▲ ▲	229-39625-20	229-39625-20
	Cold Water Inlet Polysulfone (NC Code) ▲ ▲	229-39628-20	229-39628-20
8	Wire Harness	239-45617-01	239-45617-02
9	T&P Relief Valve	230-40594-02	230-40594-02
10	Gas Valve Wire Harness	239-50066-00	239-50066-00
11	Gas Valve	222-48795-02	222-48795-02
12	Gas Valve Assy Kit	239-48795-02	239-48795-02
13	Flammable Vapor Sensor	239-45560-00	239-45560-00
14	Flammable Vapor Sensor Clip	239-45648-00	239-45648-00
15	Brass Drain Valve	265-42351-02	265-42351-02
16	Screw-#10-12 x 3/4 HWH	239-44113-00	239-44113-00
17	Outer Door	243-43962-00	243-43962-00
18	Left Side Inner Door Complete**	239-43968-18	239-43968-20
19	Screw-#8-18 x 3/4 HWH	239-44195-00	239-44195-00
20	Right Side Inner Door Complete**	239-43963-06	239-43963-09
21	Resettable Thermal Switch	239-43676-01	239-43676-01
22	Screw-#6-20 x 3/8 PHCR	239-43967-00	239-43967-00
23	Inner Door Gasket Kit	239-44078-00	239-44078-00
24	ASSE Approved Mixing Valve (optional)	239-43740-01	239-43740-01
25	Kit-Heat Trap Insert	265-45419-00	265-45419-00
26	Insulation Kit	239-48949-00	239-48949-00
	LP to Natural Gas Conversion Kit (Norm Alt.)	265-46493-89	265-46493-90
	LP to Natural Gas Conversion Kit (High Alt.)	265-46493-91	265-46493-92

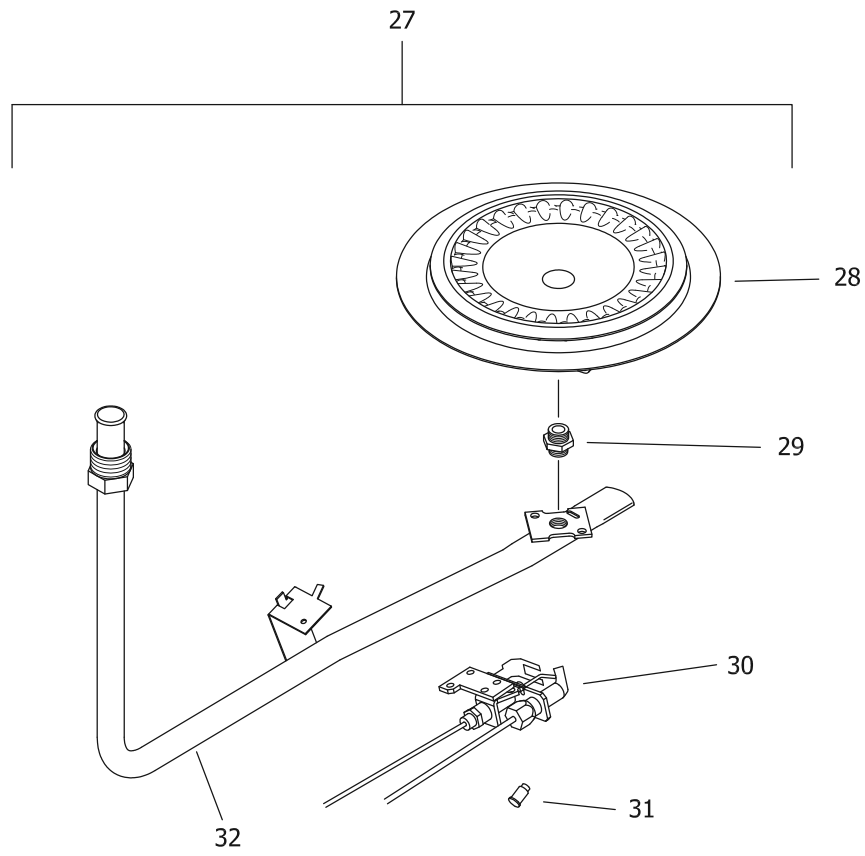
*Applies to all warranties

**Inner door gasket kit recommended

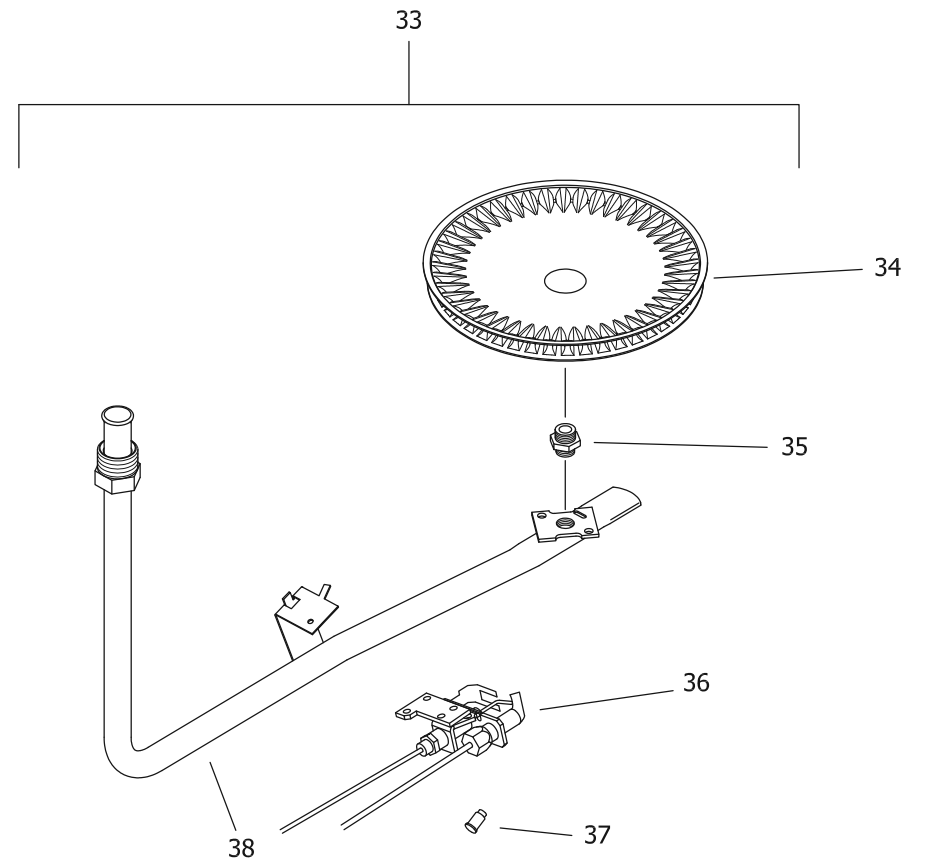
A420 Anode may need to be cut to length

▲ Order with item 3

▲ ▲ Order with item 6



NATURAL GAS (BN) BURNER ASSEMBLY



LP GAS (SX) BURNER ASSEMBLY

LP GAS (SX) BURNER ASSEMBLY TO REPLACE LP GAS (CX) BURNER ASSEMBLY

Item	Description	Model	Model
		HE440S*(BN,SX)	HE450S*(BN,SX)
Natural Gas (BN) Burner Assembly			
27	Nat Gas Burner Assembly Complete***	265-45652-02-33	265-45652-04-33
28	Nat. Gas (BN) Burner**	228-42506-00	228-42506-00
29	Nat. Gas (BN) Main Burner Orifice**	234-41034-33	234-41034-33
	Nat. Gas (BN) High Altitude 2001 Ft. to 5000 Ft.**	234-41034-36	234-41034-36
	Nat. Gas (BN) High Altitude 5001 Ft. to 8000 Ft.**	234-41034-36	234-41034-36
30	Nat. Gas Pilot Assembly**	233-45653-05	233-45653-05
31	Nat. Gas Pilot Orifice**	234-45869-01	234-45869-01
32	Nat. Gas Feedline**	233-45615-02	233-45615-04
LP Gas (SX) Titanium Stabilized Stainless Steel Burner Assembly			
33	LP Gas Burner Assembly Complete***	265-47316-02-50	265-47316-03-50
34	LP Gas (SX) Burner**	228-46964-00	228-46964-00
35	LP Gas (SX) Main Burner Orifice**	234-47064-50	234-47064-50
	LP Gas (SX) High Altitude 2001 Ft. to 5000 Ft.**	234-47064-51	234-47064-51
	LP Gas (SX) High Altitude 5001 Ft. to 8000 Ft.**	234-47064-52	234-47064-52
36	LP Gas Pilot Assembly**	233-45653-05	233-45653-05
37	LP Gas Pilot Orifice**	234-45869-02	234-45869-02
38	LP Gas Feedline**	233-47109-02	243-47316-03

**Inner door gasket kit recommended

***Ordering a complete burner assembly may increase delivery time. Please order the specific component required for the quickest delivery.



BRADFORD WHITE®

W A T E R H E A T E R S

Ambler, PA

For U.S. and Canada field service,
contact your professional installer or
local Bradford White sales representative.

Sales/800-523-2931
Fax/215-641-1670
Parts Fax/215-641-2180

Technical Support/800-334-3393
Fax/269-795-1089

Warranty/800-531-2111
Fax/269-795-1089

International:
Telephone/215-641-9400
Telefax/215-641-9750



BRADFORD WHITE-CANADA® INC.

Mississauga, ON

Sales/866-690-0961
905-238-0100

Fax/905-238-0105

Technical Support/800-334-3393

Email

parts@bradfordwhite.com
techserv@bradfordwhite.com

www.bradfordwhite.com