

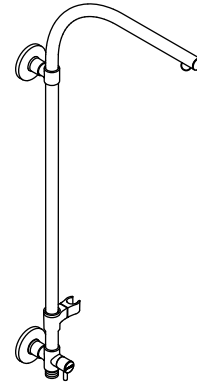
Features

- For use in bath and shower installations
- Designed for new installations or retrofit to replace an existing installed shower arm
- Incorporates two position diverter for Rainhead showerhead or handshower operation
- For use with temperature/volume control mixing valve (not supplied)
- Check valve installed in diverter valve for backflow prevention
- For use with Kohler Katalyst®, Rainhead, handshowers, and shower hoses

Codes/Standards Applicable

Specified model meets or exceeds the following:

- ADA
- ICC/ANSI A117.1
- ASME A112.18.1/CSA B125.1



Colors/Finishes

- CP: Polished Chrome
- Other: Refer to Price Book for additional colors/finishes
- NA: None applicable

Specified Model

Model	Description	Colors/Finishes	
K-45209	Bath/shower column – arched (shown)	<input type="checkbox"/> CP	<input type="checkbox"/> Other_____
K-45210	Bath/shower column – beam	<input type="checkbox"/> CP	<input type="checkbox"/> Other_____

Optional Accessories			
K-13688	8" Contemporary Round Katalyst Rainhead	<input type="checkbox"/> CP	<input type="checkbox"/> Other_____
K-13689	10" Contemporary Round Katalyst Rainhead	<input type="checkbox"/> CP	<input type="checkbox"/> Other_____
K-13692	8" Traditional Round Katalyst Rainhead	<input type="checkbox"/> CP	<input type="checkbox"/> Other_____
K-13695	8" Contemporary Square Katalyst Rainhead	<input type="checkbox"/> CP	<input type="checkbox"/> Other_____
K-8593	Mastershower 72" metal shower hose	<input type="checkbox"/> CP	<input type="checkbox"/> Other_____
K-9514	Mastershower 60" metal shower hose	<input type="checkbox"/> CP	<input type="checkbox"/> Other_____
K-45981	72" Ribbon shower hose	<input type="checkbox"/> CP	<input type="checkbox"/> Other_____
K-45982	60" Ribbon shower hose (cont.)	<input type="checkbox"/> CP	<input type="checkbox"/> Other_____

Product Specification

The bath/shower column shall be used in bath and shower installations. Column shall be designed for new installations or retrofit to replace an existing shower arm. Column shall incorporate two position diverter for Rainhead showerhead or handshower operation. Column shall be used with temperature/volume control mixing valve (not supplied). Column shall have check valve installed in diverter valve for backflow prevention. Column shall be for use with Kohler Katalyst Rainheads, handshowers, and shower hoses. Column shall be Kohler Model K-_____.

HYDRORAIL® -R

(cont.) Optional Accessories

1194630	Deep roughing-in kit		<input type="checkbox"/> NA
1187917	Shallow roughing-in kit		<input type="checkbox"/> NA
1194302	Large escutcheon/mounting collar kit	<input type="checkbox"/> CP	<input type="checkbox"/> Other_____

Installation Notes

Install this product according to the installation guide.

ADA compliant when installed to the specific requirements of these regulations.

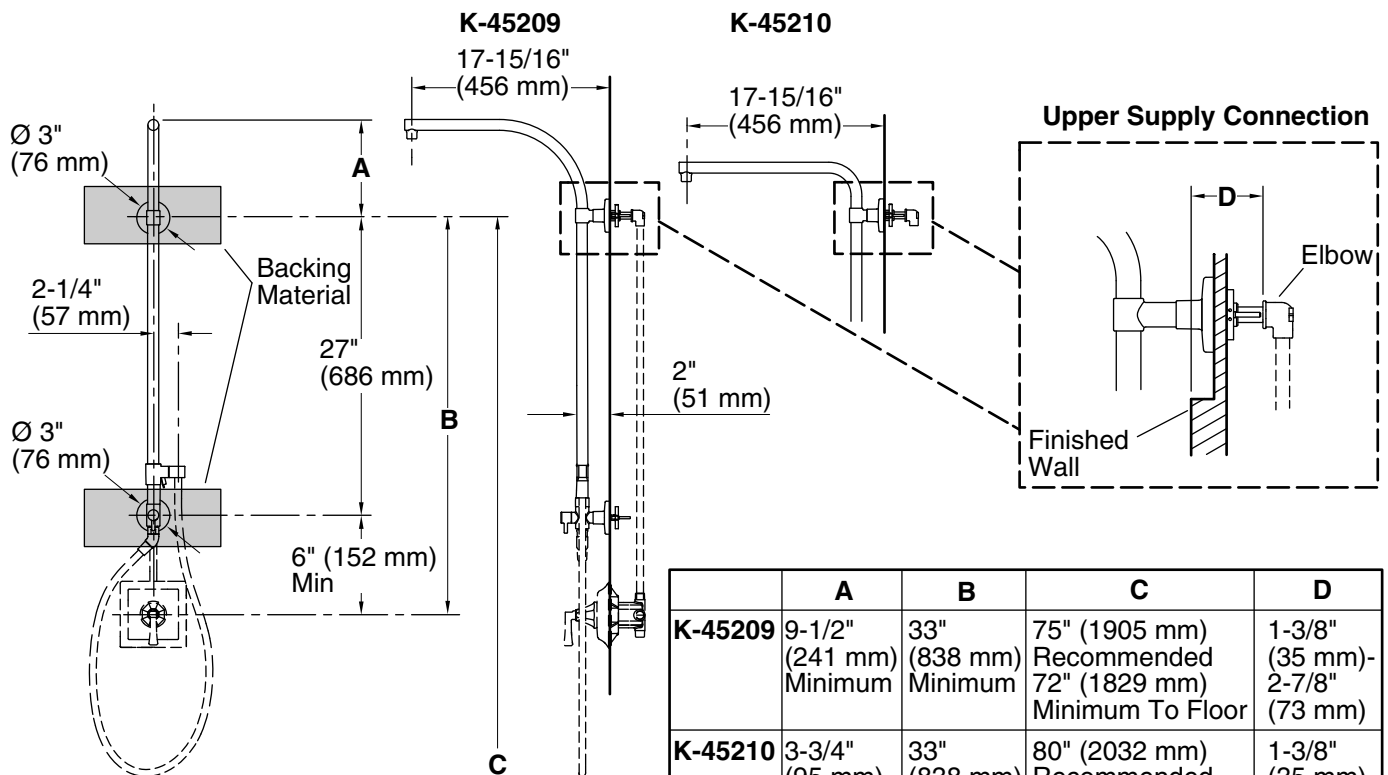
IMPORTANT! To ensure correct product selection, verify the following dimensions:

- from the ceiling to the center of the existing shower arm at the finished wall surface (Dimension **A**)
- from the center of the existing shower arm to the center of the mixing valve trim (Dimension **B**)
- from the shower floor to the center of the existing shower arm at the finished wall surface (Dimension **C**)
- from the supply elbow to the finished wall surface (Dimension **D**)

If the distance from the elbow to the finished wall surface is between 2-7/8" (73 mm) to 4" (102 mm), order the 1194630 deep roughing-in kit. (Dimension **D**)

If the distance from the elbow to the finished wall surface is less than 1-3/8" (35 mm), order the 1187917 shallow roughing-in kit. (Dimension **D**)

A 3" (76 mm) escutcheon/mounting collar is supplied to fit a 1" (25 mm) to 1-1/4" (32 mm) supply connection hole diameter. If the supply connection hole diameter is between 1-1/4" (32 mm) to 2-1/4" (57 mm), order the 1194302 large escutcheon/mounting collar kit.



NOTE: Valve trim and hose illustrated for dimensioning only, not included in the product.

	A	B	C	D
K-45209	9-1/2" (241 mm) Minimum	33" (838 mm) Minimum	75" (1905 mm) Recommended 72" (1829 mm) Minimum To Floor	1-3/8" (35 mm)- 2-7/8" (73 mm)
K-45210	3-3/4" (95 mm) Minimum	33" (838 mm) Minimum	80" (2032 mm) Recommended 75" (1905 mm) Minimum To Floor	1-3/8" (35 mm)- 2-7/8" (73 mm)

Product Diagram