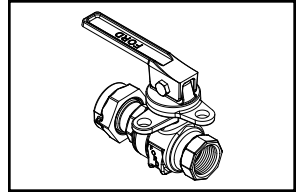
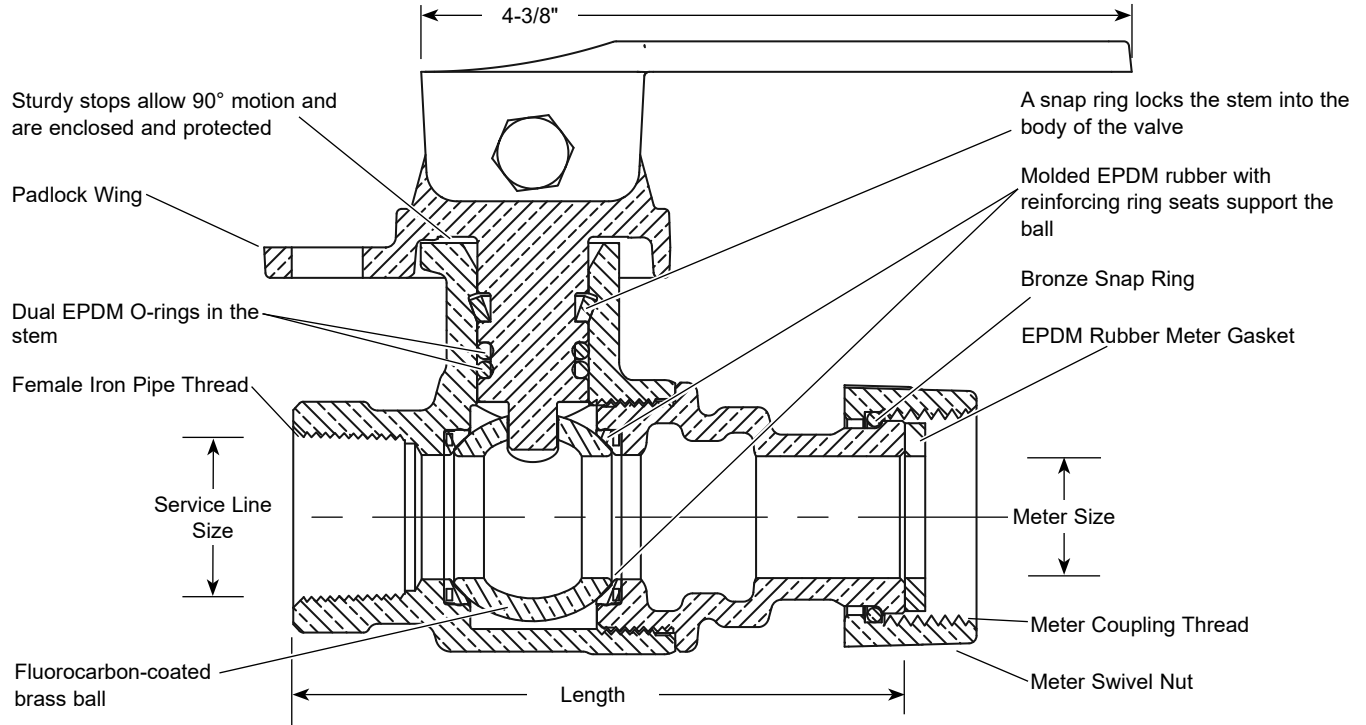


SUBMITTAL INFORMATION

Straight Ball Meter Valves - (B13-xxxW-HB-34-NL style)



FEMALE IRON PIPE THREAD BY METER SWIVEL NUT VALVE WITH HANDLE



VALVE SIZE	SERVICE LINE SIZE	METER NUT SIZE	LENGTH	APPROX. WT. LBS	PART NUMBER	✓ SUBMITTED ITEM(S)
3/4"	3/4"	5/8" x 3/4" or 3/4"	3-49/64"	2.1	B13-332W-HB-34-NL	
1"	1"	1"	4-25/64"	2.9	B13-444W-HB-34-NL	

FEATURES

- All brass that comes in contact with potable water conforms to AWWA Standard C800 (ASTM B584, UNS C89833)
- The product has the letters "NL" cast into the main body for lead-free identification
- Certified to NSF/ANSI Standard 61 and NSF/ANSI Standard 372 where applicable
- Brass components that do not come in contact with potable water conform to AWWA Standard C800 (ASTM B62 and ASTM B584, UNS C83600, 85-5-5-5)
- Valve is non-directional and is watertight with flow in either direction
- Ends are integral or secured with adhesive to prevent unintentional disassembly
- 300 PSI working pressure
- Handle provides easy cycling

The Ford Meter Box Company considers the information in this submittal form to be correct at the time of publication. Item and option availability, including specifications, are subject to change without notice. Please verify that your product information is current.



The Ford Meter Box Company, Inc.

P.O. Box 443, Wabash, Indiana U.S.A. 46992-0443
 Phone: 260-563-3171 / Fax: 800-826-3487
 Overseas Fax: 260-563-0167
 www.fordmeterbox.com

10/2016

Submitted By: