

WINGITS®

PURE Elegance™

30" Folding Tub Bench

Model:
PUTB30

Part Numbers:

PUTB30WH
30" Tub Bench
Glossy Finish, White

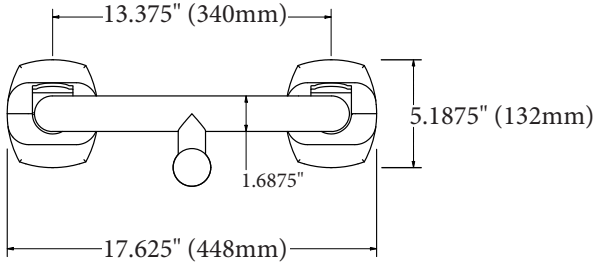


Features:

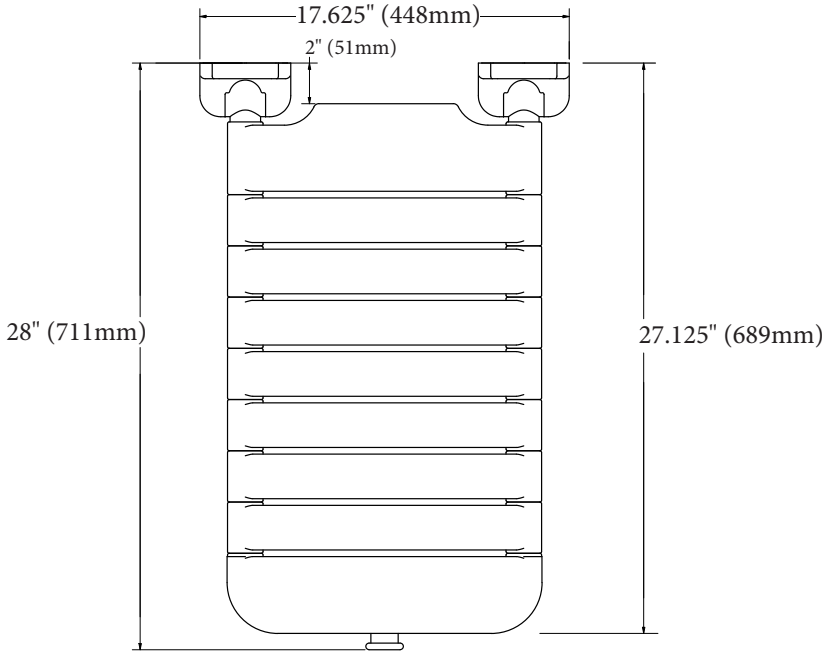
- Exceeds minimum 250 lbs. load requirement per the 2010 ADAAG and 2017 ANSI Standards
- Beautifully designed and warm to the touch
- Heavy Nylon Antimicrobial Sheath Exterior with Directional Slats
- Folds up neatly after use
- Stainless Steel Mount Plate and Hinge

MECHANICAL DATA
Height: 5.1875 (132mm) Width: 15" (381mm) Depth: 28" (711mm)
PRODUCT COMPOSITION
2.5mm vinyl 78ShA coating Ø33 extrusion. Seat stave is polyamide 6 (PA6). Hose support is steel (FE360/Sched 40).
MODALITY
Use: Wall Installation. Load Capability: 450 lbs. (204kg)*
INSTALLATION
WINGITS® PURE Elegance™ Folding Tub Benches are designed to hold live loads and must be installed into Adequate Structural Blocking . The reinforcement should extend adequately past the overall width and height of the unit being installed.
CERTIFICATIONS
WINGITS® PURE Elegance™ Folding Tub Benches meet or exceed the applicable requirements of the following standards: Bioserve Biocompatibility DIN EN ISO 10993, BioCote® Antibacterial coat ISO 22196
RECOMMENDED INTEGRATION
Installation into Adequate Structural Blocking is required.

Front



Top



Side

