



A Moen Incorporated Brand

S P E C I F I C A T I O N S H E E T

DESCRIPTION

- Metal construction with various finishes identified by suffix
- Includes hose and spray with Hydrolock® quick connect system
- Hose reach 36", hose length 48"
- Chrome finish, white spray, white spray escutcheon
- 1/2" IPS connections
- Six (6) individual boxes per master carton

OPERATION

- Lever-style handles
- Hot side: Turn counterclockwise to open (clockwise to close)
- Cold side: Turn clockwise to open (counterclockwise to close)
- Will operate with less than 5 lbs. of torque
- No grasping motion required to operate the faucet handles

FLOW

- Spout flow is limited to 2.0 gpm max (7.6L/min) at 60 psi
- Diverted flow sidespray limited to 2.0 gpm max (7.6L/min) at 60 psi

CARTRIDGE

- Ceramic disc technology
- Non-metallic, non-ferrous, and brass material
- Single body construction for easy replacement

STANDARDS

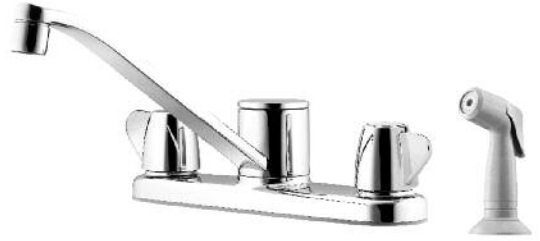
- Third party certified to ASME A112.18.1/CSA B125.1 and all applicable requirements referenced therein including NSF 61/9
- Contains no more than 0.25% weighted average lead content
- Complies with California Proposition 65 and with the Federal Safe Drinking Water Act

- **ADA** for lever handle

- Features red/blue hot/cold temperature indicators

WARRANTY – RESIDENTIAL, COMMERCIAL

- Ten year limited warranty against defects in materials and manufacturing workmanship
- Refer to the installation instructions enclosed with each CFG product or call 1-888-450-4910 for complete warranty information



Two Handle Kitchen Faucet

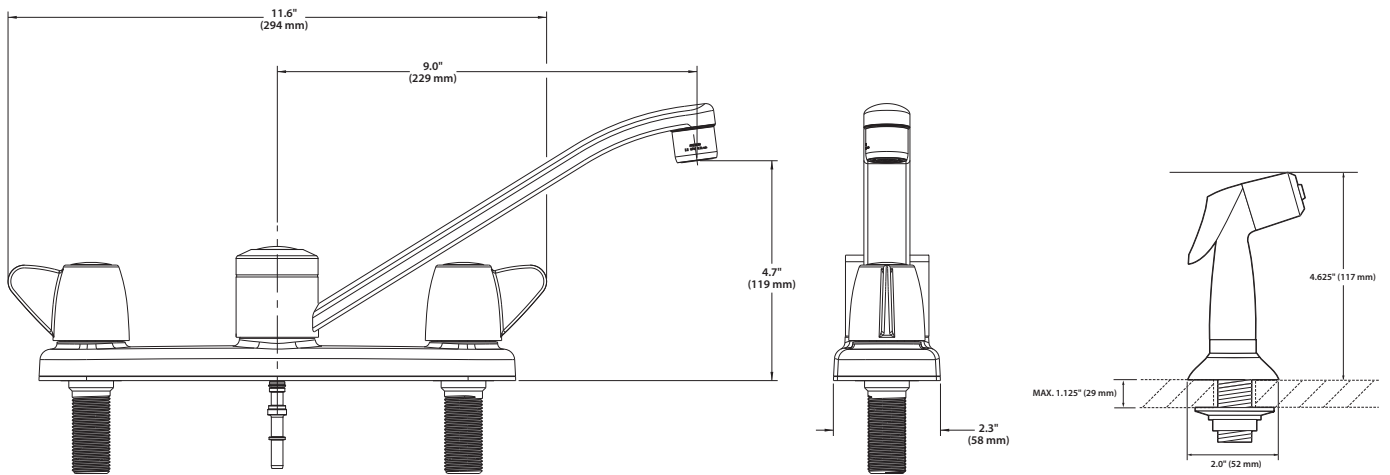
**Model: CA40613 series
with side spray**

**Model: CA40611 series
less side spray**



CRITICAL DIMENSIONS

- This faucet designed to be installed through 4 holes, 1-1/4" minimum diameter, 8" centers
- Maximum deck thickness 1-1/8" (28.6mm)



CRITICAL DIMENSIONS

(DO NOT SCALE)

The use of aerator part 116711 reduces flow to a maximum of 1.5 gpm (5.7L/min.)