



A Moen Incorporated Brand

*There is more than 1 version of this model.  
Page down to identify the version you have.*

**Model:**  
**CA41211 2H Lav with 50/50 waste**  
**CA41213 2H Lav less waste**



# Capstone®



NSF



UPC®



## Two Handle Lavatory

### DESCRIPTION

- Metal construction with various finishes identified by suffix
- 1/2" IPS connections
- Includes 50-50 pop-up type waste assembly
- Six (6) individual boxes per master carton
- Handles withstand aggressive scrubbing cleaners

### OPERATION

- Lever style handle
- Hot side: Turn counterclockwise to open (clockwise to close)
- Cold side: Turn clockwise to open (counterclockwise to close)
- Will operate with less than 5 lbs. of torque
- No grasping motion required to operate the faucet handles

### FLOW

- Water usage is limited to these maximum flow rates as indicated by the corresponding product markings
  - 1.2 gpm max (4.5L/min) at 60 psi
  - 1.5 gpm max (5.7L/min) at 60 psi

### CARTRIDGE

- Ceramic disc technology
- Non-metallic, non-ferrous, and brass material
- Single body construction for easy replacement

### STANDARDS

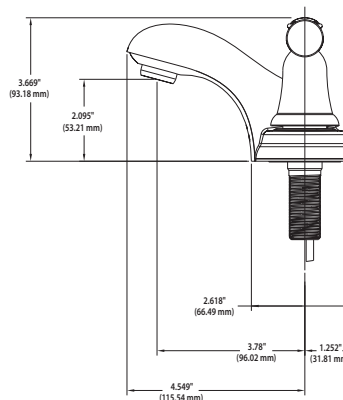
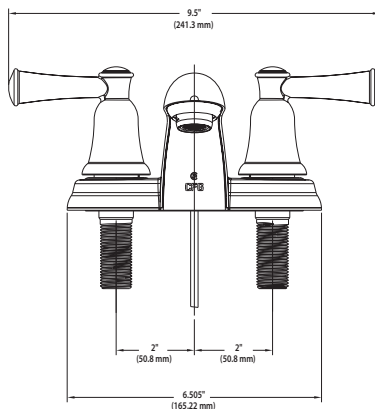
- Third party certified to ASME A112.18.1/CSA B125.1, NSF 61/9 & 372, and all applicable requirements referenced therein, the Federal Safe Drinking Water Act, California Proposition 65, Illinois, Massachusetts, and Texas
- Products marked with 1.2 gpm are compliant with California water efficiency regulations
- All CFG products are compliant to all plumbing codes that require 3rd party certification to the applicable plumbing/fitting standards
- Features red/blue hot/cold temperature indicators

### WARRANTY – RESIDENTIAL, COMMERCIAL

- Ten year limited warranty against defects in materials and manufacturing workmanship
- Refer to the installation instructions enclosed with each CFG product or call 1-888-450-4910 for complete warranty information

### CRITICAL DIMENSIONS

- **Note:** This faucet is designed to be installed through 3 holes. 1" minimum diameter. 4" centers.
- Maximum deck thickness 0.875" (22.2mm)





A Moen Incorporated Brand

**Model:**  
**CA41211 2H Lav with 50/50 waste**  
**CA41213 2H Lav less waste**



# Capstone®



## Two Handle Lavatory

### DESCRIPTION

- Metal construction with various finishes identified by suffix
- 1/2" IPS connections
- Includes 50-50 pop-up type waste assembly
- Six (6) individual boxes per master carton
- Handles withstand aggressive scrubbing cleaners

### OPERATION

- Lever style handle
- Hot side: Turn counterclockwise to open (clockwise to close)
- Cold side: Turn clockwise to open (counterclockwise to close)
- Will operate with less than 5 lbs. of torque
- No grasping motion required to operate the faucet handles

### FLOW

- Flow is limited to 1.5 gpm max. (5.7L/min) at 60 psi, for products made before October 2008 flow is limited to 2.2 gpm max. (8.3L/min)

### CARTRIDGE

- Ceramic disc technology
- Non-metallic, non-ferrous, and brass material
- Single body construction for easy replacement

### STANDARDS

- Third party certified to WaterSense® CSA B125.1, ASME A112.18.1, ICC A117.1, ANSI/NSF 61/9, IAPMO, and all applicable requirements referenced therein, the Federal Safe Drinking Water Act, California Proposition 65, Illinois, Massachusetts, and Texas
- All CFG products are compliant to all plumbing codes that require 3rd party certification to the applicable plumbing/fitting standards
- Features red/blue hot/cold temperature indicators

### WARRANTY – RESIDENTIAL, COMMERCIAL

- Ten year limited warranty against defects in materials and manufacturing workmanship
- Refer to the installation instructions enclosed with each CFG product or call 1-888-450-4910 for complete warranty information

### CRITICAL DIMENSIONS

- **Note:** This faucet is designed to be installed through 3 holes. 1" minimum diameter. 4" centers.
- Maximum deck thickness 0.875" (22.2mm)

