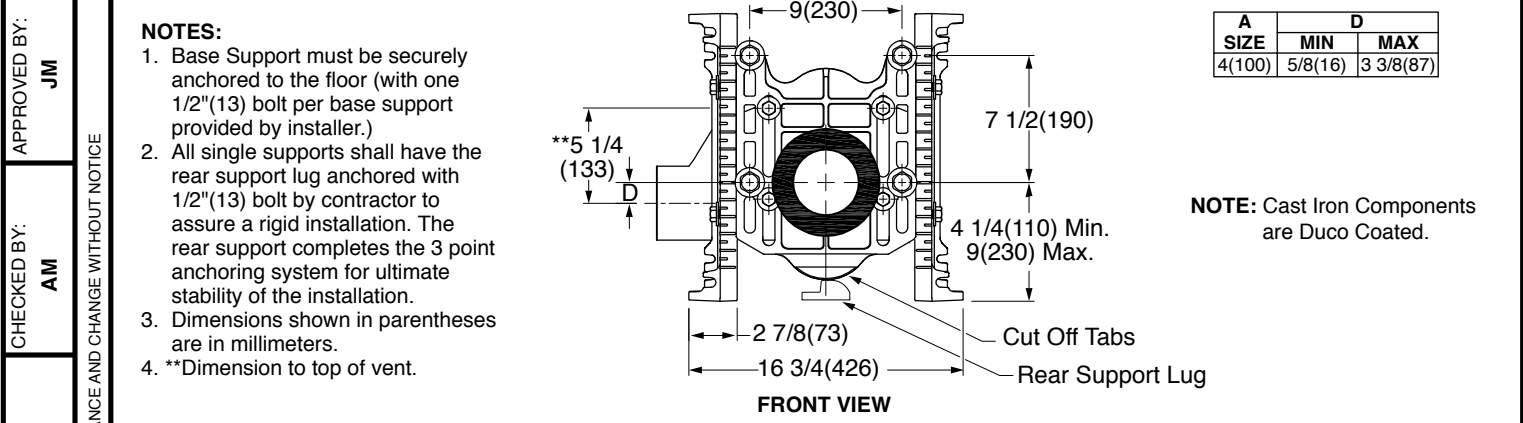
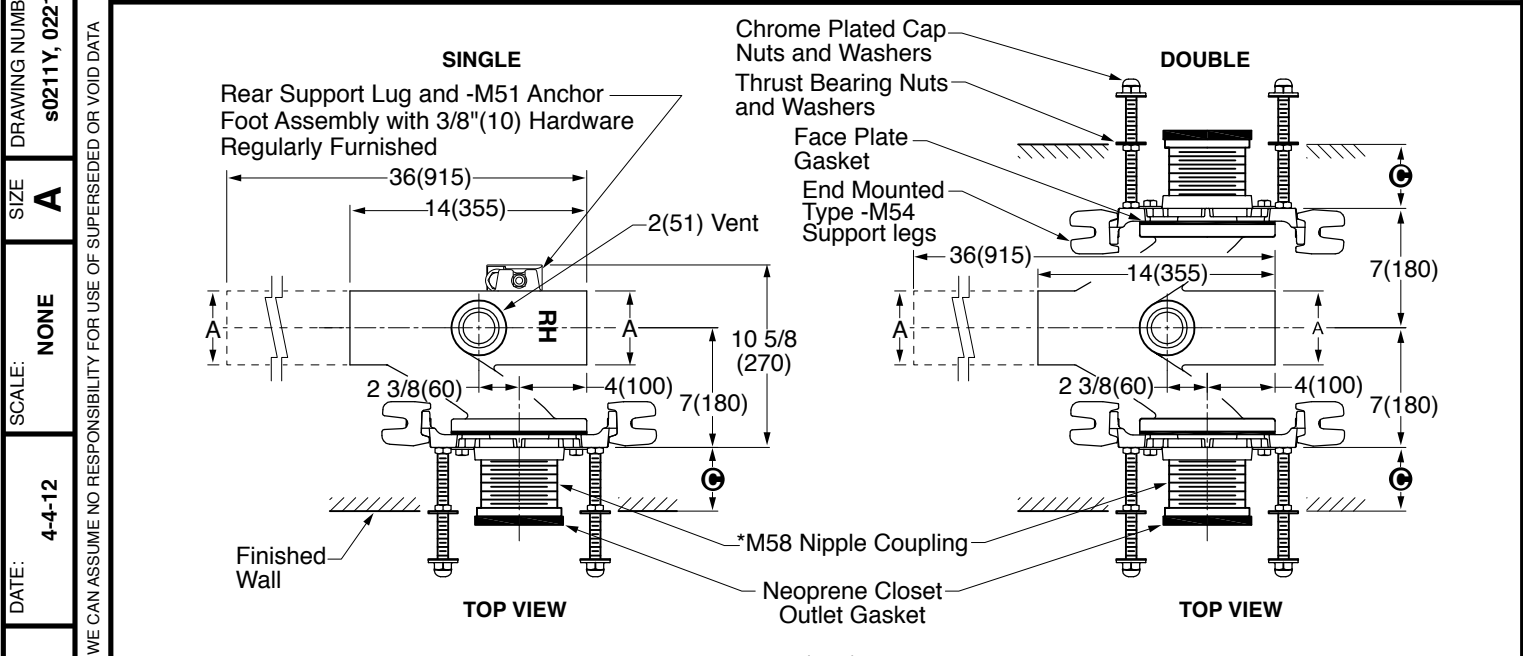


ADJUSTABLE FIXTURE SUPPORTS FOR SIPHON JET WATER CLOSETS



A	D	
SIZE	MIN	MAX
4(100)	5/8(16)	3 3/8(87)

- NOTES:**
1. Base Support must be securely anchored to the floor (with one 1/2"(13) bolt per base support provided by installer.)
 2. All single supports shall have the rear support lug anchored with 1/2"(13) bolt by contractor to assure a rigid installation. The rear support completes the 3 point anchoring system for ultimate stability of the installation.
 3. Dimensions shown in parentheses are in millimeters.
 4. **Dimension to top of vent.

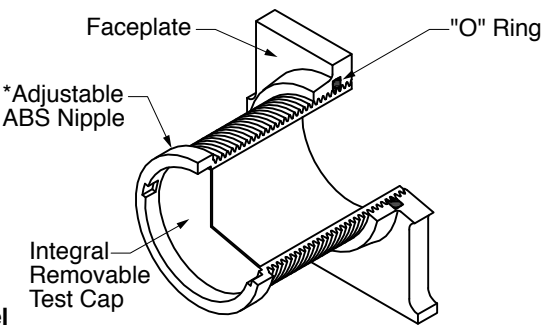
NOTE: Cast Iron Components are Duco Coated.

Conforms with the requirements of ASME A112.6.1M up to a 500 lbs (227kg) static load rating.

*LENGTH	MIN	MAX
10(255)	8 3/4"(222)	9 3/4"(247)

*NOTE: When nipple lengths between 3 1/4"(83) and 9 3/4"(247) are specified, the 10"(255) nipple will be supplied. The threaded end of nipple must be cut to specified length by others.

- Fig. 0211LY (-M58-M54) NO-HUB Left Hand
- Fig. 0211RY (-M58-M54) NO-HUB Right Hand
- Fig. 0211DY (-M58-M54) NO-HUB Double
- Fig. 0221LY (-M58-M54) NO-HUB Left Hand Long Barrel
- Fig. 0221RY (-M58-M54) NO-HUB Right Hand Long Barrel
- Fig. 0221DY (-M58-M54) NO-HUB Double Long Barrel



*ABS (Regularly Furnished)

0211Y (-M58-M54) 0221Y (-M58-M54)	H G F E	12-7-22 7-6-17 9-21-15 10-27-14	Added Note Added Note Rev. Callout, Note Added 0221Y (-M58-M54)	KK TBW TBW TBW	CL JM CL CL	WEIGHT POUNDS	VOLUME CUBIC FEET	FIGURE NUMBER
	REV.	DATE	DESCRIPTION	BY	CKD. BY			0211Y (-M58-M54) 0221Y (-M58-M54)