

77FLF-200 Series

Full Port Solder End Brass Ball Valve

LEAD FREE



Job Name:	
Job Location:	
Engineer:	
Contractor:	
Tag:	
PO#:	
Rep:	
Wholesale Dist.:	

DESCRIPTION

The Apollo 77FLF-200 Series is a lead free* full port forged brass ball valve ideal for a wide range of plumbing and heating applications, including potable water. These two piece style solder connection valves carry multi-agency approvals and are designed to provide reliable operation at a competitive price. The 77FLF-200 series valve is intended to be soft soldered into lines without disassembly. Proudly Made in the USA.

FEATURES

- EZ-Solder™ Lead Free Materials*
- Heavy Pattern Forged Design
- Full Port Flow
- Superior RPTFE Seats and Packing
- Adjustable Stem Packing
- Blowout-Proof Stem
- 2-1/2" - 4" Sizes Now Feature 316SS Ball and Stem (Standard)
- Dezincification Resistant Materials
- Silicone Free assembly
- 100% Factory Tested
- **Made in USA, ARRA Compliant**

APPROVALS

- MSSP-SP-110 Ball Valves
- IAPMO/ANSI Z1157-2014e1
- FM 1140 Fire Protection Trim & Drain (1/2" - 2")
- NSF/ANSI 61 Water Quality
- NSF/ANSI 372 Lead Free

OPTIONS

- (-01) Standard Lever
- (-04) 2-1/4" Stem Extension 1/2" - 2-1/2"
- (-07) Tee Handle 1/2" - 2"
- (-10) Stainless Steel Lever & Nut 1/2" - 2"
- (-11) Therma-Seal™ Insulating Tee Handle 1/2" - 2"
- (-27) Locking Handle SS 1/2" - 2-1/2"
- 77FLF240 Series - SS Ball & Stem

PERFORMANCE RATING

- Rating: 600 CWP (1/4" - 2")
- Rating: 400 CWP (2-1/2" - 4")
- Temperature Range: 0°F - 350°F
- Vacuum Service to 29 in. Hg

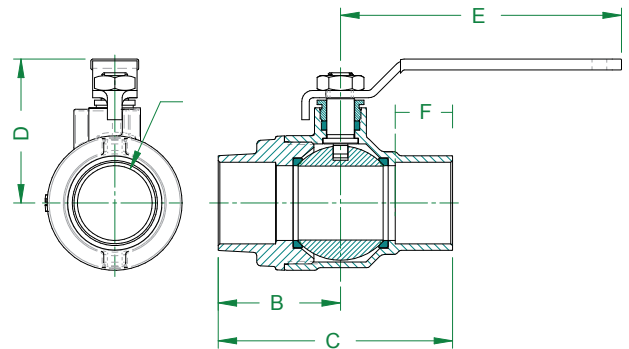
STANDARD MATERIALS LIST

BODY	Forged Lead Free Brass, C27451
SEAT	Reinforced RPTFE
BALL	Lead Free Brass, C27451, Chrome Plated 316 SS (2-1/2" - 4")
STEM PACKING	Reinforced RPTFE
NUT	Corrosion Resistant Plated Steel
STEM	Lead Free Brass, C27451 316 SS (2-1/2" - 4")
RETAINER	Lead Free Brass, C27451
HANDLE	Plated Steel / Insulated Polyvinyl
GLAND	Brass, ASTM B16, alloy C36000

****77FLF-2xx intended for soft solder installation using solders with melting temperature of < 500°F.**

DIMENSIONS

MODEL NUMBER	SIZE (IN.)	DIMENSIONS (IN.)						WT. (LB.)
		A	B	C	D	E	F	
77FLF-203-01	1/2"	0.50	1.37	2.37	1.66	2.85	0.50	0.4
77FLF-204-01	3/4"	0.75	1.72	3.13	1.91	3.86	0.75	0.9
77FLF-205-01	1"	1.00	2.01	3.73	2.11	3.86	0.91	1.3
77FLF-206-01	1-1/4"	1.25	2.07	3.97	2.44	4.75	0.97	2.0
77FLF-207-01	1-1/2"	1.50	2.42	4.69	2.91	5.42	1.09	3.3
77FLF-208-01	2"	2.00	2.91	5.82	3.69	7.77	1.34	5.6
77FLF-249-01	2-1/2"	2.50	3.68	7.05	4.14	7.77	1.48	11.6
77FLF-240-01	3"	3.00	4.26	8.15	5.03	9.92	1.67	19.3
77FLF-24A-01	4"	4.00	4.82	9.57	5.70	14.78	2.16	25.6



*LEAD FREE: The wetted surfaces of this product shall contain no more than 0.25% lead by weighted average. Complies with Federal Public Law 111-380. ANSI 3rd party approved and listed.