



ZS880

LINEAR SHOWER DRAIN INSTALLATION INSTRUCTIONS

Dimensional data (inches and [mm]) are subject to manufacturing tolerances and change without notice.

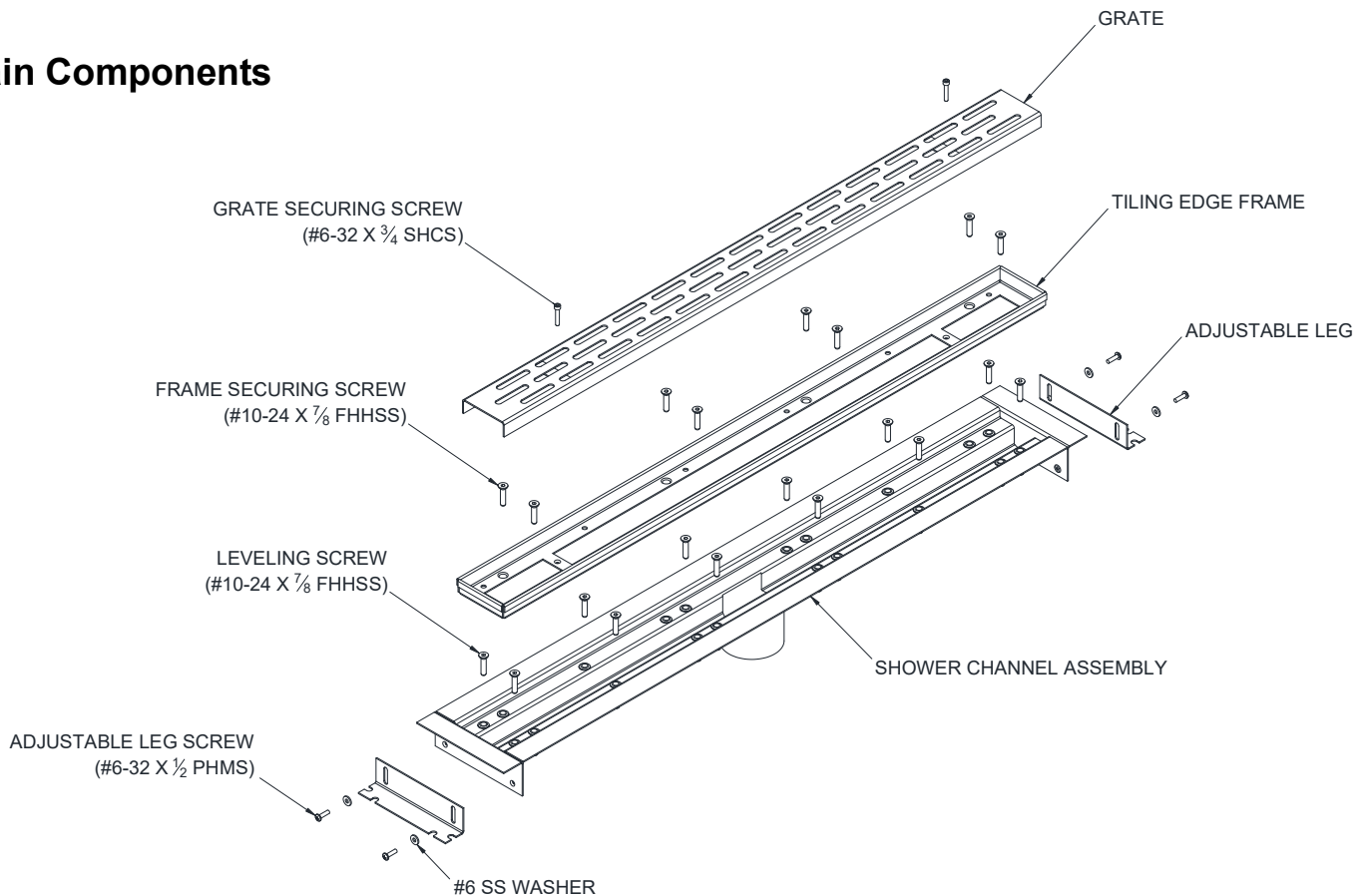
PAT. NO.
8,347,424

Introduction

The Zurn ZS880 Stainless Steel Linear Shower Drain incorporates a simple approach to bathroom shower design, when compared to traditional point-drain applications. The linear shower drain expands the floor surface area for water collection and eliminates the need for multiple slope construction of the floor. When handling and installing the ZS880 linear drain, please pay close attention to the following guidelines and warnings:

- Please handle all stainless steel material with caution. The manufacturing process used in making this product can inadvertently produce sharp edges, which may result in injury if handled or used improperly.
- Please adhere to all torque specification requirements outlined within these instructions when tightening hardware during installation.
- Do not apply corrosive chemicals to this product which may alter the appearance and surface finish.
- All grating provided with this product is rated for light-duty applications, per ASME Standard A112.6.3 specifications.

Drain Components



⚠ WARNING: Cancer and Reproductive Harm - www.P65Warnings.ca.gov
⚠ ADVERTENCIA: Cáncer y daño reproductivo - www.P65Warnings.ca.gov
⚠ AVERTISSEMENT: Cancer et effets néfastes sur la reproduction - www.P65Warnings.ca.gov

Zurn Industries, LLC | Specification Drainage Operation
 1801 Pittsburgh Avenue, Erie, PA U.S.A. 16502 · Ph. 855-663-9876, Fax 814-454-7929
 In Canada | Zurn Industries Limited
 3544 Nashua Drive, Mississauga, Ontario L4V 1L2 · Ph. 905-405-8272, Fax 905-405-1292
www.zurn.com

Rev. -
 Date: 4/23/2018
 C.N. No. 139950
 Form No. FT1009



ZS880

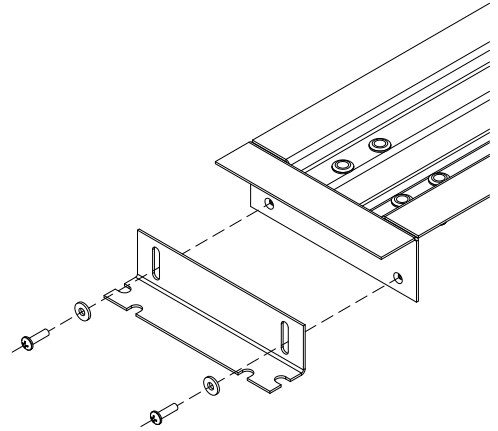
LINEAR SHOWER DRAIN INSTALLATION INSTRUCTIONS

Dimensional data (inches and [mm]) are subject to manufacturing tolerances and change without notice.

Adjusting the Anchoring Legs

Each shower drain is provided standard with two preassembled anchoring legs, one on each end of the channel. The anchoring legs help hold the channel in place and adjust it to an appropriate height, prior to construction of the subfloor. The anchoring legs also stabilize the channel and prevent misalignment during a concrete pour.

The anchoring leg is attached to each endcap of the shower channel with two #6-32 x 1/2 stainless steel pan head machine screws and #6 washers.



STEP 1: Loosen each #6-32 PHMS until the anchoring leg slides up and down freely against the channel end cap.

STEP 2: Set the location of the anchor leg to correspond with the required subfloor thickness height by measuring from the bottom underside of the anchor leg to the top surface of the membrane flange on the channel. Each slotted anchor leg has a vertical adjustment range of 9/16 [14].

STEP 3: Once the anchor legs are placed at the necessary height, retighten each #6-32 PHMS to secure the legs in place.

STEP 4: Attach the 2 [51] no-hub drain outlet to the 2 [51] drain pipe before lagging the anchor legs down. A shielded coupling shall be used to make this connection. Ensure that the coupling clamps are tightened before lagging the anchor legs down to a base.

STEP 5: For convenience, the anchor legs are furnished with four perimeter anchoring slots on each to lag the drain assembly down to a base prior to construction of the subfloor. Using at least two of the anchoring slots on each leg, lag the drain down.



ANCHORING SUPPORT LEG ADJUSTMENT RANGE

Subfloor Construction

STEP 6: Once the drain channel is set to height and lagged in place, construct the subfloor as required. If concrete, the subfloor should be poured around the drain channel and graded at the necessary pitch so that it is flush with the membrane flange on the shower channel body. If the subfloor is constructed of plywood, a notched opening in the floor must be created so that the membrane flange of the body rests on the plywood surface. A suitable construction adhesive should be applied to the underside of the flange to secure the body to the plywood surface.

STEP 7: Apply and seal the water proofing membrane to the top of the concrete (or plywood) subfloor using a suitable sealant. **Take caution to ensure that the membrane is adequately sealed to the sealing flange all around the drain body channel.** The membrane can be glued directly to the surface of this flange.



ZS880

LINEAR SHOWER DRAIN INSTALLATION INSTRUCTIONS

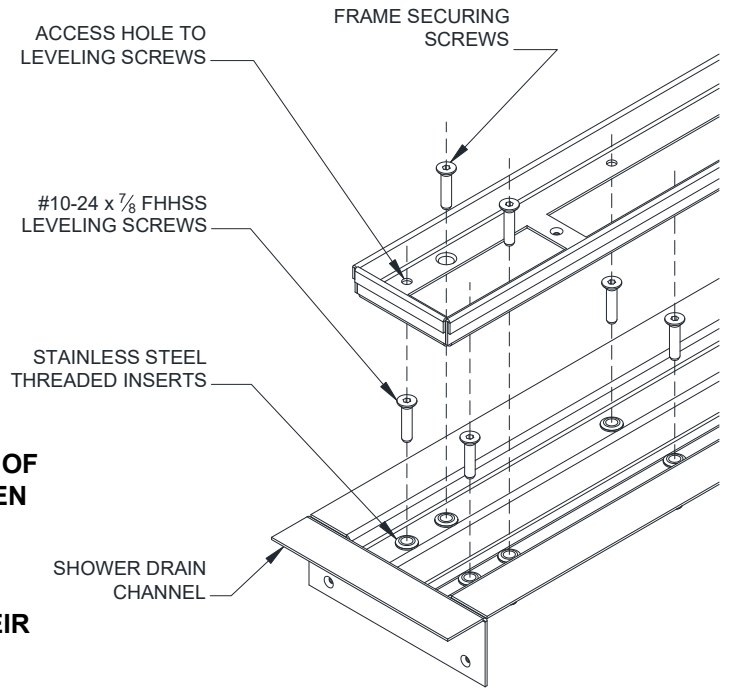
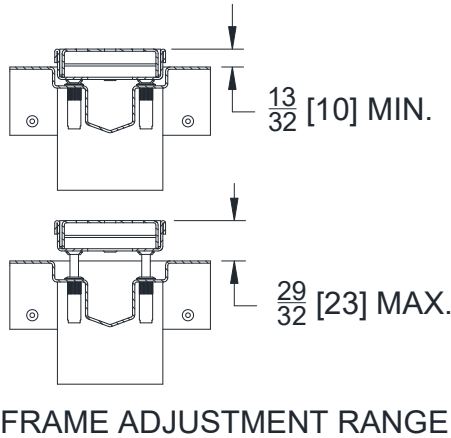
Dimensional data (inches and [mm]) are subject to manufacturing tolerances and change without notice.

Adjusting the Tiling Frame

Each shower drain is provided with a series of #10-24 x 7/8 flat head hex socket screws that thread into sealed blind-hole inserts, which are crimped to the shower channel.

- 1.) A number of screws serve as leveling devices for the tiling frame to support the frame at its required height location. These screws are located below the tiling frame and can be accessed through tool holes directly above the screw heads.
- 2.) Other screws are located above the frame and secure the tiling frame down to the channel, once it is positioned appropriately.

All of these screws are the same type and require a 1/8 [3] Allen wrench (provided) to adjust them.



WARNING - TO AVOID DAMAGE TO OR COMPROMISE OF THE THREADED INSERT SEAL, DO NOT OVER-TIGHTEN THE FRAME SECURING SCREWS AND LEVELING SCREWS BEYOND A TORQUE OF 20 IN-LBS.

THE FRAME LEVELING SCREWS ARE PRESET AT THEIR LOWEST HEIGHT AND CANNOT BE TORQUED ANY LOWER DURING INSTALLATION.

To Adjust the Tiling Frame:

STEP 8: Measure the required finish floor height from the top surface of the waterproofing membrane to the top edge of the tiling frame.

STEP 9: Loosen each #10-24 FHHSS that secures the tiling frame until the frame can move freely up and down.

STEP 10: With the tiling frame resting on the leveling screws underneath, use the 1/8 [3] Allen wrench provided and insert into the access holes to adjust the height of the #10-24 leveling screws upwards as needed. The leveling screws can be adjusted at various elevations to raise the frame upward and to also help set the frame at a required pitch to meet the finished floor surface. **To prevent damage to the channel inserts, DO NOT over-tighten the leveling screws lower than the preset screw height furnished.**



ZS880

LINEAR SHOWER DRAIN INSTALLATION INSTRUCTIONS

Dimensional data (inches and [mm]) are subject to manufacturing tolerances and change without notice.

Adjusting the Tiling Frame (cont'd):

STEP 11: When the frame is set at the required position, secure the frame to the shower channel by tightening the frame screws. **To prevent damage to the frame, DO NOT over-tighten the securing screws.** The frame should now be locked in place and ready for tiling.

Finished Floor Construction

STEP 12: Apply thinset and tile to the floor as required. The construction of the frame creates a built-in tiling edge which should be used as a guide when tiling up to the drain. **CAUTION: When tiling up to the drain, sufficiently brace the inside of the frame to prevent distortion of the frame and improper fit of the grate after tiling is completed.**

STEP 13: Apply grout as required in between the tile and the frame edge.

Securing the Grate

Each grate, with exception of the in-lay tile grate, is constructed with two securing crossbars that are located on the underside of the grate. Each crossbar has a hole in the middle of it to allow the threads of a #6-32 socket head cap screw to pass through. The mating tiling frame underneath the grate has corresponding crossbars that are tapped to accept the threads of the grate securing screw. When the grate is secured, the screws will be obscure when viewing the top surface of the grate. **Note: The in-lay tile grate rests inside of the tiling frame and does not get secured to the frame.**

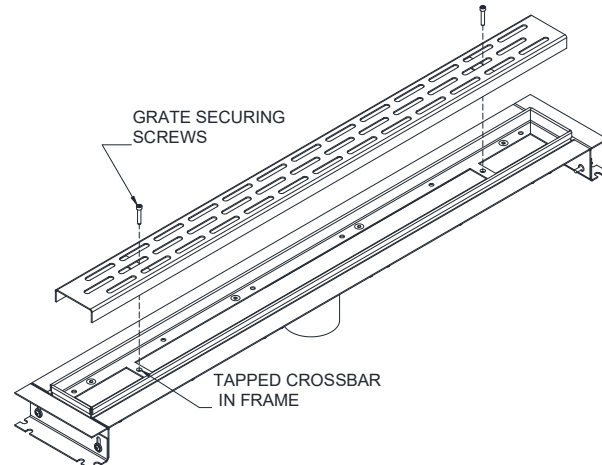
To Secure the Grate:

STEP 14: Locate the two crossbars on the underside of the grate and note their locations.

STEP 15: Set the grate into the frame so that it sits flush and centered. Viewing through the slots of the grate from the top side, the crossbars on the grate should lie above the threaded crossbars of the frame.

STEP 16: Insert the two #6-32 socket head cap screws down through the grate slots and through the crossbars under the grate until the screws makes contact with the frame crossbars.

STEP 17: Thread the screws down using a 7/64 [3] Allen wrench (provided) until the grate is secured. **DO NOT over-tighten the securing screws.** Once the screw threads are fully engaged hand-tight, there is no need to apply excess torque to keep the grate secured.



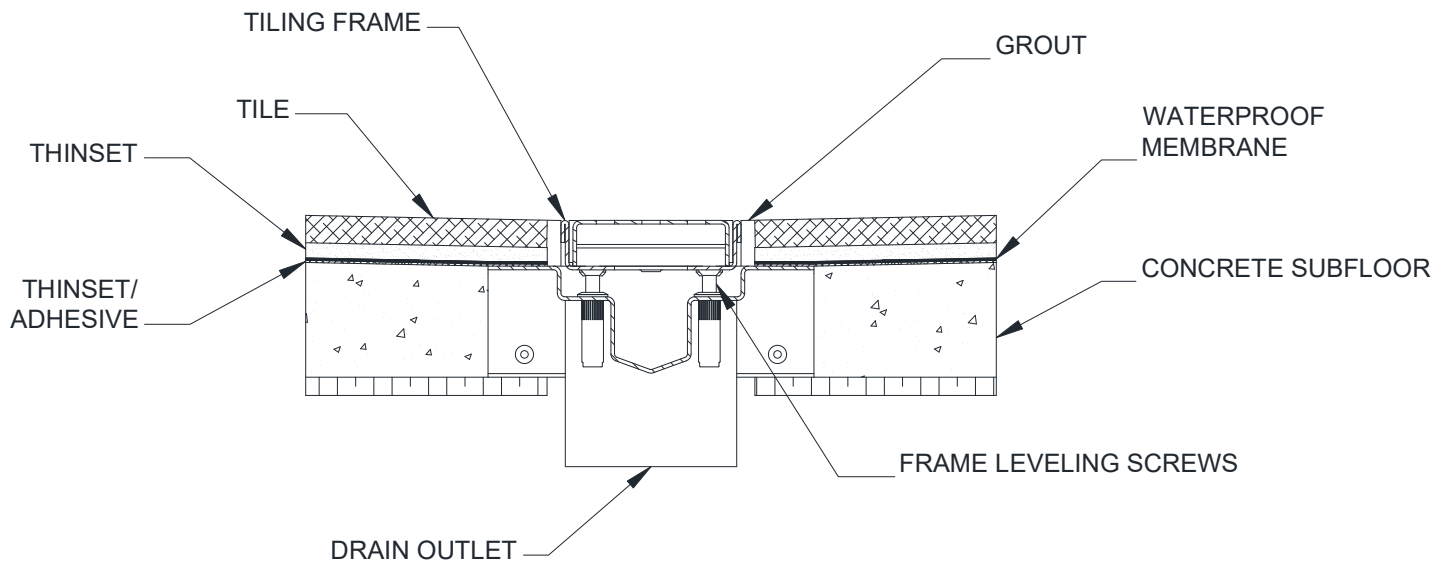
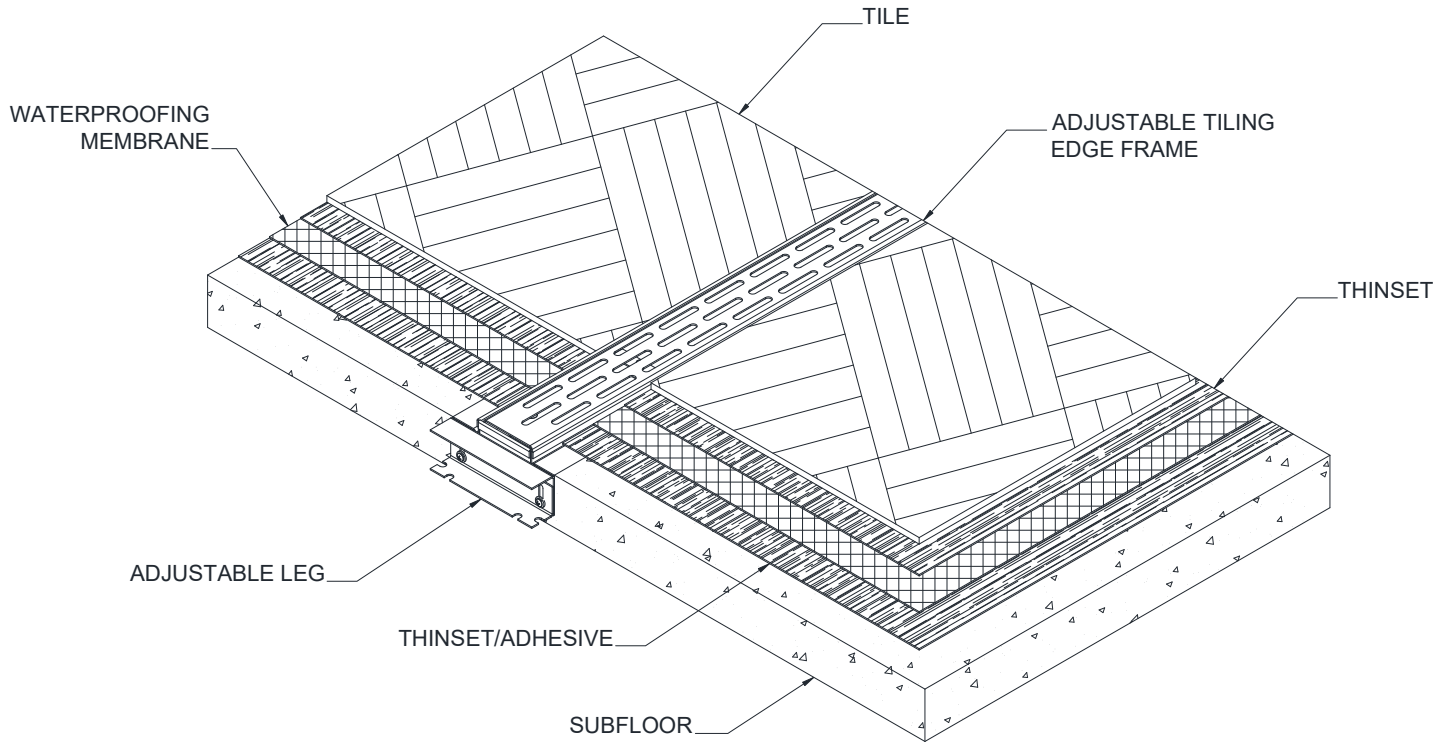


ZS880

LINEAR SHOWER DRAIN INSTALLATION INSTRUCTIONS

Dimensional data (inches and [mm]) are subject to manufacturing tolerances and change without notice.

Typical Installation Drawing



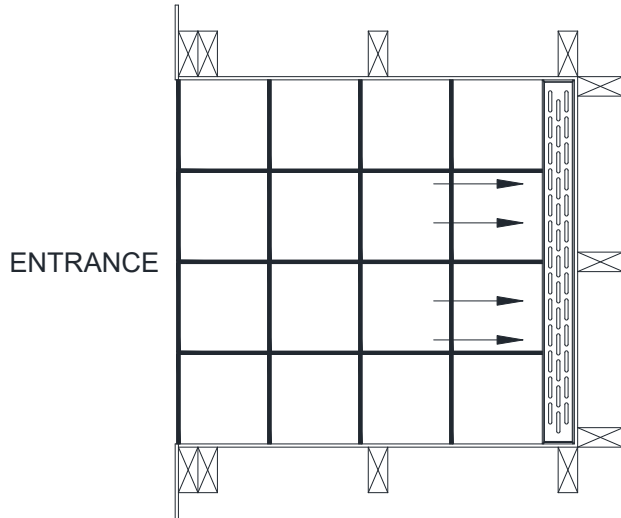


ZS880

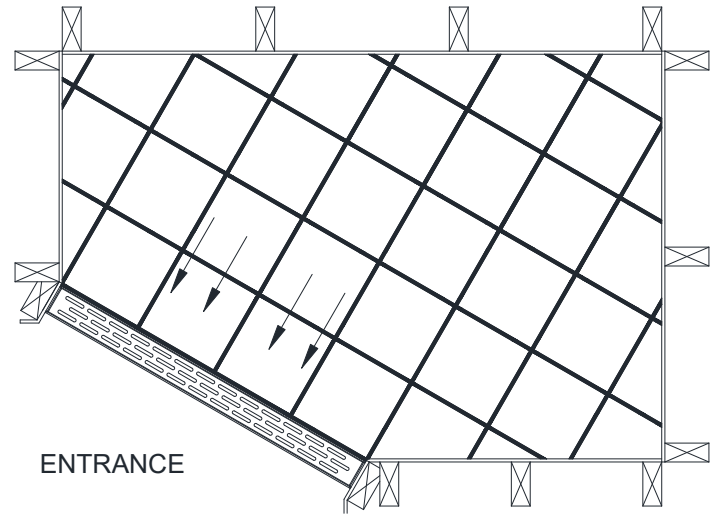
LINEAR SHOWER DRAIN INSTALLATION INSTRUCTIONS

Dimensional data (inches and [mm]) are subject to manufacturing tolerances and change without notice.

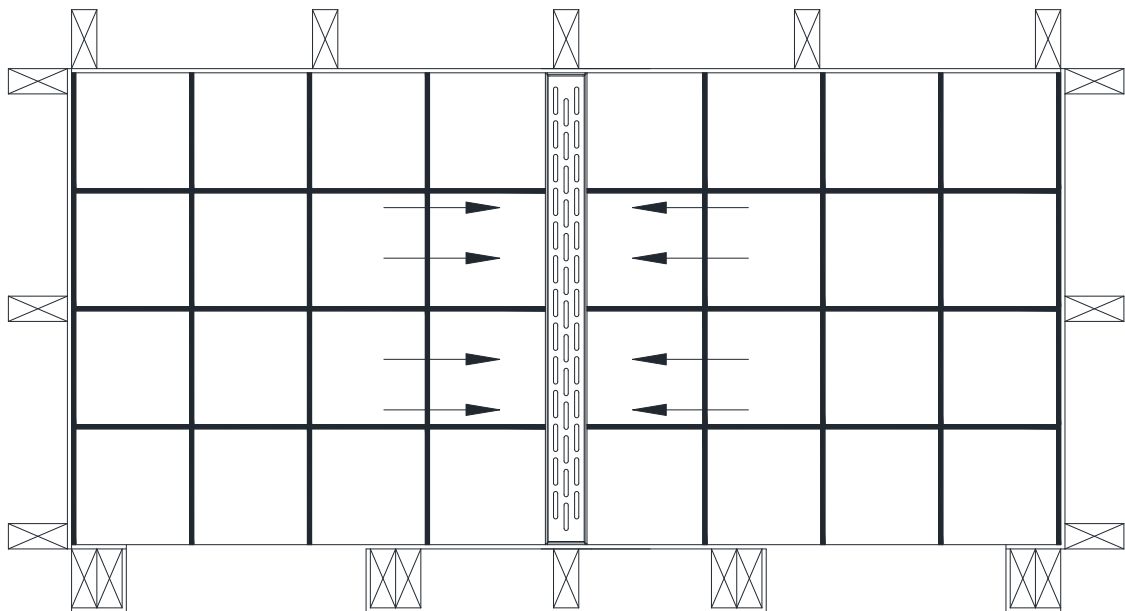
Typical Drain Placement in Bathroom Floor Construction



Back of the Shower Location



Entrance Way (Curb or Curbless)



ENTRANCE

ENTRANCE

Multi-Unit Shower Room