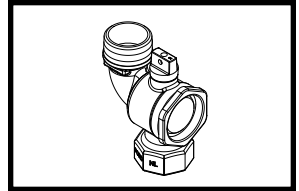
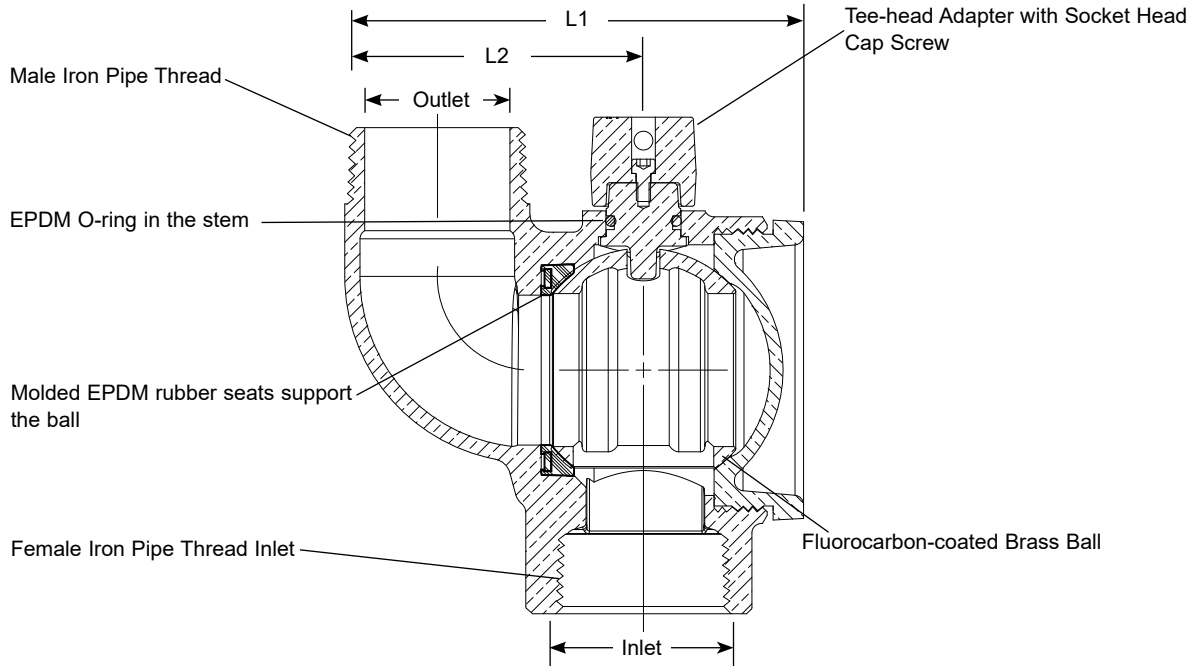


# SUBMITTAL INFORMATION

## Blow-off Ball Valve - (BLA18-777-TA-NL style)



### FEMALE IRON PIPE INLET BY MALE IRON PIPE OUTLET



VALVE SIZE	INLET SIZE	OUTLET SIZE	L1	L2	APPROX. Wt. LBS	PART NUMBER	✓ SUBMITTED ITEM(S)
2"	2"	2"	6-1/8"	3-63/64"	9.3	BLA18-777-TA-NL	

### FEATURES

- All brass that comes in contact with potable water conforms to AWWA Standard C800 (ASTM B584, UNS C89833)
- The product has the letters "NL" cast into the main body for lead-free identification
- Brass components that do not come in contact with potable water conform to AWWA Standard C800 (ASTM B62 and ASTM B584, UNS C83600, 85-5-5-5)
- Vertical inlet and outlet with easy access to the tee-head
- Hole for attaching curb box rod or handle is provided in the tee-head
- 300 PSI working pressure
- Full 360° tee-head rotation

The Ford Meter Box Company considers the information in this submittal form to be correct at the time of publication. Item and option availability, including specifications, are subject to change without notice. Please verify that your product information is current.



#### The Ford Meter Box Company, Inc.

P.O. Box 443, Wabash, Indiana U.S.A. 46992-0443

Phone: 260-563-3171 / Fax: 800-826-3487

Overseas Fax: 260-563-0167

www.fordmeterbox.com

06/18/18

Submitted By: