

THIS SPACE FOR DESIGNER/ENGINEER APPROVAL

Job/Customer _____	Date _____	Contractor _____
Model Specified _____	Qty _____	Approved By _____
Designer/Engineer _____	Date _____	Contractor's PO# _____
Submitted by _____	Date _____	Other _____

8140 Series

**Full Port Forged Brass Uni-Flange Ball Valve
w/ Detachable Rotating Flange,
Adjustable Packing Gland, Nuts & Bolts
Press x Rotating Flange
250 CWP / 250°F Max
ISO 9001**

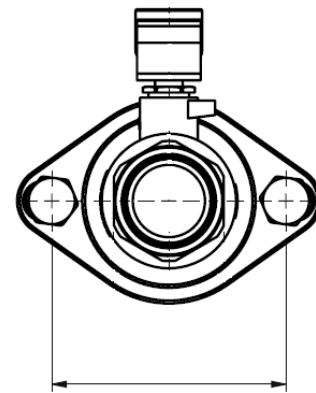
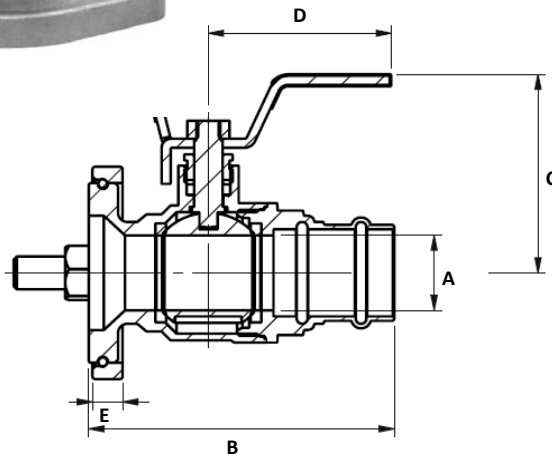


Item #	Size	CTN/CASE	A	B	C	D	E	F
81403HV	3/4"	1/20	3/4	3 5/16	2 1/4	2 3/8	3/8	3 3/16
81404HV	1"	1/20	1	4	2 5/8	2 3/8	3/8	3 3/16
81405HV	1 1/4"	1/20	1 1/4	4 7/16	2 15/16	3 3/8	3/8	3 3/16
81406HV	1 1/2"	1/10	1 7/16	4 15/16	3 3/16	3 3/8	3/8	3 3/16
81407HV	2"	1/10	1 15/16	5 13/16	3 9/16	3 3/8	3/8	3 11/16

TEMP °F	PSI
100	250
250	200



PATENTS PENDING



Specifications: Designed for residential, commercial or industrial use with water only. This approved Webstone valve is actuated by a blowout proof stem and features an adjustable packing gland. HV models fit both standard and high velocity pumps.



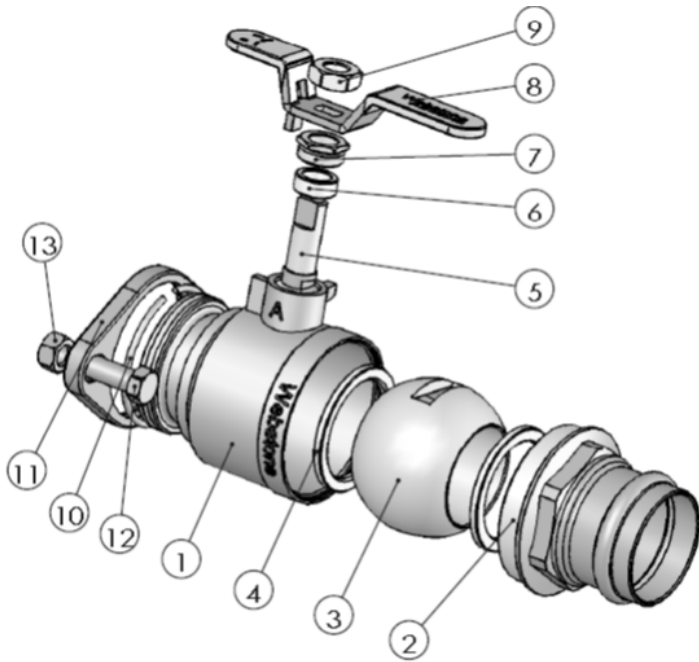
Quality and Commitment Since 1954

www.webstonevalves.com · P: (800) 225-9529 · F: (800) 336-5133

Webstone product specifications in U.S. customary units are approximate and are provided for reference only. Webstone reserves the right to change or modify product design, construction, specifications or materials without prior notice and without incurring any obligation to make such changes and modifications on Webstone products previously or subsequently sold.

THIS SPACE FOR DESIGNER/ENGINEER APPROVAL

Job/Customer _____	Date _____	Contractor _____
Model Specified _____	Qty _____	Approved By _____
Designer/Engineer _____	Date _____	Contractor's PO# _____
Submitted by _____	Date _____	Other _____



NO.	DESCRIPTION	MATERIAL
1	BODY	BRASS
2	END CAP	BRASS
3	BALL	BRASS CP
4	SEAT	PTFE
5	STEM	BRASS
6	PACKING GLAND	PTFE
7	PACKING NUT	BRASS
8	HANDLE	STEEL CP
9	HANDLE NUT	STAINLESS STEEL
10	ROTATING FLANGE RING	STAINLESS STEEL
11	ROTATING FLANGE	BRASS
12	FLANGE BOLTS	STAINLESS STEEL
13	FLANGE NUTS	STAINLESS STEEL