

Carbon Steel Ball Valves

Two-Piece Body • Conventional Port • Blowout-Proof Stem •
CS Trim • Cast Mounting Pad • Vented Ball

2000 PSI/138 bar non-shock cold working pressure*

CONFORMS TO MSS SP-110

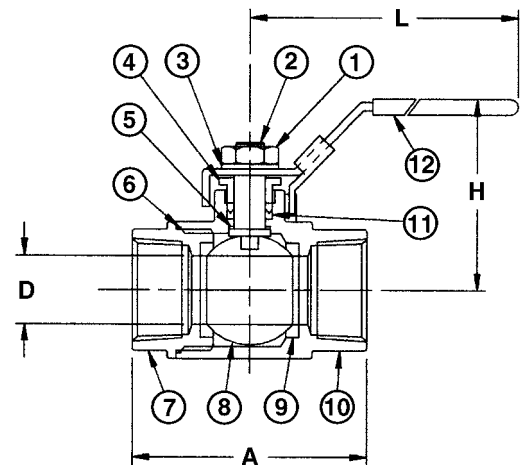
MATERIAL LIST

PART	SPECIFICATION
1. Handle Nut	Carbon Steel ASTM A 283
2. Stem	Carbon Steel ASTM A 108 Type 1045
3. Lock Washer	Carbon Steel
4. Threaded Pack Gland	Carbon Steel ASTM A 108 Type 1045
5. Thrust Washer	Carbon Filled PTFE
6. Gasket	PTFE
7. Body End Piece	Carbon Steel ASTM A 216 Grade WCB (Investment Cast)
8. Ball (Vented)	Stainless Steel ASTM A 276 Type 304 or ASTM A 351 Type CF8M
9. Seat (2)	Reinforced PTFE
10. Body	Carbon Steel ASTM A 216 Grade WCB
11. Stem Packing (2)	Carbon Filled PTFE
12. Locking Handle	Carbon Steel ASTM A 283

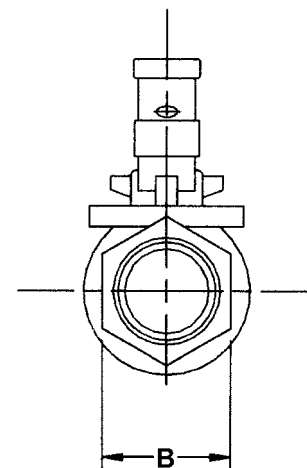
NOTE: valves are static grounded by thrust washer and packing.



TC-580-CS-R-25-LL
Threaded



TC-580-CS-R-25-LL
NPT x NPT



DIMENSIONS—WEIGHTS—QUANTITIES

Size	Dimensions						TC-580-CS-R-25-LL	Master Ctn. Qty.
	A	B	D	H	L			
In. mm.	In. mm.	In. mm.	In. mm.	In. mm.	In. mm.	Lbs. Kg.		
¼ 8	2.07 53	.83 21	.37 9	1.76 45	4.33 110	.51 .23	10	
⅜ 10	2.07 53	.83 21	.37 9	1.76 45	4.33 110	.48 .22	10	
½ 15	2.34 59	1.06 27	.50 13	1.92 47	4.33 110	.66 .30	10	
¾ 20	2.80 71	1.34 34	.69 18	2.40 61	5.83 148	1.30 .59	10	
1 25	3.23 82	1.61 41	.87 22	2.56 65	5.83 148	1.79 .81	10	
1¼ 32	3.57 91	1.89 48	1.00 25	2.74 70	7.76 197	2.52 1.14	5	
1½ 40	4.04 103	2.26 57	1.25 32	2.98 76	7.76 197	3.75 1.70	5	
2 50	4.63 118	2.76 70	1.50 38	3.17 81	7.76 197	5.80 2.63	5	

◆ For detailed operating pressure, refer to pressure temperature chart on pages 71 and 72.

Visit our website for the most current information.