

### Application

Designed for drop-in replacement of existing longer lay length assemblies without the need for additional spools or spacers, saving 2 to 6 hours of installation labor and up to 2 machine hours per backflow replacement. A custom sized grooved spool installed between the backflow body and downstream shut-off valve allows customer specified assembly lengths to be shipped directly from the factory. Designed for installation on potable water lines to protect against both backsiphonage and backpressure of contaminated water into the potable water supply. The Model 375ASTR provides protection where a potential health hazard exists.

### Standards Compliance

- ASSE® Listed 1013
- AWWA Compliant C511 with gates only), and C550
- FM® Approved
- UL® Classified
- C-UL® Classified
- CSA® Certified
- IAPMO® Listed
- Approved by the Foundation for Cross Connection Control and Hydraulic Research at the University of Southern California
- Meets the requirements of NSF/ANSI 61\*  
\*(0.25% MAX. WEIGHTED AVERAGE LEAD CONTENT)

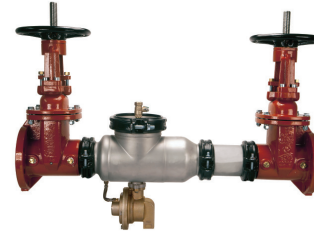
### Materials

Main valve body	304L Stainless steel
Access covers	304L Stainless steel
Coatings	FDA Approved electrostatic epoxy finish
Internals	Stainless Steel, 300 Series NORYL™
Fasteners & Springs	Stainless Steel, 300 Series
Seal rings	EPDM (FDA approved)
O-rings	Buna Nitrile (FDA approved)
Sensing line	Stainless Steel, braided hose

### Dimensions & Weights (do not include pkg.)

MODEL 375ASTR SIZE	WEIGHT W/MAX. SPOOL LENGTH												
	WITH NRS GATES (GXF)		WITH OS&Y GATES (GXF)		WITH NRS GATES (GXG)		WITH OS&Y GATES (GXG)		WITH BUTTERFLY VALVES (GXG)		WITH BUTTERFLY VALVES (GXF)		
	in.	mm	lbs.	kg	lbs.	kg	lbs.	kg	lbs.	kg	lbs.	kg	
2 1/2	65	108	49	126	57	98	44	116	53	95	43	106	48
3	80	127	58	145	66	115	52	133	60	102	46	115	52
4	100	192	87	228	104	172	78	204	93	114	52	136	62
6	150	314	143	372	169	284	129	350	159	186	84	216	98
8	200	627	285	709	322	587	266	655	297	409	186	455	206
10	250	882	401	978	445	830	376	920	417	556	252	614	279

MODEL 375ASTR SIZE	DIMENSION (approximate)																											
	A				WITH BUTTERFLY VALVES				B		C		D	E NRS GATE		E OS&Y OPEN		E OS&Y CLOSED		E BUTTERFLY VALVE		F		G				
	in.		mm		in.		mm		in.		mm		in.		mm		in.		mm		in.		mm		in.		mm	
	min	max	min	max	min	max	min	max	min	max	min	max	min	max	min	max	min	max	min	max	min	max	min	max	min	max	min	max
2 1/2	65	34	47	1168	864	1197	31	44	16 5/8	422	4 1/2	114	7 1/4	184	11 1/2	292	17 3/4	451	15 3/8	391	8 1/4	210	9 3/4	248	8 5/8	219		
3	80	35	48	1222	889	1222	31	44	16 5/8	422	4 1/2	114	7 1/4	184	12 3/4	324	20 1/4	514	17	432	8 1/2	216	9 3/4	248	8 5/8	219		
4	100	37	51	1581	1168	1810	32	45	16 5/8	422	4 1/2	114	8	203	14 1/2	368	22 1/2	572	18 1/4	464	9	229	9 3/4	248	8 5/8	219		
6	150	46	64	2184	1416	2566	39	54	22 1/4	565	5 1/2	140	10	254	18	457	30 1/2	775	24 1/4	616	10 1/4	260	10 3/4	273	11 1/4	286		
8	200	55	78	3137	2007	3749	48	66	29 1/2	749	6 1/4	163	11	279	21 1/8	537	37	940	28 1/2	724	18 1/2	470	15 5/8	397	13 1/4	337		
10	250	69	98	4177	2403	4749	59	82	29 1/2	749	6 1/4	163	12	305	24 3/4	629	45 5/8	1159	34 3/4	883	18 1/2	470	15 5/8	397	13 1/2	343		



PATENT NO. 8,997,772

### Options (Suffixes can be combined)

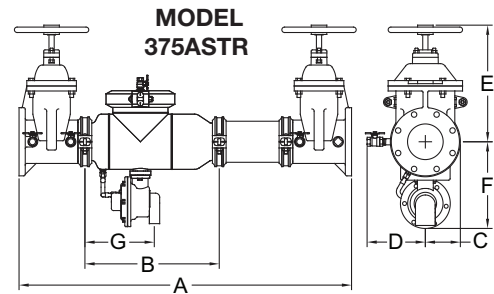
- with flanged end NRS gate valves (standard)
- MS - with Integral Relief Valve Monitor Switch
- OSY - with flanged end OS&Y gate valves
- BG - with grooved end butterfly valves with integral supervisory switch
- BF - with flanged end butterfly valves with integral supervisory switch
- 509 - with AWWA C509 gate valves

### Accessories

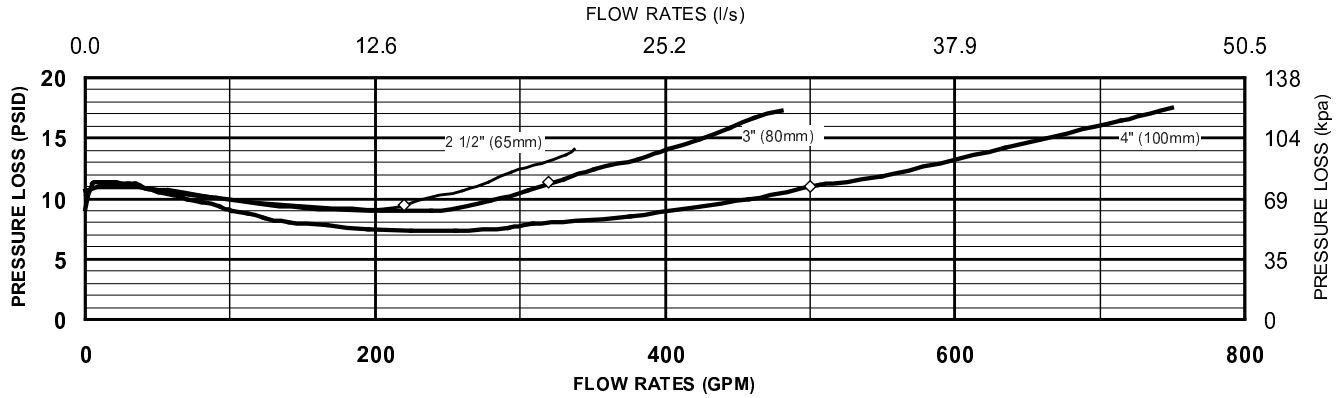
- Repair kit (rubber only)
- Thermal expansion tank (Model XT)
- OS & Y Gate valve tamper switch (OSY-40)
- Air gap (Model AG)
- Electronic Solenoid Timer (Model EST)
- QT-SET Quick Test Fitting Set

### Features

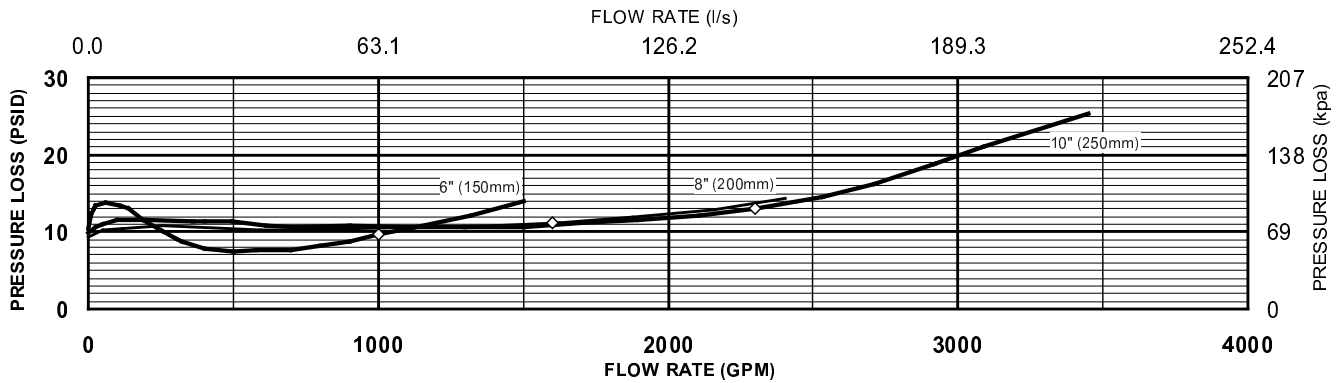
- Sizes: 2 1/2", 3", 4", 6", 8", 10"
- Maximum working water pressure: 175 PSI
- Maximum working water temperature: 140°F
- Hydrostatic test pressure: 350 PSI
- End connections: (Grooved for steel pipe) AWWA C606, (Flanged) ANSI B16.1 Class 125



**MODEL 375ASTR 2 1/2", 3" & 4" (STANDARD & METRIC)**



**MODEL 375ASTR 6", 8" & 10" (STANDARD AND METRIC)**



**Typical Installation**

Local codes shall govern installation requirements. Unless otherwise specified, the assembly shall be mounted at a minimum of 12" (305mm) and a maximum of 30" (762mm) above adequate drains with sufficient side clearance for testing and maintenance. The installation shall be made so that no part of the unit can be submerged.

**Order Configuration**

- Exact in field measurements are required when ordering the assembly. Please have the assembly length ready when ordering.
- All assemblies are custom made to order and all sales are final.
- Lead time is approximately one week.

Generic part number used for ordering:

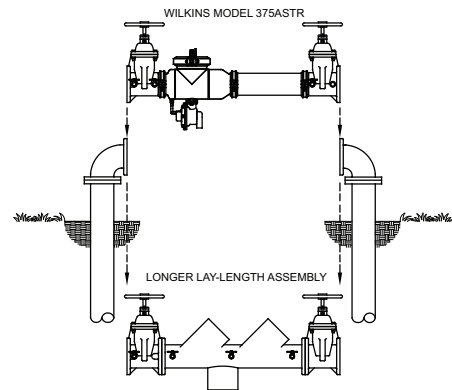
**X-375ASTR\*-Y**

where X= NOMINAL VALVE SIZE (212 REPRESENTS 2-1/2")  
 Y= ASSEMBLY LENGTH SUFFIX: choose A-C from table at right (exact in field measurements must be given to customer service representative)  
 \*= ADDED OPTIONS (use suffixes designated in OPTIONS section on previous page)

**Example**

To order a 4" Model 375ASTR with OS&Y gate valves and an assembly length of 52 3/8", the part number would be: 4-375ASTROSY-B.

The length of 52 3/8" would be given to Customer Service.



		ASSEMBLY LENGTH SUFFIX							
		A		B		C			
		Size Range		Size Range		Size Range			
NPS		From	To	From	To	From	To		
2-1/2"		34"	47 1/8"						
3		35"	48 1/8"						
4		37 3/8"	50"					50 1/16"	62 1/4"
6		46"	59"					59 1/16"	71 1/4"
8"		55 3/4"	74"					74 1/16"	86"
10"		58 5/8"	77"	77 1/16"	89"	89 1/16"	100 5/8"		

**Specifications**

The Reduced Pressure Principle Backflow Prevention Assembly shall be certified to NSF/ANSI 61, ASSE® Listed 1013, and supplied with full port gate valves. The main body and access cover shall be 304L Stainless Steel, the seat ring and check valve shall be NORYL™, the stem shall be stainless steel (ASTM A 276) and the seat disc elastomers shall be EPDM. The checks and the relief valve shall be accessible for maintenance without removing the device from the line. The Reduced Pressure Principle Backflow Prevention Assembly used for all backflow replacements shall be a ZURN WILKINS Model 375ASTR.