

# 1 System Data Sheet

## ProPress Fitting Systems



Viega ProPress may only be pressed onto copper tube in accordance with ASTM B88 or B75. When pressing onto B88 copper tube, types K, L, and M may be used. Tempers O60 and O50, known as “soft copper”, are limited to nominal sizes ½" to 1¼". Temper H58, known as “hard copper”, may be used with nominal sizes ½" to 4".



When pressing onto B75 copper tube, additional considerations apply. See [Viega ProPress Copper Tube Compatibility Tech Data](#).

ProPress fittings are available in elbows, couplings, reducers, tees, reducing tees, threaded adapters, unions, caps, and flanges. All threaded ½" to 2" fittings are Zero Lead bronze.

### Operating Parameters

- Operating Pressure: 200 psi maximum
- Test Pressure: 600 psi maximum
- Operating Temperature: 0°F to 250°F

### Listings and Certificates

- |                 |                                    |
|-----------------|------------------------------------|
| ■ NSF/ANSI 61   | ■ ABS                              |
| ■ NSF/ANSI 372  | ■ CSA Low Lead Content             |
| ■ IAPMO PS-117  | ■ ASME B16.51, B31.1, B31.3, B31.9 |
| ■ UL/ANSI 213   | ■ NFPA 13, 13D, 13R                |
| ■ FM Class 1920 |                                    |
| ■ ICC-ES IC1002 |                                    |

### Compliant With

- ASME B31
- ASTM B75
- ASTM B88
- IAPMO National Standard Plumbing Code (NSPC)
- IAPMO Uniform Mechanical Code (UMC)
- IAPMO Uniform Plumbing Code (UPC)
- ICC International Mechanical Code (IMC)
- ICC International Plumbing Code (IPC)
- ICC International Residential Code (IRC)
- NFPA 13, 13D, and 13R

Contact your local Viega representative for details on local approvals.

### Approved Applications

- Hot and cold potable water
- Rainwater/gray water
- Fire sprinkler (175 psi maximum)
- Chilled water
- Hydronic heating (with glycol)
- Low pressure steam (15 psi maximum)
- Ethanol
- Compressed Air
- Non-medical gases
- Vacuum (29.2" Hg maximum @ 68°F)

ProPress fittings are approved for installations in both above and below ground applications. Per code, local inspector approval must be obtained prior to installation below ground.

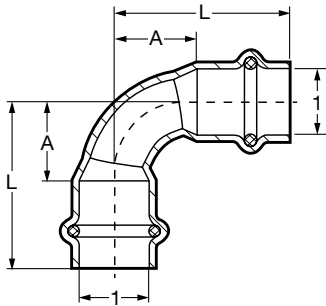
### Smart Connect® Technology

ProPress fittings are manufactured with Viega’s unique Smart Connect technology. Designed into the fitting itself, Viega Smart Connect technology allows identification of an unpressed fitting during pressure testing.

# 4 Dimensional Documents

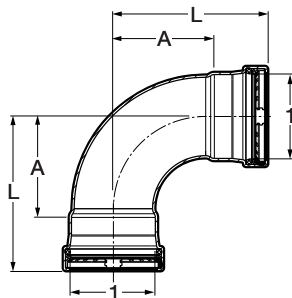
## ProPress Fittings

### Viega ProPress 90° Elbow Copper P x P - Model 2916



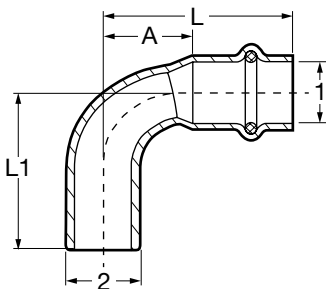
Part No.	Size (in)	A (in)	L (in)
	<b>1 1</b>		
77317	1/2 x 1/2	0.75	1.50
77022	3/4 x 3/4	0.76	1.67
77027	1 x 1	1.28	2.19
77032	1 1/4 x 1 1/4	1.28	2.31
77037	1 1/2 x 1 1/2	1.29	2.72
77042	2 x 2	2.16	3.74

### Viega ProPress 90° Elbow P x P - Model 0916XL



Part No.	Size (in)	A (in)	L (in)
	<b>1 1</b>		
20623	2 1/2 x 2 1/2	3.19	4.88
20628	3 x 3	3.76	5.73
20633	4 x 4	4.90	7.26

### Viega ProPress 90° Street Elbow Copper P x FTG - Model 2916.1



Part No.	Size (in)	A (in)	L (in)	L1 (in)
	<b>1 2</b>			
77347	1/2 x 1/2	0.75	1.50	1.54
77052	3/4 x 3/4	0.76	1.67	1.83
77057	1 x 1	1.28	2.19	2.27
77062	1 1/4 x 1 1/4	1.28	2.31	2.48
77067	1 1/2 x 1 1/2	1.29	2.72	2.80
77072	2 x 2	2.16	3.74	3.78