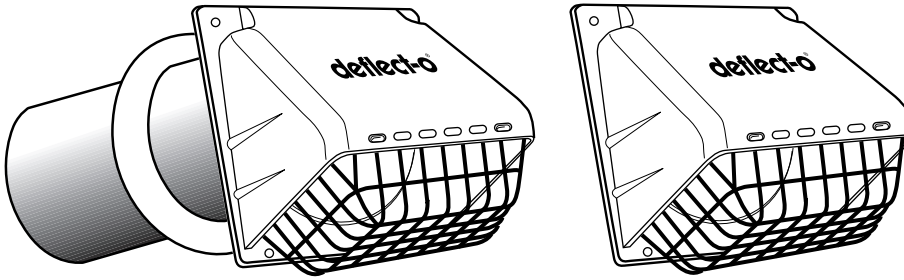


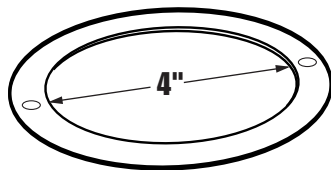
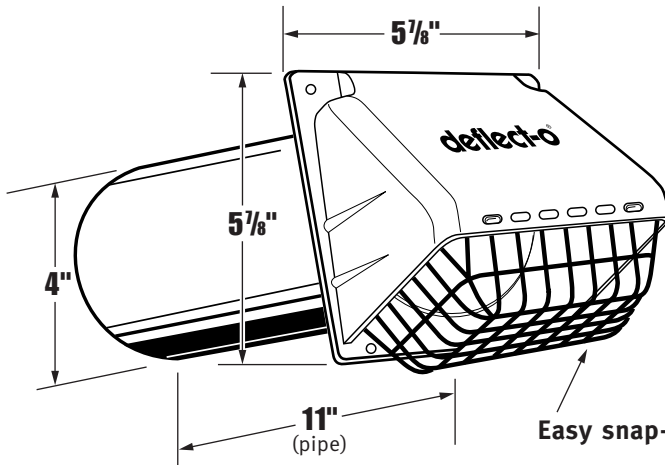
## Technical Product Specifications

### Dryer Vent - 4" Wide Mouth Hood with removable bird guard, pipe & collar

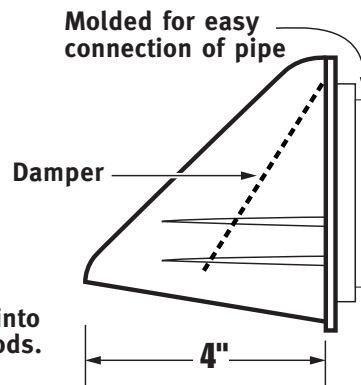


RVHCW<sub>4</sub>, RVHXW<sub>4</sub>, RVHXB<sub>4</sub>,  
RVHAW<sub>4</sub>, RVHAB<sub>4</sub>, RVHUW<sub>4</sub>, RVHUB<sub>4</sub>

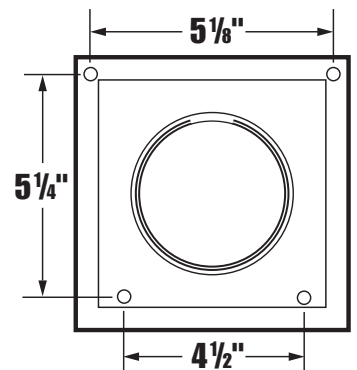
HR<sub>4</sub>W, HR<sub>4</sub>B



Plastic collar



Side View



Rear View

We've designed a full 4" of free air into our dryer vent hoods.

Model No.	Description	Color
HR <sub>4</sub> W	Hood	White
HR <sub>4</sub> B	Hood	Brown
RVHCW <sub>4</sub>	Hood/pipe/collar unassem.	White
RVHXW <sub>4</sub>	Hood/pipe/collar assem.	White
RVHXB <sub>4</sub>	Hood/pipe/collar assem.	Brown
RVHAW <sub>4</sub>	Hood/pipe/collar assem.	White
RVHAB <sub>4</sub>	Hood/pipe/collar assem.	Brown
RVHUW <sub>4</sub>	Hood/pipe/collar unassem.	White
RVHUB <sub>4</sub>	Hood/pipe/collar unassem.	Brown

### Performance Data

for all plastic molded vent hoods

#### Hood

- Calcium filled Polypropylene
- Melting point: 325° F+
- UV Inhibitor added

#### Pipe

- Aluminum

#### Collar

- Styrene

### General Information

- 4" dia. opening
- quick, easy installation
- removable bird guard helps prevent birds and other pests from nesting in vent or entering home
- durable weather resistant