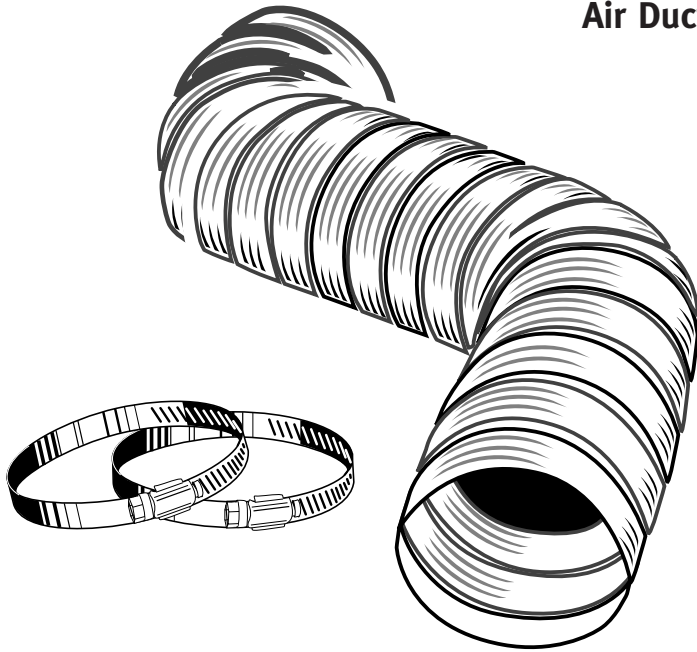


Semi Rigid Flexible Aluminum Duct - Class O, Flexible Air Duct



Semi Rigid Flexible Aluminum Duct

Model No.	Description
Ao38/9	Semi Rigid Flex. Alum. Duct
Ao38/16	Semi Rigid Flex. Alum. Duct
Ao325/5	Semi Rigid Flex. Alum. Duct
Ao45/9	Semi Rigid Flex. Alum. Duct
Ao48/6	Semi Rigid Flex. Alum. Duct
Ao48X/6	Semi Rigid Flex. Alum. Duct
Ao48MX/9	Duct w/ 2 metal worm drive clamps
Ao48/9	Semi Rigid Flex. Alum. Duct
Ao48/16	Semi Rigid Flex. Alum. Duct
Ao425/3	Semi Rigid Flex. Alum. Duct
Ao58/5	Semi Rigid Flex. Alum. Duct
Ao68/4	Semi Rigid Flex. Alum. Duct
Ao78/5	Semi Rigid Flex. Alum. Duct
Ao88/4	Semi Rigid Flex. Alum. Duct

Performance Data

for uninsulated aluminum flexible duct

Maximum Velocity

- 5000 FPM

Maximum Rated Pressures

- 3" - 8" dia., 6" w.g. Pos/Neg

Operating Temperature Range

- -100°F to 430°F

Class O Air Duct, Flexible

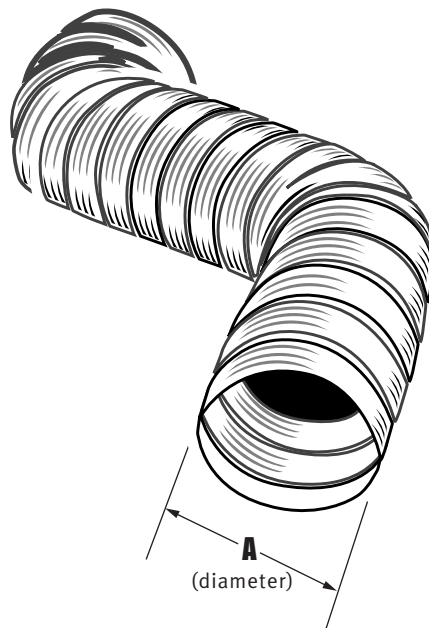
Flame Spread/Smoke Developed

- 0/0

General Information

- 8 foot lengths compress to 28 inches
- 25 foot lengths compress to 88 inches
- material description:
common name - aluminum alloy
trade name - aluminum alloy 3003
- a multiple use product, our semi rigid flexible ducting can be used for exhaust venting bathroom vents, clothes dryers, range hoods ect. . .

Model No.	A	length
Ao38/9	3" dia.	8 ft.
Ao38/16	3" dia.	8 ft.
Ao325/5	3" dia.	25 ft.
Ao45/9	4" dia.	5 ft.
Ao48/6	4" dia.	8 ft.
Ao48X/6	4" dia.	8 ft.
Ao48MX/9	4" dia.	8 ft.
Ao48/9	4" dia.	8 ft.
Ao48/16	4" dia.	8 ft.
Ao425/3	4" dia.	25 ft.
Ao58/5	5" dia.	8 ft.
Ao68/4	6" dia.	8 ft.
Ao78/5	7" dia.	8 ft.
Ao88/4	8" dia.	8 ft.



metal worm drive clamps
(available with Ao48MX/9 only)