



Buy it for looks. Buy it for life.®

# Specifications

## FAUCET DESCRIPTION

- Metal construction with various finishes identified by suffix
- High arc spout provides the height and reach to fill or clean large pots
- Flexible supply lines with 3/8" compression fittings
- 360° rotating spout provides ability to install handle on either side
- Faucet designed for handle to be mounted on right side

## OPERATION

- Single handle lever
- Temperature controlled by 100° arc of handle travel

## FLOW

- Spout flow is limited to 1.5 gpm (5.7 L/min) max at 60 psi

## CARTRIDGE

- 1255™ Duralast™ cartridge for Single-Handle Faucets

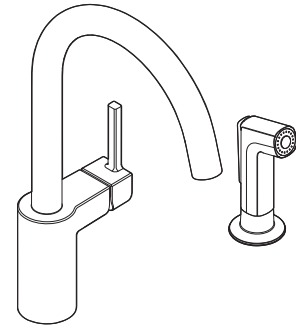
## STANDARDS

- Third party certified to ASME A112.18.1/CSA B125.1 and all applicable requirements referenced therein including NSF 61/9G
- Complies with California Proposition 65 and with the Federal Safe Drinking Water Act

- **ADA**  for lever handle

## WARRANTY

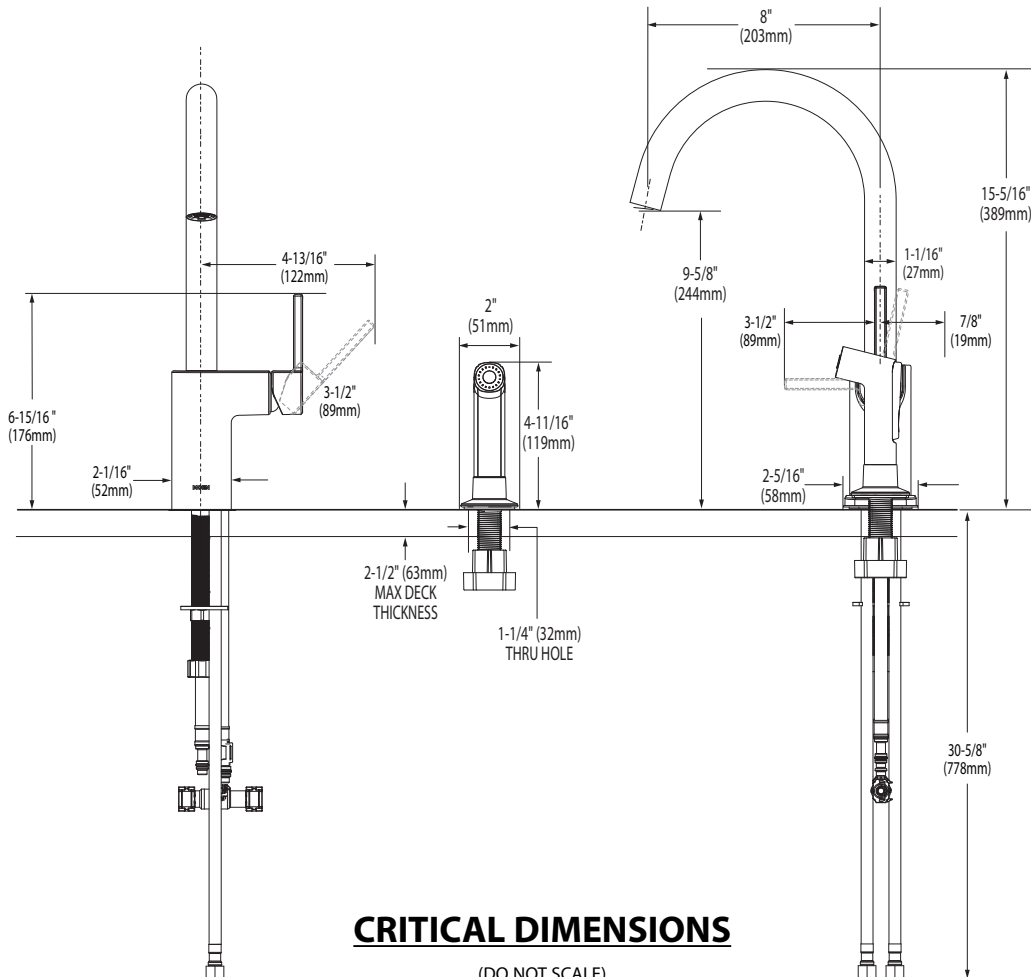
- Lifetime limited warranty against leaks, drips and finish defects to the original consumer purchaser
- 5 year warranty if used in commercial installations



**ALIGN™**  
**Single Handle Single Hole Mount**  
**High Arc Kitchen Faucet**

**Models:** 7165 series

**NOTE:** THIS FAUCET IS DESIGNED TO BE INSTALLED THRU 2 HOLES, 1-1/2" (38mm) MIN. DIA. FOR VALVE, & 1-1/4" (32mm) MIN.DIA. HOLE FOR SIDE SPRAY (OPTIONAL 3-HOLE ESCUTCHEON 141002 AVAILABLE)



## CRITICAL DIMENSIONS

(DO NOT SCALE)

TO ORDER PARTS CALL: 1-800-BUY-MOEN

[www.moen.com](http://www.moen.com)