



Buy it for looks. Buy it for life.®

There is more than 1 version of this model.  
Page down to identify the version you have.

**DESCRIPTION**

- Duralock™ quick connect system
- Metal construction with various finishes identified by suffix
- Hot and cold indicators available
- Includes metal pop-up waste assembly

**OPERATION**

- Lever style handles
- Maximum handle rotation angle is 90° to full on for either handle
- Hot side counterclockwise to open (clockwise to close)
- Cold side clockwise to open (counterclockwise to close)


**FLOW**

- Water usage is limited to these maximum flow rates as indicated by the corresponding product markings
  - 1.2 gpm max (4.5L/min) at 60 psi

**CARTRIDGE**

- 1234™ Duralast™ cartridge
- Nonmetallic, nonferrous and stainless steel material

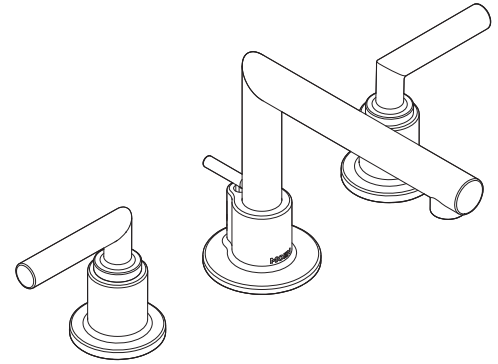
**STANDARDS**

- Third party certified to WaterSense,® ASME A112.18.1/CSA B125.1, and all applicable requirements referenced therein
- Certified to NSF 61/9 & 372
- Products marked with 1.2 gpm are compliant with California water efficiency regulations
- Complies with California Proposition 65 and with the Federal Safe Drinking Water Act
- **ADA**  for lever handles

**WARRANTY**

- Lifetime limited warranty against leaks, drips and finish defects to the original consumer purchaser
- 5 year warranty if used in commercial installations

# Specifications



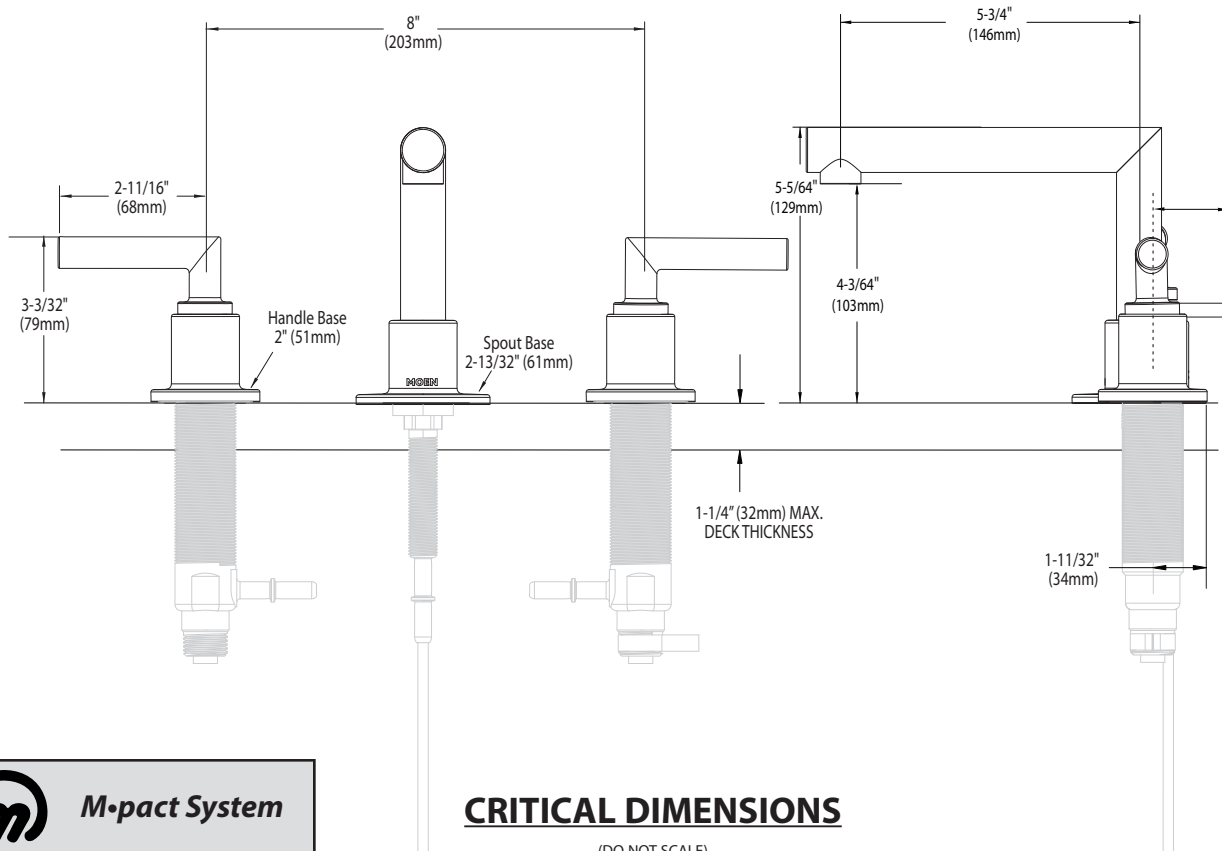
## ARRIS™ Two Handle Widespread Lavatory Faucet

**Models:** TS43002 series

**Valve:** 9000, 69000

**NOTE:** THIS FAUCET IS DESIGNED TO BE INSTALLED THRU 3 HOLES, 1-1/8" MIN. DIA.

**NOTE:** FOR DECK THICKNESS 1-1/2" to 3", USE SERVICE KIT #175709. VALVES INSTALL THROUGH 1-1/4" DIA. HOLE.



### CRITICAL DIMENSIONS

(DO NOT SCALE)

**FOR MORE INFORMATION CALL: 1-800-BUY-MOEN**

[www.moen.com](http://www.moen.com)



Buy it for looks. Buy it for life.®

# Specifications

## DESCRIPTION

- Quick connect system
- Metal construction with various finishes identified by suffix
- Hot and cold indicators available
- Includes metal pop-up waste assembly

## OPERATION

- Lever style handles
- Maximum handle rotation angle is 90° to full on for either handle
- Hot side counterclockwise to open (clockwise to close)
- Cold side clockwise to open (counterclockwise to close)


## FLOW

- Flow is limited to 1.5 gpm max (5.7L/min) at 60 psi

## CARTRIDGE

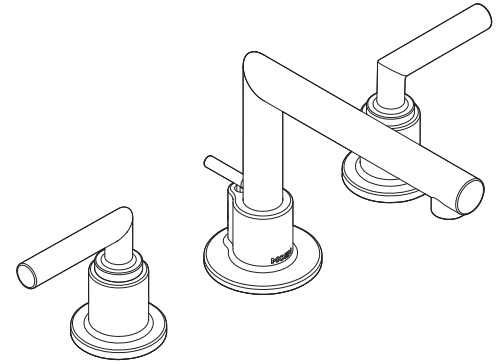
- 1224 cartridge design
- Nonmetallic, nonferrous and stainless steel material

## STANDARDS

- Third party certified to WaterSense®, ASME A112.18.1/CSA B125.1, and all applicable requirements referenced therein including NSF61/9 & 372
- Complies with California Proposition 65 and with the Federal Safe Drinking Water Act
- **ADA**  for lever handles

## WARRANTY

- Lifetime limited warranty against leaks, drips and finish defects to the original consumer purchaser
- 5 year warranty if used in commercial installations

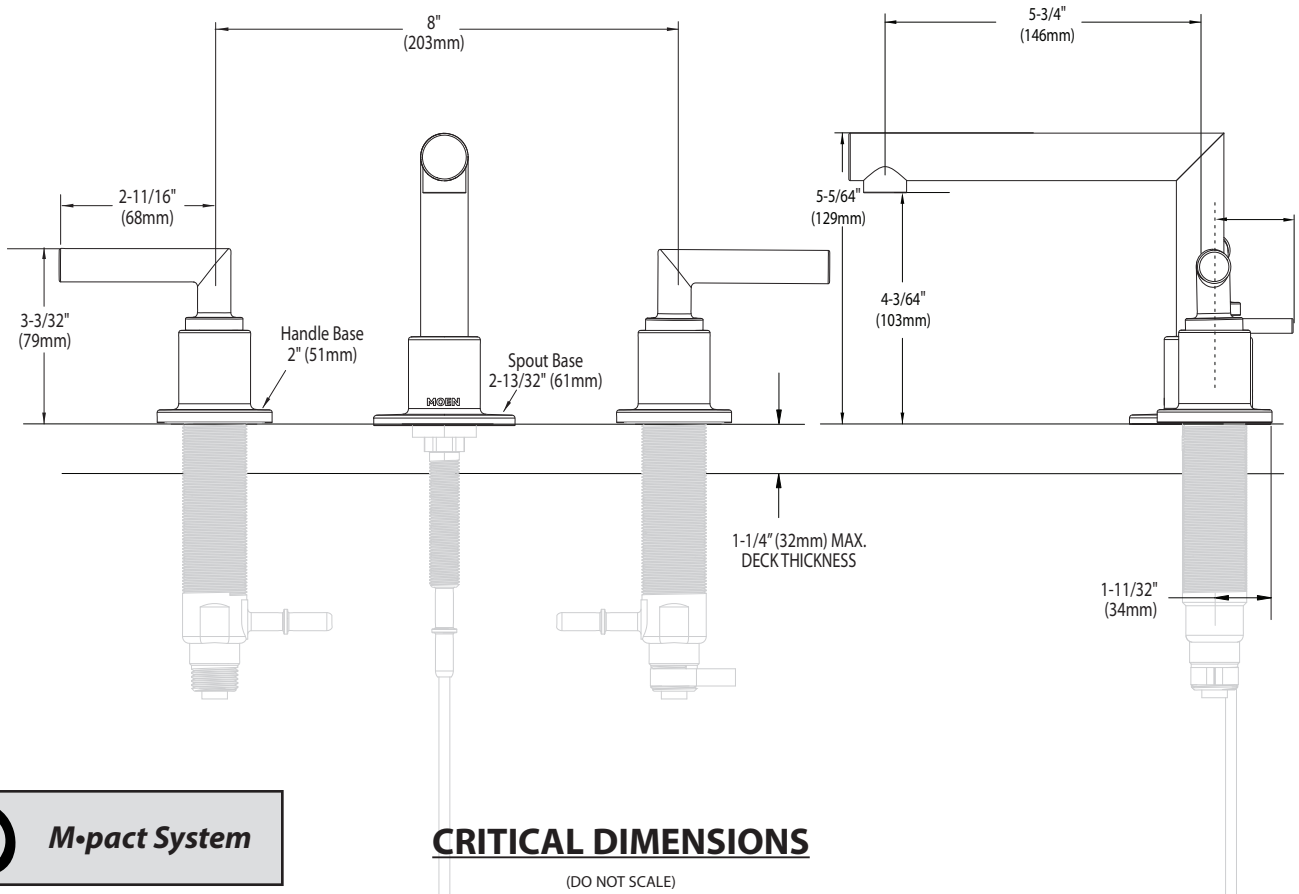


## ARRIS™ Two Handle Widespread Lavatory Faucet

Models: TS43002 series

Valve: 9000, 69000

**NOTE:** THIS FAUCET IS DESIGNED TO BE INSTALLED THRU 3 HOLES, 1-1/8" MIN. DIA.



FOR MORE INFORMATION CALL: 1-800-BUY-MOEN

www.moen.com