

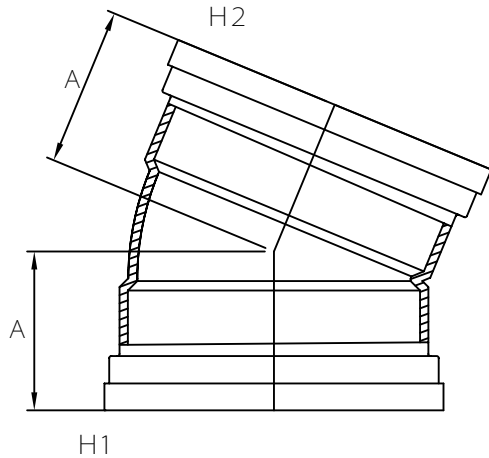


MULTI FITTINGS

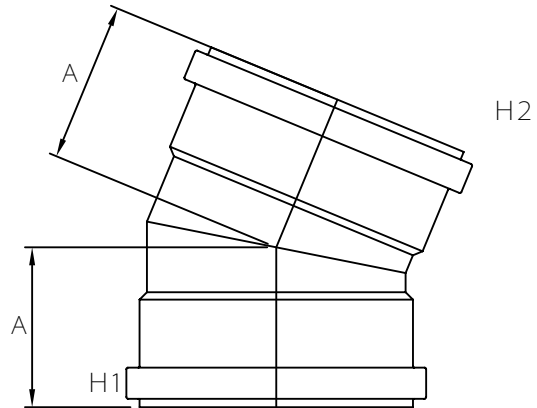
# LAYING LENGTH

ISSUE DATE: OCT 30/17  
SUPERCEDES: MAR 11/05

## 22 1/2° ELBOW (GxG) (1/16 BEND)



INJECTION MOLDED FITTING (M)



FABRICATED FITTING (F)

	SIZE H1xH2	PART NUMBER	A REF
M =	4x4	063964	2.625
% M =	4x4 EXT	063418	3.000
M =	6x6	063969	3.750
% M =	6x6 EXT	063429	4.875
M =	8x8	063963	4.625
M =	10x10	063966	5.375
M =	12x12	043965	6.000
F @	15x15	043967	11.500
F @	18x18	043174	21.500
F @	21x21	043958	20.000
F @	24x24	043954	24.000
F @	27x27	043808	24.500

Note: = Refer to Page G4 for Hub Detail, Type A  
 @ Refer to Page G5 for Hub Detail, Fabricated  
 % Long Hub - Page G4 - Type A