



# RLNL-G

Parts List  
04-October-2014



*This parts list is current as of the above revision date.  
See <http://www.rheempartslists.net/92-42800-RLNL-G.pdf> for the current revision.*

**Package Air Conditioners - Commercial**

# Table of Contents

|                                                               |         |
|---------------------------------------------------------------|---------|
| Model Explanation .....                                       | Page 3  |
| <b>Parts Numbers</b>                                          |         |
| Panels - Miscellaneous 036-060 .....                          | Page 4  |
| Panels - Miscellaneous (Granite-Steel Gray) 090-151 (1) ..... | Page 5  |
| Panels - Miscellaneous (Granite-Steel Gray) 090-151 (2) ..... | Page 6  |
| Panels - Miscellaneous (Granite-Steel Gray) 180-300 (1) ..... | Page 7  |
| Panels - Miscellaneous (Granite-Steel Gray) 180-300 (2) ..... | Page 8  |
| Electrical Group 036-060 .....                                | Page 9  |
| Electrical Group 090-151 (1) .....                            | Page 10 |
| Electrical Group 090-151 (2) .....                            | Page 11 |
| Electrical Group 180-300 (1) .....                            | Page 12 |
| Electrical Group 180-300 (2) .....                            | Page 13 |
| Fan Group 036-060 .....                                       | Page 14 |
| Fan Group 090-151 .....                                       | Page 15 |
| Fan Group 180-300 .....                                       | Page 16 |
| Blower Group 036-048 .....                                    | Page 17 |
| Blower Group 060 .....                                        | Page 18 |
| Blower Group 090-151 .....                                    | Page 19 |
| Blower Group 180-300 .....                                    | Page 20 |
| Coil Parts 036-060 .....                                      | Page 21 |
| Coil Parts 090-151 .....                                      | Page 22 |
| Coil Parts 180-300 .....                                      | Page 23 |
| Compressor Group 036-060 .....                                | Page 24 |
| Compressor Group 090-151 .....                                | Page 25 |
| Compressor Group 180-300 .....                                | Page 26 |
| Heater Kits .....                                             | Page 27 |
| Accessories 036-151 .....                                     | Page 28 |
| Accessories 180-300 .....                                     | Page 29 |
| <b>Drawings/Photographs</b>                                   |         |
| Exploded View 036-060 .....                                   | Page 30 |
| Top Panel View 036-060 .....                                  | Page 31 |
| Control Box 036-060 .....                                     | Page 32 |
| Blower Assembly 036-060 .....                                 | Page 33 |
| Blower Motor Mount Assembly 036-060 .....                     | Page 34 |
| Coil Group Cut-away View 036-060 .....                        | Page 35 |
| Evaporator Coil - Filter Parts 036-060 .....                  | Page 35 |
| Evaporator Coil Parts 036-060 .....                           | Page 36 |
| Compressor - Refrigeration Group 036-060 .....                | Page 37 |
| Reheat Circuit Assembly 036-060 .....                         | Page 38 |
| TXV Identification Guide .....                                | Page 39 |
| Exploded View 090-151 .....                                   | Page 40 |
| Exterior - Front 090-151 .....                                | Page 41 |
| Exterior - Back 090-151 .....                                 | Page 41 |
| Filter-Coil Assembly 090-151 .....                            | Page 42 |
| Condenser Coil Assembly 090-151 .....                         | Page 42 |
| Front Panel Brackets 090-151 .....                            | Page 43 |
| Filter Frame Assembly 090-151 .....                           | Page 44 |
| Blower Assembly 090-151 .....                                 | Page 44 |
| Control Box 090-151 .....                                     | Page 45 |
| Low Voltage Shields 090-151 .....                             | Page 46 |
| Reheat Circuit Assembly 090-151 .....                         | Page 47 |
| Exterior - Front 180-300 .....                                | Page 48 |
| Exterior - Rear 180-300 .....                                 | Page 48 |
| Base Pan Assembly 180-300 .....                               | Page 49 |
| Base Rail Assembly 180-300 .....                              | Page 49 |
| Front Panel Brackets 180-300 .....                            | Page 50 |
| Interior - Coil 180-300 .....                                 | Page 50 |
| Heat Compartment 180-300 .....                                | Page 51 |
| Condenser Bulkhead 180-300 .....                              | Page 51 |
| Filter Frame Assembly 180-300 .....                           | Page 52 |
| Blower Assembly 180-300 .....                                 | Page 52 |
| Control Box 180-300 .....                                     | Page 53 |
| Electric Heat Block-Off 180-300 .....                         | Page 54 |
| Reheat Circuit Assembly 180-300 .....                         | Page 55 |
| Notes/Disclaimer .....                                        | Page 56 |

**MODEL NUMBER EXPLANATION**

|          |          |          |          |          |          |            |          |          |            |           |          |
|----------|----------|----------|----------|----------|----------|------------|----------|----------|------------|-----------|----------|
| <b>R</b> | <b>L</b> | <b>N</b> | <b>L</b> | <b>-</b> | <b>G</b> | <b>090</b> | <b>C</b> | <b>L</b> | <b>000</b> | <b>AA</b> | <b>A</b> |
| 1        | 2        | 3        | 4        |          | 5        | 6          | 7        | 8        | 9          | 10        | 11       |

- |                                                                                                                                                                                                                                                                                                                                                                                                                                                                                                                                                                   |                                                                   |                                                                                                                                                                                                                                                                                                                                                                                                                                                                                                                                                                                                                                                                                                                                                                                                                                                              |
|-------------------------------------------------------------------------------------------------------------------------------------------------------------------------------------------------------------------------------------------------------------------------------------------------------------------------------------------------------------------------------------------------------------------------------------------------------------------------------------------------------------------------------------------------------------------|-------------------------------------------------------------------|--------------------------------------------------------------------------------------------------------------------------------------------------------------------------------------------------------------------------------------------------------------------------------------------------------------------------------------------------------------------------------------------------------------------------------------------------------------------------------------------------------------------------------------------------------------------------------------------------------------------------------------------------------------------------------------------------------------------------------------------------------------------------------------------------------------------------------------------------------------|
| <p><b>1 TRADE NAME</b></p> <p><b>2 L = PACKAGE AIR CONDITIONER</b><br/>Commercial</p> <p><b>3 EFFICIENCY DESIGNATION</b><br/>N = High Efficiency</p> <p><b>4 DESIGN SERIES</b><br/>L = R-410A</p> <p><b>5 TECHNICAL VARIATION</b><br/>G = DDC with Reheat</p> <p><b>6 COOLING CAPACITY (BTUH)</b><br/>036 = 36,000<br/>048 = 48,000<br/>060 = 60,000<br/>090 = 90,000<br/>120 = 120,000<br/>151 = 150,000<br/>180 = 180,000<br/>240 = 240,000<br/>300 = 300,000</p> <p><b>7 ELECTRICAL DESIGNATION</b><br/>C = 208-230/3/60<br/>D = 460/3/60<br/>Y = 575/3/60</p> | <p><b>8</b></p> <p><b>9</b></p> <p><b>10</b></p> <p><b>11</b></p> | <p><b>DRIVE PACKAGE</b><br/>L = Belt Drive (R = VFD - Belt Drive)<br/>M = Belt Drive - High Static (S = VFD - Belt Drive - High Static)<br/>T = VFD - Belt Drive - High Static (090)</p> <p><b>ELECTRIC HEAT- (Resistance Heat)</b><br/>000 = No Resistance Heat<br/>006 = 6 kW Resistance Heat<br/>010 = 10 kW Resistance Heat<br/>012 = 12 kW Resistance Heat<br/>015 = 15 kW Resistance Heat<br/>020 = 20 kW Resistance Heat<br/>024 = 24 kW Resistance Heat<br/>030 = 30 kW Resistance Heat<br/>040 = 40 kW Resistance Heat<br/>050 = 50 kW Resistance Heat<br/>060 = 60 kW Resistance Heat<br/>075 = 75 kW Resistance Heat</p> <p><b>OPTION CODES</b></p> <p><b>ECONOMIZER OPTIONS</b><br/>A = No Economizer<br/>H = Single Enthalpy Economizer with Barometric Relief<br/>J = Single Enthalpy Economizer with Barometric Relief and Smoke Detector</p> |
|-------------------------------------------------------------------------------------------------------------------------------------------------------------------------------------------------------------------------------------------------------------------------------------------------------------------------------------------------------------------------------------------------------------------------------------------------------------------------------------------------------------------------------------------------------------------|-------------------------------------------------------------------|--------------------------------------------------------------------------------------------------------------------------------------------------------------------------------------------------------------------------------------------------------------------------------------------------------------------------------------------------------------------------------------------------------------------------------------------------------------------------------------------------------------------------------------------------------------------------------------------------------------------------------------------------------------------------------------------------------------------------------------------------------------------------------------------------------------------------------------------------------------|

**SERIAL NUMBER EXPLANATION**

|             |          |           |           |              |
|-------------|----------|-----------|-----------|--------------|
| <b>1234</b> | <b>F</b> | <b>50</b> | <b>08</b> | <b>00001</b> |
| 1           | 2        | 3         | 4         | 5            |

- 1 COMPRESSOR IDENTIFICATION NUMBER**
- 2 PRODUCTION LOCATION:**
- 3 WEEK OF PRODUCTION**
- 4 YEAR OF PRODUCTION**
- 5 PRODUCTION NUMBER**

| No.                                | Notes | MODEL<br>TECHNICAL VARIATIONS<br>COOLING CAPACITY                                               | RLNL-<br>G<br>036-060 |
|------------------------------------|-------|-------------------------------------------------------------------------------------------------|-----------------------|
| <b>PANELS, MISCELLANEOUS PARTS</b> |       |                                                                                                 |                       |
| 1                                  |       | Base Rail - Side (2)                                                                            | AE-58900-01           |
| 2                                  |       | Base Rail - Condenser End                                                                       | AE-58901-01           |
| 3                                  |       | Base Rail - Evaporator End                                                                      | AE-58902-01           |
| 4                                  |       | Outdoor Coil Base Pan                                                                           | AS-59051-01H          |
| 5                                  |       | Indoor Coil Base Pan                                                                            | AS-58910-05           |
| 6                                  |       | Condenser Bulkhead                                                                              | AS-103276-02          |
| 7                                  |       | Blower Bulkhead Assembly (Does not include Blower Extensions, Cover Plate, Insulation Retainer) | AS-103385-01          |
| 8                                  |       | Blower Extension - Front                                                                        | AE-58928-01           |
| 9                                  |       | Blower Extension - Back                                                                         | AE-58928-02           |
|                                    |       | Cover Plate (On the Blower Extension - Front to cover the Limit Control opening)                | AE-76216-01           |
|                                    |       | Insulation Retainer                                                                             | AE-59059-01           |
| 10                                 |       | Wire Chase Insulation Assembly                                                                  | AS-103291-01          |
| 11a                                |       | Corner Post (2)                                                                                 | AS-58965-01H          |
| 11b                                |       | Center Post                                                                                     | AS-58966-01H          |
| 13                                 |       | Louvered Panel                                                                                  | AS-59028-01H          |
| 14                                 |       | Louvered Panel                                                                                  | AS-59028-03H          |
| 15                                 |       | Louvered Panel                                                                                  | AS-59028-02H          |
| 16                                 |       | Return/Supply Cover Assembly                                                                    | AS-58992-01H          |
| 17                                 |       | Rear Panel (Includes Insulation, Filler Panel, and Stripping)                                   | AS-58976-01H          |
| 18                                 |       | Filler Panel - (Return Air Filler)                                                              | AE-58974-01           |
|                                    |       | Filler Panel Stripping                                                                          | AE-58897-10           |
| 19                                 |       | Blower/Filter Access Panels (2)                                                                 | AS-58990-01H          |
| 20                                 |       | Post - Left End                                                                                 | AS-58973-01H          |
| 21                                 |       | Front Panel Assembly                                                                            | AS-59132-01H          |
| 22                                 |       | Electric Heat Access Panel Assembly                                                             | AS-58987-04H          |
| 23                                 |       | Control Box Access Door                                                                         | AS-103284-01H         |
| 24a                                |       | Control Box Insert Panel                                                                        | AS-103283-01H         |
| 24b                                |       | Disconnect Plate                                                                                | AS-90756-05H          |
| 24c                                |       | Receptacle Plate                                                                                | AS-90756-02H          |
| 25                                 |       | Front Post                                                                                      | AS-103288-01H         |
| 26                                 |       | Indoor Coil Top Panel Assembly                                                                  | AS-58979-01H          |
| 27a                                |       | Condenser Top Panel                                                                             | AS-58981-01H          |
| 27b                                |       | Support - Condenser Top Panel                                                                   | AE-58980-01           |
| 29                                 |       | Wire Grille                                                                                     | 95-101660-01          |
| 31                                 |       | Control Box (w/o components)                                                                    | AS-103281-01          |

| No.                                              | Notes | MODEL<br>TECHNICAL VARIATION<br>COOLING CAPACITY | RLNL-<br>G<br>090 | RLNL-<br>G<br>120 | RLNL-<br>G<br>151 |
|--------------------------------------------------|-------|--------------------------------------------------|-------------------|-------------------|-------------------|
| <b>PANELS - RAILS, BASE PANS, INSIDE CABINET</b> |       |                                                  |                   |                   |                   |
| <b>BASE RAILS:</b>                               |       |                                                  |                   |                   |                   |
| A                                                |       | Base Rail - Front                                | AE-90575-15       | AE-90575-15       | AE-90575-15       |
| B                                                |       | Base Rail - Right                                | AE-90576-03       | AE-90576-03       | AE-90576-03       |
| C                                                |       | Base Rail - Rear                                 | AE-90575-04       | AE-90575-04       | AE-90575-04       |
| D                                                |       | Base Rail - Left                                 | AE-90576-04       | AE-90576-04       | AE-90576-04       |
| <b>BASE PANS:</b>                                |       |                                                  |                   |                   |                   |
| E                                                |       | Outdoor Coil Base Pan                            | AS-90577-05H      | AS-90577-05H      | AS-90577-14H      |
| F                                                |       | Indoor Coil Base Pan                             | AS-90577-12       | AS-90577-12       | AS-90577-12       |
| <b>INSIDE CABINET:</b>                           |       |                                                  |                   |                   |                   |
| G                                                |       | Entry Plate                                      | AE-90614-01       | AE-90614-01       | AE-90614-01       |
| H                                                |       | Entry Plate                                      | AE-90614-01       | AE-90614-01       | AE-90614-01       |
| J                                                |       | Heat Compartment Side                            | AE-90598-09       | AE-90598-09       | AE-90598-09       |
| K                                                |       | Blower Deck                                      | AS-90592-13       | AS-90592-13       | AS-90592-13       |
| L                                                |       | Wireway                                          | AE-90718-05       | AE-90718-05       | AE-90718-05       |
| M                                                |       | Condenser Bulkhead                               | AS-90609-41       | AS-90609-41       | AS-90609-41       |

| No.                   | Notes | MODEL<br>TECHNICAL VARIATION<br>COOLING CAPACITY                          | RLNL-<br>G<br>090    | RLNL-<br>G<br>120 | RLNL-<br>G<br>151 |
|-----------------------|-------|---------------------------------------------------------------------------|----------------------|-------------------|-------------------|
| <b>PANELS - FRONT</b> |       |                                                                           |                      |                   |                   |
| 1                     |       | Control Box Door Assembly - w/Hinges, Latch, Gasket, Insulation           | AS-102872-14H        | AS-102872-14H     | AS-102872-14H     |
| 2a                    |       | Bracket - Top Panel (Left)                                                | AS-102859-16H        | AS-102859-16H     | AS-102859-16H     |
| 2b                    |       | Bracket - Top Panel (Center)                                              | AS-102859-15H        | AS-102859-15H     | AS-102859-15H     |
| 2c                    |       | Post - Blower Section                                                     | AS-102682-12H        | AS-102682-12H     | AS-102682-12H     |
| 3a                    |       | Bracket - Bottom Panel (Left)                                             | AS-102859-17H        | AS-102859-17H     | AS-102859-17H     |
| 3b                    |       | Bracket - Blower/Heater Compartment                                       | AS-102859-14H        | AS-102859-14H     | AS-102859-14H     |
| 3c                    |       | Bracket - Bottom Panel (Right)                                            | AS-102859-13H        | AS-102859-13H     | AS-102859-13H     |
|                       |       | Latch Assembly - Control Box Door (2)                                     | 64-102855-01         | 64-102855-01      | 64-102855-01      |
| 4                     |       | Post Assembly - Indoor Coil Section                                       | AS-90620-17H         | AS-90620-17H      | AS-90620-24H      |
| 5                     |       | Control Box Cover                                                         | AE-90713-02          | AE-90713-02       | AE-90713-02       |
| 6                     |       | Control Mounting Plate                                                    | AE-90712-06          | AE-90712-06       | AE-90712-06       |
| 7a                    |       | Low Voltage Shield (Before F3512) - Upper Straight                        | AE-90742-08          | AE-90742-08       | N/A               |
| 7a                    |       | Low Voltage Shield (After F3512) - Upper Angled                           | AE-90742-12          | AE-90742-12       | AE-90742-12       |
| 7b                    |       | Low Voltage Shield (Before F3512) - Lower                                 | AE-90742-03          | AE-90742-03       | N/A               |
| 7b                    |       | Low Voltage Shield (After F3512) - Lower                                  | AE-90742-11          | AE-90742-11       | AE-90742-11       |
| 7c                    |       | Low Voltage Shield - Middle Strip                                         | AE-90742-09          | AE-90742-09       | AE-90742-09       |
| 8                     |       | Control Box Back Insulation Assembly                                      | AS-90601-06          | AS-90601-06       | AS-90601-06       |
| 9                     |       | Mounting Bracket                                                          | AE-90779-02          | AE-90779-02       | AE-90779-02       |
| 10                    |       | Electric Heat Blockoff Plate                                              | AS-90720-02          | AS-90720-02       | AS-90720-02       |
| 11                    |       | Terminal Block                                                            | See Electrical Group |                   |                   |
| 12                    |       | Electric Heat Access Panel Assembly - w/Hinges, Latch, Gasket, Insulation | AS-102872-18H        | AS-102872-18H     | AS-102872-18H     |
|                       |       | Latch Assembly - Electric Heat Door (2)                                   | 64-102855-01         | 64-102855-01      | 64-102855-01      |
| 13                    |       | Power Entry Plate Assembly                                                | AS-90774-11H         | AS-90774-11H      | AS-90774-11H      |
| 14                    |       | Blower Access Panel Assembly - w/Hinges, Latch, Gasket, Insulation        | AS-102872-16H        | AS-102872-16H     | AS-102872-16H     |
|                       |       | Latch Assembly - Blower Access Panel (3)                                  | 64-102855-01         | 64-102855-01      | 64-102855-01      |
| 16                    |       | Heat Mounting Frame Assembly                                              | AS-90754-02          | AS-90754-02       | AS-90754-02       |
| 17                    |       | Condenser Coil Access Panel - Front                                       | AS-90631-09H         | AS-90631-09H      | AS-90631-11H      |
| 18                    |       | Front Corner Post                                                         | AS-90701-06H         | AS-90701-06H      | AS-90701-05H      |

| No.                                        | Notes | MODEL<br>TECHNICAL VARIATION<br>COOLING CAPACITY | RLNL-<br>G<br>090 | RLNL-<br>G<br>120 | RLNL-<br>G<br>151  |
|--------------------------------------------|-------|--------------------------------------------------|-------------------|-------------------|--------------------|
| <b>PANELS - RIGHT, REAR AND LEFT SIDES</b> |       |                                                  |                   |                   |                    |
| <b>RIGHT:</b>                              |       |                                                  |                   |                   |                    |
| 19                                         |       | Air Stop                                         | N/A               | N/A               | N/A                |
|                                            |       | Louver Panel Assembly                            | AS-90789-01H      | AS-90789-01H      | See<br>Accessories |
| <b>REAR:</b>                               |       |                                                  |                   |                   |                    |
| 21                                         |       | Rear Corner Post                                 | AS-90702-03H      | AS-90702-03H      | AS-90702-04H       |
| 22                                         |       | Condenser Coil Access Panel-Rear                 | AS-90631-05H      | AS-90631-05H      | AS-90631-12H       |
| 23                                         |       | Rear Panel                                       | AS-90618-02H      | AS-90618-02H      | AS-90618-02H       |
| 24                                         |       | Supply Cover                                     | AS-90626-02H      | AS-90626-02H      | AS-90626-02H       |
| 25                                         |       | Return Cover                                     | AS-90628-02H      | AS-90628-02H      | AS-90628-02H       |
| <b>LEFT:</b>                               |       |                                                  |                   |                   |                    |
| 26                                         |       | Upper Left Panel                                 | AS-90624-03H      | AS-90624-03H      | AS-90624-03H       |
| 27                                         |       | Lower Left Panel                                 | AS-90624-04H      | AS-90624-04H      | AS-90624-04H       |
| 28                                         |       | Left Corner Panel                                | AS-90755-07H      | AS-90755-07H      | AS-90755-07H       |
| 29                                         |       | Plate - Receptacle                               | AS-90756-02H      | AS-90756-02H      | AS-90756-02H       |
| 30                                         |       | Plate - Disconnect                               | AS-90756-03H      | AS-90756-03H      | AS-90756-03H       |
| 31                                         |       | Button Plug (2)                                  | 45-22980-06       | 45-22980-06       | 45-22980-06        |
| 32                                         |       | Button Plug                                      | 45-22980-05       | 45-22980-05       | 45-22980-05        |
| <b>TOP:</b>                                |       |                                                  |                   |                   |                    |
| 33                                         |       | Top Panel Assembly                               | AS-90775-38H      | AS-90775-38H      | AS-90775-38H       |
| 34                                         |       | Condenser Top Panel                              | AS-90703-09H      | AS-90703-09H      | AS-90703-08H       |
| 35                                         |       | Venturi (2)                                      | AS-90632-03H      | AS-90632-03H      | AS-90632-03H       |
| 36                                         |       | Wire Grille (2)                                  | 95-100906-09      | 95-100906-09      | 95-100906-09       |
| 43                                         |       | Drain Pan - Removable                            | See Coil Group    |                   |                    |

| No.                                              | Notes | MODEL<br>TECHNICAL VARIATION<br>COOLING CAPACITY | RLNL-<br>G<br>180 | RLNL-<br>G<br>240 | RLNL-<br>G<br>300 |
|--------------------------------------------------|-------|--------------------------------------------------|-------------------|-------------------|-------------------|
| <b>PANELS - RAILS, BASE PANS, INSIDE CABINET</b> |       |                                                  |                   |                   |                   |
| <b>BASE RAILS:</b>                               |       |                                                  |                   |                   |                   |
| A                                                |       | Front                                            | AS-90827-03       | AS-90827-03       | AS-90827-03       |
| B                                                |       | Right                                            | AE-90576-06       | AE-90576-06       | AE-90576-06       |
| C                                                |       | Rear                                             | AS-90827-04       | AS-90827-04       | AS-90827-04       |
| D                                                |       | Left                                             | AE-90576-05       | AE-90576-05       | AE-90576-05       |
| <b>BASE PANS:</b>                                |       |                                                  |                   |                   |                   |
| E                                                |       | Outdoor Base Pan                                 | AS-90583-09H      | AS-90583-09H      | AS-90583-09H      |
| F                                                |       | Indoor Coil Base Pan - Return Air                | AS-90577-09       | AS-90577-09       | AS-90577-09       |
| G                                                |       | Indoor Coil Base Pan - Supply Air                | AS-90577-10       | AS-90577-10       | AS-90577-10       |
| <b>INSIDE CABINET PANEL/PIECES:</b>              |       |                                                  |                   |                   |                   |
| H 1                                              |       | Entry Plate                                      | AE-90614-01       | AE-90614-01       | AE-90614-01       |
| H 2                                              |       | Entry Plate - Rooftop                            | AE-90614-02       | AE-90614-02       | AE-90614-02       |
| I                                                |       | Post - Blower Section                            | AS-102682-07H     | AS-102682-07H     | AS-102682-07H     |
| J                                                |       | Heat Compartment Side                            | AE-90598-08       | AE-90598-08       | AE-90598-08       |
| K                                                |       | Blower Deck Assembly                             | AS-90592-11       | AS-90592-11       | AS-90592-11       |
| L                                                |       | Wireway                                          | AE-90718-04       | AE-90718-04       | AE-90718-04       |
| M                                                |       | Condenser Bulkhead                               | AS-90609-17       | AS-90609-17       | AS-90609-17       |
| N                                                |       | Divider Panel - Between Coils                    | AE-90735-05       | AE-90735-05       | AE-90735-05       |
| O                                                |       | Bulkhead Support                                 | AE-102725-01      | AE-102725-01      | AE-102725-01      |
| P                                                |       | Primary Drain Pan                                | AS-103030-02      | AS-103030-02      | AS-103030-02      |
|                                                  |       | Air Stop - Outdoor Coil- Front                   | AE-90706-13       | AE-90706-13       | AE-90706-13       |
|                                                  |       | Air Stop - Outdoor Coil- Rear                    | AE-90706-12       | AE-90706-12       | AE-90706-12       |
| U                                                |       | Coil Support Top                                 | AE-102700-03      | AE-102700-03      | AE-102700-03      |

| No.                                   | Notes | MODEL<br>TECHNICAL VARIATION<br>COOLING CAPACITY                          | RLNL-<br>G<br>180    | RLNL-<br>G<br>240 | RLNL-<br>G<br>300 |
|---------------------------------------|-------|---------------------------------------------------------------------------|----------------------|-------------------|-------------------|
| <b>PANELS - FRONT AND RIGHT SIDES</b> |       |                                                                           |                      |                   |                   |
| 1                                     |       | Control Box Door Assembly - w/Hinges, Latch, Gasket, Insulation           | AS-102872-04H        | AS-102872-04H     | AS-102872-04H     |
| 2a                                    |       | Bracket - Top Panel (Left)                                                | AS-102859-01H        | AS-102859-01H     | AS-102859-01H     |
| 2b                                    |       | Bracket - Top Panel (Center)                                              | AS-102969-01H        | AS-102969-01H     | AS-102969-01H     |
| 2c                                    |       | Post - Blower Section                                                     | AS-102682-07H        | AS-102682-07H     | AS-102682-07H     |
| 3a                                    |       | Bracket - Bottom Panel (Left)                                             | AS-102859-02H        | AS-102859-02H     | AS-102859-02H     |
| 3b                                    |       | Bracket - Blower/Heater Compartment                                       | AS-102859-11H        | AS-102859-11H     | AS-102859-11H     |
| 3c                                    |       | Bracket - Bottom Panel (Right)                                            | AS-102859-12H        | AS-102859-12H     | AS-102859-12H     |
| 4                                     |       | Post Assembly - Indoor Coil Section                                       | AS-90620-15H         | AS-90620-15H      | AS-90620-15H      |
| 5                                     |       | Control Box Cover                                                         | AE-90713-05          | AE-90713-05       | AE-90713-05       |
| 6                                     |       | Control Mounting Panel                                                    | AE-90712-05          | AE-90712-05       | AE-90712-05       |
| 7a                                    |       | Low Voltage Shield - Control Box (Upper Right)                            | AE-90742-07          | AE-90742-07       | AE-90742-07       |
| 7b                                    |       | Low Voltage Shield - Control Box (Lower Left)                             | AE-90742-06          | AE-90742-06       | AE-90742-06       |
| 7c                                    |       | Thermostat Chase Cover                                                    | AE-102722-01         | AE-102722-01      | AE-102722-01      |
| 8                                     |       | Control Box Back                                                          | AS-90601-05          | AS-90601-05       | AS-90601-05       |
| 9                                     |       | Mounting Bracket                                                          | AE-90779-02          | AE-90779-02       | AE-90779-02       |
| 10                                    |       | Electric Heat Blockoff Plate Assembly (models with no heat)               | AS-90720-03          | AS-90720-03       | AS-90720-03       |
| 11                                    |       | Terminal Block - Heat Compartment                                         | See Electrical Group |                   |                   |
| 12                                    |       | Electric Heat Access Panel Assembly - w/Hinges, Latch, Gasket, Insulation | AS-102872-06H        | AS-102872-06H     | AS-102872-06H     |
| 13                                    |       | Power Entry Plate Assembly                                                | AS-90774-13H         | AS-90774-13H      | AS-90774-13H      |
| 14                                    |       | Blower Access Panel Assembly - w/Hinges, Latch, Gasket, Insulation        | AS-102872-02H        | AS-102872-02H     | AS-102872-02H     |
| 15                                    |       | Ground Lug - Heat Compartment                                             | See Electrical Group |                   |                   |
| 16                                    |       | Mounting Frame - Heat Exchanger Frame                                     | AS-90754-04          | AS-90754-04       | AS-90754-04       |
| 17                                    |       | Condenser Coil Access Panel-Front                                         | AS-90734-08H         | AS-90734-08H      | AS-90734-08H      |
| 38c                                   |       | Post - Outdoor Coil (Front)                                               | See Coil Group       |                   |                   |
| 39c                                   |       | Post - Outdoor Coil (Rear)                                                | See Coil Group       |                   |                   |
|                                       |       | Louver Panel (Hail Guard) - Left                                          | AS-90789-10H         | AS-90789-10H      | AS-90789-10H      |
|                                       |       | Louver Panel (Hail Guard) - Right                                         | AS-90789-09H         | AS-90789-09H      | AS-90789-09H      |

| No.                                 | Notes | MODEL<br>TECHNICAL VARIATION<br>COOLING CAPACITY | RLNL-<br>G<br>180   | RLNL-<br>G<br>240   | RLNL-<br>G<br>300   |
|-------------------------------------|-------|--------------------------------------------------|---------------------|---------------------|---------------------|
| <b>PANELS - REAR, LEFT, AND TOP</b> |       |                                                  |                     |                     |                     |
| <b>REAR:</b>                        |       |                                                  |                     |                     |                     |
| 22                                  |       | Condenser Coil Access Panel-Rear                 | AS-90734-09H        | AS-90734-09H        | AS-90734-09H        |
| 23                                  |       | Rear Panel - Right                               | AS-90618-08H        | AS-90618-08H        | AS-90618-08H        |
| 24                                  |       | Supply Cover                                     | AS-90628-03H        | AS-90628-03H        | AS-90628-03H        |
| 25                                  |       | Return Cover                                     | AS-90628-04H        | AS-90628-04H        | AS-90628-04H        |
| <b>LEFT:</b>                        |       |                                                  |                     |                     |                     |
| 26                                  |       | Upper Left Panel                                 | AS-90624-09H        | AS-90624-09H        | AS-90624-09H        |
| 27                                  |       | Lower Left Panel                                 | AS-90624-08H        | AS-90624-08H        | AS-90624-08H        |
| 28                                  |       | Left Corner Panel Assembly                       | AS-90755-05H        | AS-90755-05H        | AS-90755-05H        |
|                                     |       | Bracket - Left Corner Panel Assembly (2)         | AE-90779-01         | AE-90779-01         | AE-90779-01         |
|                                     |       | Gasket for receptacle plate                      | 68-42514-08         | 68-42514-08         | 68-42514-08         |
|                                     |       | Gasket for disconnect plate                      | 68-42514-09         | 68-42514-09         | 68-42514-09         |
| 29                                  |       | Plate - Install inside Panel-Receptacle          | AS-90756-02H        | AS-90756-02H        | AS-90756-02H        |
| 30                                  |       | Plate - Install inside Panel-Disconnect          | AS-90756-03H        | AS-90756-03H        | AS-90756-03H        |
| 31                                  |       | Button Plug (3)                                  | 45-42558-01         | 45-42558-01         | 45-42558-01         |
| 32                                  |       | Star Bushing (3)                                 | 45-18515-01         | 45-18515-01         | 45-18515-01         |
| <b>TOP:</b>                         |       |                                                  |                     |                     |                     |
| 33a                                 |       | Top Panel Assembly - Right                       | AS-90616-04H        | AS-90616-04H        | AS-90616-04H        |
| 33b                                 |       | Top Panel Assembly - Left                        | AS-90616-05H        | AS-90616-05H        | AS-90616-05H        |
| 34a                                 |       | Top Panel - Front                                | AS-90633-10H        | AS-90633-10H        | AS-90633-10H        |
| 34b                                 |       | Top Panel - Middle                               | AS-90633-12H        | AS-90633-11H        | AS-90633-11H        |
| 34c                                 |       | Top Panel - Rear                                 | AS-90633-09H        | AS-90633-09H        | AS-90633-09H        |
| 35                                  |       | Venturi                                          | AS-90632-03H<br>(4) | AS-90632-03H<br>(6) | AS-90632-03H<br>(6) |
| 36                                  |       | Wire Grille                                      | 95-100906-09<br>(4) | 95-100906-09<br>(6) | 95-100906-09<br>(6) |
| 43                                  |       | Drain Pan - Removable                            | See Coil Group      |                     |                     |



| No.                            | Notes | MODEL<br>TECHNICAL VARIATION<br>COOLING CAPACITY<br>ELECTRICAL DESIGNATION                    | RLNL-<br>G<br>036-060<br>C | RLNL-<br>G<br>036-060<br>D |
|--------------------------------|-------|-----------------------------------------------------------------------------------------------|----------------------------|----------------------------|
| <b>ELECTRIC GROUP</b>          |       |                                                                                               |                            |                            |
|                                |       | Outlet Box                                                                                    | 45-41952-02                | 45-41952-02                |
|                                |       | Receptacle Cover                                                                              | 45-41953-02                | 45-41953-02                |
|                                |       | Receptacle - Ground Fault                                                                     | 45-41954-01                | 45-41954-01                |
|                                |       | Pressure Switch Assembly - (Clogged Filter and Fan Proving)                                   | 42-103320-26               | 42-103320-26               |
|                                |       | Temperature Sensor/Clip Assembly (Liquid Line, LLS1)                                          | 47-102710-08               | 47-102710-08               |
| <b>CONTROL BOX COMPONENTS:</b> |       |                                                                                               |                            |                            |
| 35                             |       | Capacitor (Fan Only)                                                                          | See Fan Group              |                            |
|                                |       | Strap - Capacitor                                                                             | AE-50892-01                | AE-50892-01                |
|                                |       | Fan Controller                                                                                | 47-104039-01               | 47-104039-01               |
| 36                             | Stk   | Comfort Alert                                                                                 | 42-101504-03               | 42-101504-03               |
| 37                             | Stk   | Blower Contactor - Belt Drive                                                                 | 42-102664-08               | 42-102664-08               |
| 38                             | Stk   | Low Voltage Shield                                                                            | AE-103285-01               | AE-103285-01               |
| 39                             | Stk   | Compressor Contactor                                                                          | 42-102664-08               | 42-102664-08               |
| 40                             | Stk   | Transformer                                                                                   | 46-42515-04                | 46-42515-05                |
| 41                             |       | Unit Controller (RTU-C)                                                                       | 47-102883-02               | 47-102883-02               |
|                                |       | Low Ambient Control                                                                           | See Accessories            |                            |
| 91                             | Stk   | Low Pressure Control                                                                          | 47-102240-03               | 47-102240-03               |
| 92                             | Stk   | High Pressure Control                                                                         | 47-23699-04                | 47-23699-04                |
| <b>WIRING HARNESES:</b>        |       |                                                                                               |                            |                            |
|                                |       | Wiring Harness - Twist Loc 6 Pin to (6 Pin 3 Strip Leads)                                     | 45-102819-03               | 45-102819-03               |
|                                |       | Wiring Harness - Reheat (12 pin to 6 terminals, Temperature Sensor LLS2, 2 stripped wires)    | 45-42522-115               | 45-42522-115               |
|                                |       | Jumper - 7 Pin Connector (Unit Configuration)                                                 | 45-42522-103               | 45-42522-103               |
|                                |       | Wiring Harness - Economizer (8 Pin and 9 Pin) to (12 Pin, 4 Pin, 4 Connectors, and 2 Sensors) | 45-42522-107               | 45-42522-107               |
|                                |       | Wiring Harness - Compressor Control 14 Pin to (two 2 Pin Connectors and 2 Sensors)            | 45-42522-111               | 45-42522-111               |

| No.                                      | Notes | MODEL<br>TECHNICAL VARIATION<br>COOLING CAPACITY<br>ELECTRICAL DESIGNATION                          | RLNL-<br>G<br>090<br>C    | RLNL-<br>G<br>120<br>C | RLNL-<br>G<br>151<br>C |
|------------------------------------------|-------|-----------------------------------------------------------------------------------------------------|---------------------------|------------------------|------------------------|
| <b>ELECTRICAL GROUP</b>                  |       |                                                                                                     |                           |                        |                        |
| <b>CONTROL BOX COMPONENTS: (57 - 62)</b> |       |                                                                                                     |                           |                        |                        |
| 57                                       | Stk   | Transformer - Control                                                                               | 46-42515-04               | 46-42515-04            | 46-42515-04            |
| 58a                                      |       | Double Row Terminal Block                                                                           | 45-42548-02               | 45-42548-02            | 45-42548-02            |
| 58b                                      |       | Blower Relay                                                                                        | 42-21571-08               | 42-21571-08            | 42-21571-08            |
| 58c                                      |       | Ground Lug                                                                                          | 45-19000-02               | 45-19000-02            | 45-19000-02            |
| 58d                                      |       | Accessory Relay                                                                                     | 42-19736-05               | 42-19736-05            | 42-19736-05            |
| 60                                       |       | Capacitor - Fan Motor                                                                               | See Fan Group             |                        |                        |
| 61a                                      | Stk   | Unit Controller (RTU-C)                                                                             | 47-102883-02              | 47-102883-02           | 47-102883-02           |
| 61b                                      | Stk   | Controller - Outdoor Fan Motor                                                                      | 47-104039-01              | 47-104039-01           | 47-104039-01           |
| 61c                                      | Stk   | Variable Frequency Drive (VFD) - Drive Package R                                                    | 47-104280-01              | 47-104280-01           | 47-104282-01           |
| 61c                                      | Stk   | Variable Frequency Drive (VFD) - Drive Package S                                                    | 47-104280-01              | 47-104281-01           | 47-104282-01           |
| 61c                                      | Stk   | Variable Frequency Drive (VFD) - Drive Package T                                                    | 47-104281-01              | N/A                    | N/A                    |
| 62a                                      | Stk   | Contactora - Compressor                                                                             | 42-102664-08              | 42-102664-08           | 42-102664-08           |
| 62b                                      | Stk   | Contactora w/Auxiliary Switch - Compressor                                                          | 42-102664-14              | 42-102664-14           | 42-102664-14           |
|                                          |       | Comfort Alert                                                                                       | 42-101504-03              | 42-101504-03           | 42-101504-03           |
|                                          |       | Low Ambient Control Assembly                                                                        | AS-103034-01              | AS-103034-01           | AS-103034-01           |
|                                          |       | Pressure Switch                                                                                     | See Heat Exchanger/Burner |                        |                        |
|                                          |       | Pressure Switch Assembly - (Clogged Filter and Fan Proving)                                         | 42-103320-27              | 42-103320-27           | 42-103320-27           |
|                                          |       | Outlet Box                                                                                          | 45-41952-02               | 45-41952-02            | 45-41952-02            |
|                                          |       | Cover - Receptacle                                                                                  | 45-41953-02               | 45-41953-02            | 45-41953-02            |
|                                          |       | Receptacle/Ground Fault                                                                             | 45-41954-01               | 45-41954-01            | 45-41954-01            |
|                                          |       | High Pressure Control (2)                                                                           | See Coil Group            |                        |                        |
|                                          |       | Low Pressure Control (2)                                                                            | See Coil Group            |                        |                        |
| <b>WIRING HARNESES:</b>                  |       |                                                                                                     |                           |                        |                        |
|                                          |       | Wiring Harness - Fan Motor #1                                                                       | See Fan Group             |                        |                        |
|                                          |       | Wiring Harness - Fan Motor #2                                                                       | See Fan Group             |                        |                        |
|                                          |       | Wiring Harness - Twist-Loc (12 Pin and 4 Pin) to 9 Pin                                              | 45-42522-100              | 45-42522-100           | 45-42522-100           |
|                                          |       | Wiring Harness - 12 Pin from Rooftop Control Unit to (6 Connectors and 1 Temperature Sensor)        | 45-42522-120              | 45-42522-120           | 45-42522-120           |
|                                          |       | Wiring Harness - 4 Pin from Rooftop Control Unit to (3 strip leads for Variable Frequency Drive)    | 45-42522-121              | 45-42522-121           | 45-42522-121           |
|                                          |       | Wirng Harness - Main Power                                                                          | 45-42522-09               | 45-42522-09            | 45-42522-09            |
|                                          |       | Wiring Harness - Sensor (8 Pin to 4 Connectors and 2 Temperature Sensors)                           | 45-42522-98               | 45-42522-98            | 45-42522-98            |
|                                          |       | Jumper - Unit Configuration (7 Pin Connector)                                                       | 45-42522-104              | 45-42522-104           | 45-42522-104           |
|                                          |       | Wiring Harness - Compressor Control (14 Pin to Four 2 Pin Connectors and Three Temperature Sensors) | 45-42522-99               | 45-42522-99            | 45-42522-99            |
|                                          |       | Plug Harness - Compressor                                                                           | See Compressor Group      |                        |                        |
|                                          |       | Wiring Harness - 6 Pin to Heater Kit                                                                | 45-102706-09              | 45-102706-09           | 45-102706-09           |
|                                          |       | Bypass Plug - Economizer 12 Pin                                                                     | AS-61997-55               | AS-61997-55            | AS-61997-55            |

| No.                                      | Notes | MODEL<br>TECHNICAL VARIATION<br>COOLING CAPACITY<br>ELECTRICAL DESIGNATION                          | RLNL-<br>G<br>090<br>D    | RLNL-<br>G<br>120<br>D | RLNL-<br>G<br>151<br>D |
|------------------------------------------|-------|-----------------------------------------------------------------------------------------------------|---------------------------|------------------------|------------------------|
| <b>ELECTRICAL GROUP</b>                  |       |                                                                                                     |                           |                        |                        |
| <b>CONTROL BOX COMPONENTS: (57 - 62)</b> |       |                                                                                                     |                           |                        |                        |
| 57                                       | Stk   | Transformer - Control                                                                               | 46-42515-05               | 46-42515-05            | 46-42515-05            |
| 58a                                      |       | Double Row Terminal Block                                                                           | 45-42548-02               | 45-42548-02            | 45-42548-02            |
| 58b                                      |       | Blower Relay                                                                                        | 42-21571-08               | 42-21571-08            | 42-21571-08            |
| 58c                                      |       | Ground Lug                                                                                          | 45-19000-02               | 45-19000-02            | 45-19000-02            |
| 58d                                      |       | Accessory Relay                                                                                     | 42-19736-05               | 42-19736-05            | 42-19736-05            |
| 60                                       |       | Capacitor - Fan Motor                                                                               | See Fan Group             |                        |                        |
| 61a                                      | Stk   | Unit Controller (RTU-C)                                                                             | 47-102883-02              | 47-102883-02           | 47-102883-02           |
| 61b                                      | Stk   | Controller - Outdoor Fan Motor                                                                      | 47-104039-01              | 47-104039-01           | 47-104039-01           |
| 61c                                      | Stk   | Variable Frequency Drive (VFD) - Drive Package R                                                    | 47-104285-01              | 47-104285-01           | 47-104287-01           |
| 61c                                      | Stk   | Variable Frequency Drive (VFD) - Drive Package S                                                    | 47-104285-01              | 47-104286-01           | 47-104287-01           |
| 61c                                      | Stk   | Variable Frequency Drive (VFD) - Drive Package T                                                    | 47-104286-01              | N/A                    | N/A                    |
| 62a                                      | Stk   | Contactora - Compressor                                                                             | 42-102664-08              | 42-102664-08           | 42-102664-08           |
| 62b                                      | Stk   | Contactora w/Auxiliary Switch - Compressor                                                          | 42-102664-14              | 42-102664-14           | 42-102664-14           |
|                                          |       | Comfort Alert                                                                                       | 42-101504-03              | 42-101504-03           | 42-101504-03           |
|                                          |       | Low Ambient Control Assembly                                                                        | AS-103034-01              | AS-103034-01           | AS-103034-01           |
|                                          |       | Pressure Switch                                                                                     | See Heat Exchanger/Burner |                        |                        |
|                                          |       | Pressure Switch Assembly - (Clogged Filter and Fan Proving)                                         | 42-103320-27              | 42-103320-27           | 42-103320-27           |
|                                          |       | Outlet Box                                                                                          | 45-41952-02               | 45-41952-02            | 45-41952-02            |
|                                          |       | Cover - Receptacle                                                                                  | 45-41953-02               | 45-41953-02            | 45-41953-02            |
|                                          |       | Receptacle/Ground Fault                                                                             | 45-41954-01               | 45-41954-01            | 45-41954-01            |
|                                          |       | High Pressure Control (2)                                                                           | See Coil Group            |                        |                        |
|                                          |       | Low Pressure Control (2)                                                                            | See Coil Group            |                        |                        |
| <b>WIRING HARNESES:</b>                  |       |                                                                                                     |                           |                        |                        |
|                                          |       | Wiring Harness - Fan Motor #1                                                                       | See Fan Group             |                        |                        |
|                                          |       | Wiring Harness - Fan Motor #2                                                                       | See Fan Group             |                        |                        |
|                                          |       | Wiring Harness - Twist-Loc (12 Pin and 4 Pin) to 9 Pin                                              | 45-42522-100              | 45-42522-100           | 45-42522-100           |
|                                          |       | Wiring Harness - 12 Pin from Rooftop Control Unit to (6 Connectors and 1 Temperature Sensor)        | 45-42522-120              | 45-42522-120           | 45-42522-120           |
|                                          |       | Wiring Harness - 4 Pin from Rooftop Control Unit to (3 strip leads for Variable Frequency Drive)    | 45-42522-121              | 45-42522-121           | 45-42522-121           |
|                                          |       | Wirng Harness - Main Power                                                                          | 45-42522-09               | 45-42522-09            | 45-42522-09            |
|                                          |       | Wiring Harness - Sensor (8 Pin to 4 Connectors and 2 Temperature Sensors)                           | 45-42522-98               | 45-42522-98            | 45-42522-98            |
|                                          |       | Jumper - Unit Configuration (7 Pin Connector)                                                       | 45-42522-104              | 45-42522-104           | 45-42522-104           |
|                                          |       | Wiring Harness - Compressor Control (14 Pin to Four 2 Pin Connectors and Three Temperature Sensors) | 45-42522-99               | 45-42522-99            | 45-42522-99            |
|                                          |       | Plug Harness - Compressor                                                                           | See Compressor Group      |                        |                        |
|                                          |       | Wiring Harness - 6 Pin to Heater Kit                                                                | 45-102706-09              | 45-102706-09           | 45-102706-09           |
|                                          |       | Bypass Plug - Economizer 12 Pin                                                                     | AS-61997-55               | AS-61997-55            | AS-61997-55            |

| No.                            | Notes | MODEL<br>TECHNICAL VARIATION<br>COOLING CAPACITY<br>ELECTRICAL DESIGNATION                          | RLNL-<br>G<br>180<br>C | RLNL-<br>G<br>240<br>C | RLNL-<br>G<br>300<br>C |
|--------------------------------|-------|-----------------------------------------------------------------------------------------------------|------------------------|------------------------|------------------------|
| <b>ELECTRIC GROUP</b>          |       |                                                                                                     |                        |                        |                        |
| 11                             |       | Terminal Block - Heater Compartment                                                                 | 45-21134-04            | 45-21134-04            | 45-21134-04            |
| 15                             |       | Ground Lug - Heater Compartment                                                                     | 45-19000-02            | 45-19000-02            | 45-19000-02            |
| <b>CONTROL BOX COMPONENTS:</b> |       |                                                                                                     |                        |                        |                        |
| 57a                            | Stk   | Transformer - Control                                                                               | 46-42515-04            | 46-42515-04            | 46-42515-04            |
| 57b                            | Stk   | Transformer - Discharge Solenoid Relay                                                              | 46-103324-01           | 46-103324-01           | 46-103324-01           |
| 58a                            |       | Terminal Block - Double Row                                                                         | 45-42548-02            | 45-42548-02            | 45-42548-02            |
| 58b                            |       | Terminal Block - Power Block                                                                        | 45-41765-01            | 45-41765-01            | 45-41765-01            |
| 58c                            |       | Ground Lug                                                                                          | 45-19000-02            | 45-19000-02            | 45-19000-02            |
| 58d                            |       | Accessory Relay                                                                                     | 42-19736-05            | 42-19736-05            | 42-19736-05            |
| 58e                            |       | Discharge Solenoid Relay                                                                            | 42-21571-08            | 42-21571-08            | 42-21571-08            |
| 59                             | Stk   | Blower Relay                                                                                        | 42-21571-08            | 42-21571-08            | 42-21571-08            |
|                                |       | Pressure Switch Assembly - (Clogged Filter and Fan Proving)                                         | 42-103320-27           | 42-103320-27           | 42-103320-27           |
|                                |       | Disconnect Switch Assembly                                                                          | 42-42559-02            | 42-42559-02            | 42-42559-02            |
|                                |       | Outlet Box                                                                                          | 45-41952-02            | 45-41952-02            | 45-41952-02            |
|                                |       | Cover - Receptacle                                                                                  | 45-41953-02            | 45-41953-02            | 45-41953-02            |
|                                |       | Receptacle/Ground Fault                                                                             | 45-41954-01            | 45-41954-01            | 45-41954-01            |
|                                |       | Low Ambient Assembly                                                                                | AS-103034-01           | AS-103034-01           | AS-103034-01           |
| 60                             |       | Run Capacitor                                                                                       |                        | See Fan Group          |                        |
|                                |       | High Pressure Control                                                                               |                        | See Coil Group         |                        |
|                                |       | Low Pressure Control                                                                                |                        | See Coil Group         |                        |
| 61b                            | Stk   | Unit Controller (RTU-C)                                                                             | 47-102883-02           | 47-102883-02           | 47-102883-02           |
| 61c                            | Stk   | Controller - Outdoor Fan Motor                                                                      | 47-104039-01           | 47-104039-01           | 47-104039-01           |
| 61d                            | Stk   | Variable Frequency Drive (VFD) - Drive Package R                                                    | 47-104281-01           | 47-104282-01           | 47-104283-01           |
| 61d                            | Stk   | Variable Frequency Drive (VFD) - Drive Package S                                                    | 47-104282-01           | 47-104283-01           | 47-104284-01           |
| 61d                            | Stk   | Variable Frequency Drive (VFD) - Drive Package T                                                    | N/A                    | N/A                    | N/A                    |
| 62a                            | Stk   | Compressor Contactor                                                                                | 42-102664-12           | 42-102664-12           | 42-102664-26           |
| 62b                            | Stk   | Compressor Contactor                                                                                | 42-102664-12           | 42-102664-26           | 42-102664-26           |
| 62c                            |       | Comfort Alert (2)                                                                                   | 42-101504-03           | 42-101504-03           | 42-101504-03           |
| <b>WIRING HARNESES:</b>        |       |                                                                                                     |                        |                        |                        |
|                                |       | Wiring Harness - Motor #1                                                                           |                        | See Fan Group          |                        |
|                                |       | Wiring Harness - Motor #2                                                                           |                        | See Fan Group          |                        |
|                                |       | Plug Harness - Compressor                                                                           |                        | See Compressor Group   |                        |
|                                |       | Wiring Harness - Main Power                                                                         | 45-42522-92            | 45-42522-92            | 45-42522-92            |
|                                |       | Jumper - 7 Pin Connector                                                                            | 45-42522-104           | 45-42522-104           | 45-42522-104           |
|                                |       | Bypass Plug - Economizer 12 Pin                                                                     | AS-61997-55            | AS-61997-55            | AS-61997-55            |
|                                |       | Wiring Harness - 6 Pin to Heater Kit                                                                | 45-42522-91            | 45-42522-91            | 45-42522-91            |
|                                |       | Wiring Harness - Economizer (12 pin and 4 pin to 9 pin)                                             | 45-42522-93            | 45-42522-93            | 45-42522-93            |
|                                |       | Wiring Harness - 8 Pin to 4 Connectors and 2 Temperature Sensors                                    | 45-42522-98            | 45-42522-98            | 45-42522-98            |
|                                |       | Wiring Harness - Compressor Control (14 Pin to Four 2 Pin Connectors and Three Temperature Sensors) | 45-42522-118           | 45-42522-118           | 45-42522-118           |
|                                |       | Wiring Harness - 12 Pin to Flame Sensor                                                             | 45-42522-119           | 45-42522-119           | 45-42522-119           |
|                                |       | Wiring Harness - 4 Pin to Variable Frequency Drive (VFD)                                            | 45-42522-120           | 45-42522-120           | 45-42522-120           |

| No.                            | Notes | MODEL<br>TECHNICAL VARIATION<br>COOLING CAPACITY<br>ELECTRICAL DESIGNATION                          | RLNL-<br>G<br>180<br>D | RLNL-<br>G<br>240<br>D | RLNL-<br>G<br>300<br>D |
|--------------------------------|-------|-----------------------------------------------------------------------------------------------------|------------------------|------------------------|------------------------|
| <b>ELECTRIC GROUP</b>          |       |                                                                                                     |                        |                        |                        |
| 11                             |       | Terminal Block - Heater Compartment                                                                 | 45-21134-04            | 45-21134-04            | 45-21134-04            |
| 15                             |       | Ground Lug - Heater Compartment                                                                     | 45-19000-02            | 45-19000-02            | 45-19000-02            |
| <b>CONTROL BOX COMPONENTS:</b> |       |                                                                                                     |                        |                        |                        |
| 57a                            | Stk   | Transformer - Control                                                                               | 46-42515-05            | 46-42515-05            | 46-42515-05            |
| 57b                            | Stk   | Transformer - Discharge Solenoid Relay                                                              | 46-103324-02           | 46-103324-02           | 46-103324-02           |
| 58a                            |       | Terminal Block - Double Row                                                                         | 45-42548-02            | 45-42548-02            | 45-42548-02            |
| 58b                            |       | Terminal Block - Power Block                                                                        | 45-41765-01            | 45-41765-01            | 45-41765-01            |
| 58c                            |       | Ground Lug                                                                                          | 45-19000-02            | 45-19000-02            | 45-19000-02            |
| 58d                            |       | Accessory Relay                                                                                     | 42-19736-05            | 42-19736-05            | 42-19736-05            |
| 58e                            |       | Discharge Solenoid Relay                                                                            | 42-21571-08            | 42-21571-08            | 42-21571-08            |
| 59                             | Stk   | Blower Relay                                                                                        | 42-21571-08            | 42-21571-08            | 42-21571-08            |
|                                |       | Pressure Switch Assembly - (Clogged Filter and Fan Proving)                                         | 42-103320-27           | 42-103320-27           | 42-103320-27           |
|                                |       | Disconnect Switch Assembly                                                                          | 42-42559-02            | 42-42559-02            | 42-42559-02            |
|                                |       | Outlet Box                                                                                          | 45-41952-02            | 45-41952-02            | 45-41952-02            |
|                                |       | Cover - Receptacle                                                                                  | 45-41953-02            | 45-41953-02            | 45-41953-02            |
|                                |       | Receptacle/Ground Fault                                                                             | 45-41954-01            | 45-41954-01            | 45-41954-01            |
|                                |       | Low Ambient Assembly                                                                                | AS-103034-01           | AS-103034-01           | AS-103034-01           |
| 60                             |       | Run Capacitor                                                                                       |                        | See Fan Group          |                        |
|                                |       | High Pressure Control                                                                               |                        | See Coil Group         |                        |
|                                |       | Low Pressure Control                                                                                |                        | See Coil Group         |                        |
| 61b                            | Stk   | Unit Controller (RTU-C)                                                                             | 47-102883-02           | 47-102883-02           | 47-102883-02           |
| 61c                            | Stk   | Controller - Outdoor Fan Motor                                                                      | 47-104039-01           | 47-104039-01           | 47-104039-01           |
| 61d                            | Stk   | Variable Frequency Drive (VFD) - Drive Package R                                                    | 47-104286-01           | 47-104287-01           | 47-104288-01           |
| 61d                            | Stk   | Variable Frequency Drive (VFD) - Drive Package S                                                    | 47-104287-01           | 47-104288-01           | 47-104289-01           |
| 61d                            | Stk   | Variable Frequency Drive (VFD) - Drive Package T                                                    | N/A                    | N/A                    | N/A                    |
| 62a                            | Stk   | Compressor Contactor                                                                                | 42-102664-12           | 42-102664-12           | 42-102664-26           |
| 62b                            | Stk   | Compressor Contactor                                                                                | 42-102664-12           | 42-102664-26           | 42-102664-26           |
| 62c                            |       | Comfort Alert (2)                                                                                   | 42-101504-03           | 42-101504-03           | 42-101504-03           |
| <b>WIRING HARNESES:</b>        |       |                                                                                                     |                        |                        |                        |
|                                |       | Wiring Harness - Motor #1                                                                           |                        | See Fan Group          |                        |
|                                |       | Wiring Harness - Motor #2                                                                           |                        | See Fan Group          |                        |
|                                |       | Plug Harness - Compressor                                                                           |                        | See Compressor Group   |                        |
|                                |       | Wiring Harness - Main Power                                                                         | 45-42522-92            | 45-42522-92            | 45-42522-92            |
|                                |       | Jumper - 7 Pin Connector                                                                            | 45-42522-104           | 45-42522-104           | 45-42522-104           |
|                                |       | Bypass Plug - Economizer 12 Pin                                                                     | AS-61997-55            | AS-61997-55            | AS-61997-55            |
|                                |       | Wiring Harness - 6 Pin to Heater Kit                                                                | 45-42522-91            | 45-42522-91            | 45-42522-91            |
|                                |       | Wiring Harness - Economizer (12 pin and 4 pin to 9 pin)                                             | 45-42522-93            | 45-42522-93            | 45-42522-93            |
|                                |       | Wiring Harness - 8 Pin to 4 Connectors and 2 Temperature Sensors                                    | 45-42522-98            | 45-42522-98            | 45-42522-98            |
|                                |       | Wiring Harness - Compressor Control (14 Pin to Four 2 Pin Connectors and Three Temperature Sensors) | 45-42522-118           | 45-42522-118           | 45-42522-118           |
|                                |       | Wiring Harness - 12 Pin to Flame Sensor                                                             | 45-42522-119           | 45-42522-119           | 45-42522-119           |
|                                |       | Wiring Harness - 4 Pin to Variable Frequency Drive (VFD)                                            | 45-42522-120           | 45-42522-120           | 45-42522-120           |

| No.              | Notes | MODEL<br>TECHNICAL VARIATION<br>COOLING CAPACITY<br>ELECTRICAL DESIGNATION | RLNL-<br>G<br>036<br>C | RLNL-<br>G<br>048<br>C | RLNL-<br>G<br>060<br>C |
|------------------|-------|----------------------------------------------------------------------------|------------------------|------------------------|------------------------|
| <b>FAN GROUP</b> |       |                                                                            |                        |                        |                        |
| 32               | Stk   | Fan Motor                                                                  | 51-100998-30           | 51-100998-30           | 51-100998-32           |
| 33               | Stk   | Capacitor - Fan Motor                                                      | 43-100496-04           | 43-100496-04           | 43-100496-12           |
| 34               | Stk   | Fan Blade                                                                  | 70-23594-01            | 70-23594-01            | 70-42484-01            |

| No.              | Notes | MODEL<br>TECHNICAL VARIATION<br>COOLING CAPACITY<br>ELECTRICAL DESIGNATION | RLNL-<br>G<br>036<br>D | RLNL-<br>G<br>048<br>D | RLNL-<br>G<br>060<br>D |
|------------------|-------|----------------------------------------------------------------------------|------------------------|------------------------|------------------------|
| <b>FAN GROUP</b> |       |                                                                            |                        |                        |                        |
| 32               | Stk   | Fan Motor                                                                  | 51-100998-31           | 51-100998-31           | 51-100998-33           |
| 33               | Stk   | Capacitor - Fan Motor                                                      | 43-100496-04           | 43-100496-04           | 43-100496-12           |
| 34               | Stk   | Fan Blade                                                                  | 70-23594-01            | 70-23594-01            | 70-42484-01            |

| No.              | Notes | MODEL<br>TECHNICAL VARIATION<br>COOLING CAPACITY<br>ELECTRICAL DESIGNATION | RLNL-<br>G<br>090<br>C | RLNL-<br>G<br>120<br>C | RLNL-<br>G<br>151<br>C |
|------------------|-------|----------------------------------------------------------------------------|------------------------|------------------------|------------------------|
| <b>FAN GROUP</b> |       |                                                                            |                        |                        |                        |
| 52               | Stk   | Fan Motor (2)                                                              | 51-42534-24            | 51-42534-24            | 51-42534-29            |
|                  |       | Wiring Harness - Motor #1 (7 wire)                                         | 45-102706-01           | 45-102706-01           | 45-102706-03           |
|                  |       | Wiring Harness - Motor #2 (5 wire)                                         | 45-102706-02           | 45-102706-02           | 45-102706-04           |
| 53               | Stk   | Fan Blade (2)                                                              | 70-42572-04            | 70-42572-04            | 70-21858-18            |
| 60               | Stk   | Capacitor - Fan Motor (2)                                                  | 43-100496-12           | 43-100496-12           | 43-100496-17           |

| No.              | Notes | MODEL<br>TECHNICAL VARIATION<br>COOLING CAPACITY<br>ELECTRICAL DESIGNATION | RLNL-<br>G<br>090<br>D | RLNL-<br>G<br>120<br>D | RLNL-<br>G<br>151<br>D |
|------------------|-------|----------------------------------------------------------------------------|------------------------|------------------------|------------------------|
| <b>FAN GROUP</b> |       |                                                                            |                        |                        |                        |
| 52               | Stk   | Fan Motor (2)                                                              | 51-42534-25            | 51-42534-25            | 51-42534-28            |
|                  |       | Wiring Harness - Motor #1 (7 wire)                                         | 45-102706-01           | 45-102706-01           | 45-102706-03           |
|                  |       | Wiring Harness - Motor #2 (5 wire)                                         | 45-102706-02           | 45-102706-02           | 45-102706-04           |
| 53               | Stk   | Fan Blade (2)                                                              | 70-42572-04            | 70-42572-04            | 70-21858-18            |
| 60               | Stk   | Capacitor - Fan Motor (2)                                                  | 43-100496-12           | 43-100496-12           | 43-100496-12           |

| No.              | Notes | MODEL<br>TECHNICAL VARIATION<br>COOLING CAPACITY<br>ELECTRICAL DESIGNATION | RLNL-<br>G<br>180<br>C | RLNL-<br>G<br>240<br>C | RLNL-<br>G<br>300<br>C |
|------------------|-------|----------------------------------------------------------------------------|------------------------|------------------------|------------------------|
| <b>FAN GROUP</b> |       |                                                                            |                        |                        |                        |
| 52               | Stk   | Fan Motor                                                                  | 51-42534-24<br>(4)     | 51-42534-24<br>(6)     | 51-42534-24<br>(6)     |
|                  |       | Wiring Harness - Motor #1 & #4                                             | 45-42522-71            | 45-42522-71            | 45-42522-71            |
|                  |       | Wiring Harness - Motor #2 & #5                                             | N/A                    | 45-42522-70            | 45-42522-70            |
|                  |       | Wiring Harness - Motor #3 & #6                                             | 45-42522-69            | 45-42522-69            | 45-42522-69            |
| 53               | Stk   | Fan Blade                                                                  | 70-42572-04<br>(4)     | 70-42572-04<br>(6)     | 70-42572-04<br>(6)     |
| 60               | Stk   | Capacitor - Fan Motor                                                      | 43-100496-12<br>(4)    | 43-100496-12<br>(6)    | 43-100496-12<br>(6)    |

| No.              | Notes | MODEL<br>TECHNICAL VARIATION<br>COOLING CAPACITY<br>ELECTRICAL DESIGNATION | RLNL-<br>G<br>180<br>D | RLNL-<br>G<br>240<br>D | RLNL-<br>G<br>300<br>D |
|------------------|-------|----------------------------------------------------------------------------|------------------------|------------------------|------------------------|
| <b>FAN GROUP</b> |       |                                                                            |                        |                        |                        |
| 52               | Stk   | Fan Motor                                                                  | 51-42534-25<br>(4)     | 51-42534-25<br>(6)     | 51-42534-25<br>(6)     |
|                  |       | Wiring Harness - Motor #1 & #4                                             | 45-42522-71            | 45-42522-71            | 45-42522-71            |
|                  |       | Wiring Harness - Motor #2 & #5                                             | N/A                    | 45-42522-70            | 45-42522-70            |
|                  |       | Wiring Harness - Motor #3 & #6                                             | 45-42522-69            | 45-42522-69            | 45-42522-69            |
| 53               | Stk   | Fan Blade                                                                  | 70-42572-04<br>(4)     | 70-42572-04<br>(6)     | 70-42572-04<br>(6)     |
| 60               | Stk   | Capacitor - Fan Motor                                                      | 43-100496-12<br>(4)    | 43-100496-12<br>(6)    | 43-100496-12<br>(6)    |



| No.                                 | Notes | MODEL<br>TECHNICAL VARIATION<br>COOLING CAPACITY<br>ELECTRICAL DESIGNATION<br>DRIVE PACKAGE | RLNL-              | RLNL-              | RLNL-              | RLNL-              |
|-------------------------------------|-------|---------------------------------------------------------------------------------------------|--------------------|--------------------|--------------------|--------------------|
|                                     |       |                                                                                             | G<br>036<br>C<br>L | G<br>036<br>D<br>L | G<br>048<br>C<br>L | G<br>048<br>D<br>L |
| <b>BLOWER ASSEMBLY - BELT DRIVE</b> |       |                                                                                             |                    |                    |                    |                    |
| 62                                  | Stk   | Blower Assembly (Includes items 63-66, 68-73 excluding item 72b)                            | AS-101336-01       | AS-101336-05       | AS-101336-01       | AS-101336-05       |
| 63                                  |       | Housing                                                                                     | AS-101341-01       | AS-101341-01       | AS-101341-01       | AS-101341-01       |
| 64                                  | Stk   | Bearing Frame Tri-Arm (2)                                                                   | 70-41723-03        | 70-41723-03        | 70-41723-03        | 70-41723-03        |
| 65                                  | Stk   | Ball Bearing and Cushion (2)                                                                | 70-41911-01        | 70-41911-01        | 70-41911-01        | 70-41911-01        |
| 66                                  | Stk   | Blower Shaft                                                                                | 70-21933-02        | 70-21933-02        | 70-21933-02        | 70-21933-02        |
| 67                                  | Stk   | Fixed Pitch Sheave                                                                          | 71-100772-04       | 71-100772-03       | 71-100772-04       | 71-100772-03       |
| 68                                  |       | Blower Support - Left                                                                       | AE-58950-02        | AE-58950-02        | AE-58950-02        | AE-58950-02        |
| 69                                  | Stk   | Wheel                                                                                       | 70-23589-01        | 70-23589-01        | 70-23589-01        | 70-23589-01        |
| 70                                  |       | Cut-Off Tabulation                                                                          | AE-64401-05        | AE-64401-05        | AE-64401-05        | AE-64401-05        |
| 74                                  | Stk   | Blower Motor                                                                                | 51-42579-01        | 51-42579-01        | 51-42579-01        | 51-42579-01        |
| 75                                  | Stk   | Variable Pitch Sheave                                                                       | 71-40427-30        | 71-40427-29        | 71-40427-29        | 71-40427-29        |
| 76                                  | Stk   | Belt                                                                                        | 71-40235-43        | 71-40235-43        | 71-40235-43        | 71-40235-43        |

| No.                                 | Notes | MODEL<br>TECHNICAL VARIATION<br>COOLING CAPACITY<br>ELECTRICAL DESIGNATION<br>DRIVE PACKAGE | RLNL-              | RLNL-              | RLNL-              | RLNL-              |
|-------------------------------------|-------|---------------------------------------------------------------------------------------------|--------------------|--------------------|--------------------|--------------------|
|                                     |       |                                                                                             | G<br>036<br>C<br>M | G<br>036<br>D<br>M | G<br>048<br>C<br>M | G<br>048<br>D<br>M |
| <b>BLOWER ASSEMBLY - BELT DRIVE</b> |       |                                                                                             |                    |                    |                    |                    |
| 62                                  | Stk   | Blower Assembly (Includes items 63-66, 68-73 excluding item 72b)                            | AS-101336-05       | AS-101336-05       | AS-101336-05       | AS-101336-05       |
| 63                                  |       | Housing                                                                                     | AS-101341-01       | AS-101341-01       | AS-101341-01       | AS-101341-01       |
| 64                                  | Stk   | Bearing Frame Tri-Arm (2)                                                                   | 70-41723-03        | 70-41723-03        | 70-41723-03        | 70-41723-03        |
| 65                                  | Stk   | Ball Bearing and Cushion (2)                                                                | 70-41911-01        | 70-41911-01        | 70-41911-01        | 70-41911-01        |
| 66                                  | Stk   | Blower Shaft                                                                                | 70-21933-02        | 70-21933-02        | 70-21933-02        | 70-21933-02        |
| 67                                  | Stk   | Fixed Pitch Sheave                                                                          | 71-100772-03       | 71-100772-03       | 71-100772-03       | 71-100772-03       |
| 68                                  |       | Blower Support - Left                                                                       | AE-58950-02        | AE-58950-02        | AE-58950-02        | AE-58950-02        |
| 69                                  | Stk   | Wheel                                                                                       | 70-23589-01        | 70-23589-01        | 70-23589-01        | 70-23589-01        |
| 70                                  |       | Cut-Off Tabulation                                                                          | AE-64401-05        | AE-64401-05        | AE-64401-05        | AE-64401-05        |
| 74                                  | Stk   | Blower Motor                                                                                | 51-21909-01        | 51-21909-01        | 51-21909-01        | 51-21909-01        |
| 75                                  | Stk   | Variable Pitch Sheave                                                                       | 71-40427-25        | 71-40427-25        | 71-40427-25        | 71-40427-25        |
| 76                                  | Stk   | Belt                                                                                        | 71-40235-43        | 71-40235-43        | 71-40235-43        | 71-40235-43        |

| No.                                       | Notes | MODEL<br>TECHNICAL VARIATION<br>COOLING CAPACITY<br>ELECTRICAL DESIGNATION<br>DRIVE PACKAGE | RLNL-                      |  |  |  |
|-------------------------------------------|-------|---------------------------------------------------------------------------------------------|----------------------------|--|--|--|
|                                           |       |                                                                                             | G<br>036-048<br>C/D<br>L/M |  |  |  |
| <b>BLOWER MOTOR MOUNTING - BELT DRIVE</b> |       |                                                                                             |                            |  |  |  |
| 71                                        |       | Blower Bracket                                                                              | AE-101124-01               |  |  |  |
| 72                                        |       | Blower Bracket - Drive Side                                                                 | AE-101124-04               |  |  |  |
| 72a                                       |       | Grommet (Flat)                                                                              | 56-18518-04                |  |  |  |
| 72b                                       |       | Cross Brace                                                                                 | AE-101467-01               |  |  |  |
| 73                                        |       | Motor Mount Assembly                                                                        | AS-101340-01               |  |  |  |

| No.                                 | Notes | MODEL<br>TECHNICAL VARIATION<br>COOLING CAPACITY<br>ELECTRICAL DESIGNATION<br>DRIVE PACKAGE | RLNL-              | RLNL-              |
|-------------------------------------|-------|---------------------------------------------------------------------------------------------|--------------------|--------------------|
|                                     |       |                                                                                             | G<br>060<br>C<br>L | G<br>060<br>D<br>L |
| <b>BLOWER ASSEMBLY - BELT DRIVE</b> |       |                                                                                             |                    |                    |
| 62                                  | Stk   | Blower Assembly (Includes items 63-66, 68-73 excluding item 72b)                            | AS-101336-05       | AS-101336-05       |
| 63                                  |       | Housing                                                                                     | AS-101341-01       | AS-101341-01       |
| 64                                  | Stk   | Bearing Frame Tri-Arm (2)                                                                   | 70-41723-03        | 70-41723-03        |
| 65                                  | Stk   | Ball Bearing and Cushion (2)                                                                | 70-41911-01        | 70-41911-01        |
| 66                                  | Stk   | Blower Shaft                                                                                | 70-21933-02        | 70-21933-02        |
| 67                                  | Stk   | Fixed Pitch Sheave                                                                          | 71-100772-03       | 71-100772-03       |
| 68                                  |       | Blower Support - Left                                                                       | AE-58950-02        | AE-58950-02        |
| 69                                  | Stk   | Wheel                                                                                       | 70-23589-01        | 70-23589-01        |
| 70                                  |       | Cut-Off Tabulation                                                                          | AE-64401-05        | AE-64401-05        |
| 74                                  | Stk   | Blower Motor                                                                                | 51-21909-01        | 51-21909-01        |
| 75                                  | Stk   | Variable Pitch Sheave                                                                       | 71-40427-29        | 71-40427-29        |
| 76                                  | Stk   | Belt                                                                                        | 71-40235-42        | 71-40235-42        |

| No.                                 | Notes | MODEL<br>TECHNICAL VARIATION<br>COOLING CAPACITY<br>ELECTRICAL DESIGNATION<br>DRIVE PACKAGE | RLNL-              | RLNL-              |
|-------------------------------------|-------|---------------------------------------------------------------------------------------------|--------------------|--------------------|
|                                     |       |                                                                                             | G<br>060<br>C<br>M | G<br>060<br>D<br>M |
| <b>BLOWER ASSEMBLY - BELT DRIVE</b> |       |                                                                                             |                    |                    |
| 62                                  | Stk   | Blower Assembly (Includes items 63-66, 68-73 excluding item 72b)                            | AS-101336-05       | AS-101336-05       |
| 63                                  |       | Housing                                                                                     | AS-101341-01       | AS-101341-01       |
| 64                                  | Stk   | Bearing Frame Tri-Arm (2)                                                                   | 70-41723-03        | 70-41723-03        |
| 65                                  | Stk   | Ball Bearing and Cushion (2)                                                                | 70-41911-01        | 70-41911-01        |
| 66                                  | Stk   | Blower Shaft                                                                                | 70-21933-02        | 70-21933-02        |
| 67                                  | Stk   | Fixed Pitch Sheave                                                                          | 71-100772-03       | 71-100772-03       |
| 68                                  |       | Blower Support - Left                                                                       | AE-58950-02        | AE-58950-02        |
| 69                                  | Stk   | Wheel                                                                                       | 70-23589-01        | 70-23589-01        |
| 70                                  |       | Cut-Off Tabulation                                                                          | AE-64401-05        | AE-64401-05        |
| 74                                  | Stk   | Blower Motor                                                                                | 51-41936-01        | 51-41936-01        |
| 75                                  | Stk   | Variable Pitch Sheave                                                                       | 71-40427-25        | 71-40427-25        |
| 76                                  | Stk   | Belt                                                                                        | 71-40235-43        | 71-40235-43        |

| No.                                       | Notes | MODEL<br>TECHNICAL VARIATION<br>COOLING CAPACITY<br>ELECTRICAL DESIGNATION<br>DRIVE PACKAGE | RLNL-                  |  |
|-------------------------------------------|-------|---------------------------------------------------------------------------------------------|------------------------|--|
|                                           |       |                                                                                             | G<br>060<br>C/D<br>L/M |  |
| <b>BLOWER MOTOR MOUNTING - BELT DRIVE</b> |       |                                                                                             |                        |  |
| 71                                        |       | Blower Bracket                                                                              | AE-101124-01           |  |
| 72                                        |       | Blower Bracket - Drive Side                                                                 | AE-101124-04           |  |
| 72a                                       |       | Grommet (Flat)                                                                              | 56-18518-04            |  |
| 72b                                       |       | Cross Brace                                                                                 | AE-101467-01           |  |
| 73                                        |       | Motor Mount Assembly                                                                        | AS-101340-01           |  |

| No.                                       | Notes | MODEL<br>TECHNICAL VARIATION<br>COOLING CAPACITY<br>DRIVE PACKAGE | RLNL-<br>G<br>090<br>R | RLNL-<br>G<br>120<br>R | RLNL-<br>G<br>151<br>R |
|-------------------------------------------|-------|-------------------------------------------------------------------|------------------------|------------------------|------------------------|
| <b>BLOWER ASSEMBLY GROUP - BELT DRIVE</b> |       |                                                                   |                        |                        |                        |
| 64                                        | Stk   | Blower Assembly (Includes Items 65-68)                            | AS-90757-01            | AS-90757-01            | AS-90757-01            |
| 65                                        | Stk   | Blower Wheel                                                      | 70-42540-02            | 70-42540-02            | 70-42540-02            |
| 66                                        |       | Bearing Frame Tri-Arm (2)                                         | 70-42540-05            | 70-42540-05            | 70-42540-05            |
| 67                                        |       | Bearing with Bearing Lock (2)                                     | 70-41854-02            | 70-41854-02            | 70-41854-02            |
| 68                                        | Stk   | Blower Shaft                                                      | 70-42540-04            | 70-42540-04            | 70-42540-04            |
| 69                                        |       | Blower Mounting Angles (2)                                        | AE-90708-01            | AE-90708-01            | AE-90708-01            |
|                                           |       | Blower Angle Stop                                                 | AE-90709-02            | AE-90709-02            | AE-90709-02            |
| 70                                        |       | Motor Mount                                                       | AS-90824-01            | AS-90824-01            | AS-90824-01            |
| 71                                        | Stk   | Blower Motor - C/D Voltages                                       | 51-102826-14           | 51-102826-14           | 51-102826-06           |
| 72                                        | Stk   | Variable Sheave                                                   | 71-42538-02            | 71-42538-02            | 71-40427-31            |
| 73                                        | Stk   | Belt                                                              | 71-40438-30            | 71-40438-27            | 71-40438-23            |
| 74                                        | Stk   | Fixed Sheave                                                      | 71-100774-05           | 71-100774-02           | 71-100774-01           |
|                                           |       | Key                                                               | 94-42551-09            | 94-42551-09            | 94-42551-09            |
|                                           | Stk   | Bushing for Sheave w/Screws                                       | 71-100773-01           | 71-100773-01           | 71-100773-01           |

| No.                                       | Notes | MODEL<br>TECHNICAL VARIATION<br>COOLING CAPACITY<br>DRIVE PACKAGE | RLNL-<br>G<br>090<br>S | RLNL-<br>G<br>120<br>S | RLNL-<br>G<br>151<br>S |
|-------------------------------------------|-------|-------------------------------------------------------------------|------------------------|------------------------|------------------------|
| <b>BLOWER ASSEMBLY GROUP - BELT DRIVE</b> |       |                                                                   |                        |                        |                        |
| 64                                        | Stk   | Blower Assembly (Includes Items 65-68)                            | AS-90757-01            | AS-90757-01            | AS-90757-01            |
| 65                                        | Stk   | Blower Wheel                                                      | 70-42540-02            | 70-42540-02            | 70-42540-02            |
| 66                                        |       | Bearing Frame Tri-Arm (2)                                         | 70-42540-05            | 70-42540-05            | 70-42540-05            |
| 67                                        |       | Bearing with Bearing Lock (2)                                     | 70-41854-02            | 70-41854-02            | 70-41854-02            |
| 68                                        | Stk   | Blower Shaft                                                      | 70-42540-04            | 70-42540-04            | 70-42540-04            |
| 69                                        |       | Blower Mounting Angles (2)                                        | AE-90708-01            | AE-90708-01            | AE-90708-01            |
|                                           |       | Blower Angle Stop                                                 | AE-90709-02            | AE-90709-02            | AE-90709-02            |
| 70                                        |       | Motor Mount                                                       | AE-90710-04            | AE-90710-04            | AE-90710-04            |
| 71                                        | Stk   | Blower Motor - C/D Voltages                                       | 51-102826-14           | 51-102826-15           | 51-102826-06           |
| 72                                        | Stk   | Variable Sheave                                                   | 71-42538-02            | 71-42538-02            | 71-40427-11            |
| 73                                        | Stk   | Belt                                                              | 71-40438-27            | 71-40438-23            | 71-40438-31            |
| 74                                        | Stk   | Fixed Sheave                                                      | 71-100774-02           | 71-100774-04           | 71-26254-06            |
|                                           |       | Key                                                               | 94-42551-09            | 94-42551-09            | 94-42551-09            |
|                                           | Stk   | Bushing for Sheave w/Screws                                       | 71-100773-01           | 71-100773-01           | 71-100773-01           |

| No.                                       | Notes | MODEL<br>TECHNICAL VARIATION<br>COOLING CAPACITY<br>DRIVE PACKAGE | RLNL-<br>G<br>090<br>T |  |  |
|-------------------------------------------|-------|-------------------------------------------------------------------|------------------------|--|--|
| <b>BLOWER ASSEMBLY GROUP - BELT DRIVE</b> |       |                                                                   |                        |  |  |
| 64                                        | Stk   | Blower Assembly (Includes Items 65-68)                            | AS-90757-01            |  |  |
| 65                                        | Stk   | Blower Wheel                                                      | 70-42540-02            |  |  |
| 66                                        |       | Bearing Frame Tri-Arm (2)                                         | 70-42540-05            |  |  |
| 67                                        |       | Bearing with Bearing Lock (2)                                     | 70-41854-02            |  |  |
| 68                                        | Stk   | Blower Shaft                                                      | 70-42540-04            |  |  |
| 69                                        |       | Blower Mounting Angles (2)                                        | AE-90708-01            |  |  |
|                                           |       | Blower Angle Stop                                                 | AE-90709-02            |  |  |
| 70                                        |       | Motor Mount                                                       | AE-90710-04            |  |  |
| 71                                        | Stk   | Blower Motor - C/D Voltages                                       | 51-102826-15           |  |  |
| 72                                        | Stk   | Variable Sheave                                                   | 71-42538-02            |  |  |
| 73                                        | Stk   | Belt                                                              | 71-40438-23            |  |  |
| 74                                        | Stk   | Fixed Sheave                                                      | 71-100774-04           |  |  |
|                                           |       | Key                                                               | 94-42551-09            |  |  |
|                                           | Stk   | Bushing for Sheave w/Screws                                       | 71-100773-01           |  |  |

| No.                                       | Notes | MODEL<br>TECHNICAL VARIATION<br>COOLING CAPACITY<br>DRIVE PACKAGE | RLNL-<br>G<br>180<br>R | RLNL-<br>G<br>240<br>R | RLNL-<br>G<br>300<br>R |
|-------------------------------------------|-------|-------------------------------------------------------------------|------------------------|------------------------|------------------------|
| <b>BLOWER ASSEMBLY GROUP - BELT DRIVE</b> |       |                                                                   |                        |                        |                        |
| 64                                        | Stk   | Blower Assembly - Includes Items 65 and 66 (2)                    | AS-90757-06            | AS-90757-06            | AS-90757-06            |
| 65                                        | Stk   | Blower Wheel (2)                                                  | 70-42564-02            | 70-42564-02            | 70-42564-02            |
| 66                                        |       | Bearing Frame Tri-Arm (4)                                         | 70-42284-04            | 70-42284-04            | 70-42284-04            |
| 67                                        |       | Bearing with Bearing Lock (4)                                     | 70-41854-02            | 70-41854-02            | 70-41854-02            |
| 68                                        | Stk   | Blower Shaft                                                      | 70-42564-03            | 70-42564-03            | 70-42564-03            |
| 69                                        |       | Blower Connector Angles (3)                                       | AE-90798-01            | AE-90798-01            | AE-90798-01            |
| 70                                        |       | Motor Mount                                                       | AE-90710-03            | AE-90710-03            | AE-90710-03            |
| 71                                        | Stk   | Blower Motor - C Voltage                                          | 51-102826-15           | 51-102826-06           | 51-102826-07           |
| 71                                        | Stk   | Blower Motor - D Voltage                                          | 51-102826-15           | 51-102826-06           | 51-102826-07           |
| 72                                        | Stk   | Variable Sheave                                                   | 71-42538-02            | 71-40427-04            | 71-40427-59            |
| 73                                        | Stk   | Belt                                                              | 71-40438-43            | 71-40438-51            | 71-40438-54            |
| 74a                                       | Stk   | Fixed Sheave                                                      | 71-100774-08           | 71-100774-06           | 71-100774-06           |
| 74b                                       |       | Key                                                               | 94-42551-09            | 94-42551-09            | 94-42551-09            |
| 74c                                       | Stk   | Bushing for Sheave w/Screws                                       | 71-100773-01           | 71-100773-01           | 71-100773-01           |

| No.                                       | Notes | MODEL<br>TECHNICAL VARIATION<br>COOLING CAPACITY<br>DRIVE PACKAGE | RLNL-<br>G<br>180<br>S | RLNL-<br>G<br>240<br>S | RLNL-<br>G<br>300<br>S |
|-------------------------------------------|-------|-------------------------------------------------------------------|------------------------|------------------------|------------------------|
| <b>BLOWER ASSEMBLY GROUP - BELT DRIVE</b> |       |                                                                   |                        |                        |                        |
| 64                                        | Stk   | Blower Assembly - Includes Items 65 and 66 (2)                    | AS-90757-06            | AS-90757-06            | AS-90757-06            |
| 65                                        | Stk   | Blower Wheel (2)                                                  | 70-42564-02            | 70-42564-02            | 70-42564-02            |
| 66                                        |       | Bearing Frame Tri-Arm (4)                                         | 70-42284-04            | 70-42284-04            | 70-42284-04            |
| 67                                        |       | Bearing with Bearing Lock (4)                                     | 70-41854-02            | 70-41854-02            | 70-41854-02            |
| 68                                        | Stk   | Blower Shaft                                                      | 70-42564-03            | 70-42564-03            | 70-42564-03            |
| 69                                        |       | Blower Connector Angles (3)                                       | AE-90798-01            | AE-90798-01            | AE-90798-01            |
| 70                                        |       | Motor Mount                                                       | AE-90710-03            | AE-90710-03            | AE-90710-03            |
| 71                                        | Stk   | Blower Motor - C Voltage                                          | 51-102826-06           | 51-102826-07           | 51-102826-10           |
| 71                                        | Stk   | Blower Motor - D Voltage                                          | 51-102826-06           | 51-102826-07           | 51-102826-10           |
| 72                                        | Stk   | Variable Sheave                                                   | 71-40427-04            | 71-40427-59            | 71-40427-60            |
| 73                                        | Stk   | Belt                                                              | 71-40438-46            | 71-40438-54            | 71-102847-01           |
| 74a                                       | Stk   | Fixed Sheave                                                      | 71-100774-08           | 71-100774-06           | 71-100774-07           |
| 74b                                       |       | Key                                                               | 94-42551-09            | 94-42551-09            | 94-42551-09            |
| 74c                                       | Stk   | Bushing for Sheave w/Screws                                       | 71-100773-01           | 71-100773-01           | 71-100773-01           |

| No.                                                                                                                                                                                                                                                                                                                                                                                       | Notes | MODEL<br>TECHNICAL VARIATION<br>COOLING CAPACITY          | RLNL-<br>G<br>036 | RLNL-<br>G<br>048 | RLNL-<br>G<br>060 |
|-------------------------------------------------------------------------------------------------------------------------------------------------------------------------------------------------------------------------------------------------------------------------------------------------------------------------------------------------------------------------------------------|-------|-----------------------------------------------------------|-------------------|-------------------|-------------------|
| <b>COIL GROUP</b>                                                                                                                                                                                                                                                                                                                                                                         |       |                                                           |                   |                   |                   |
| <b>EVAPORATOR COIL:</b>                                                                                                                                                                                                                                                                                                                                                                   |       |                                                           |                   |                   |                   |
| 80a                                                                                                                                                                                                                                                                                                                                                                                       | Stk   | Evaporator Coil                                           | AS-102260-03      | AS-102352-03      | AS-102353-03      |
| 80b                                                                                                                                                                                                                                                                                                                                                                                       | Stk   | Reheat Coil                                               | 65-101478-12      | 65-101478-12      | 65-101478-12      |
| 80c                                                                                                                                                                                                                                                                                                                                                                                       |       | TXV Bulb Strap Kit                                        | 64-101357-01      | 64-101357-01      | 64-101357-01      |
| 80d                                                                                                                                                                                                                                                                                                                                                                                       |       | Liquid Line Filter Drier                                  | 83-22755-03       | 83-22755-03       | 83-22755-03       |
| 80e                                                                                                                                                                                                                                                                                                                                                                                       |       | Servo Valve - Liquid Line (LLSV) (2)                      | 61-103961-05      | 61-103961-05      | 61-103961-05      |
| 80f                                                                                                                                                                                                                                                                                                                                                                                       |       | Solenoid Coil (LLSV) (2)                                  | 61-103961-09      | 61-103961-09      | 61-103961-09      |
| 80g                                                                                                                                                                                                                                                                                                                                                                                       |       | Distributor - (Two way - 3/8 in. to 3/8 in.)              | 83-17467-02       | 83-17467-02       | 83-17467-02       |
| 81                                                                                                                                                                                                                                                                                                                                                                                        |       | Top Air Stop                                              | AE-58933-01       | AE-58933-01       | AE-58933-01       |
|                                                                                                                                                                                                                                                                                                                                                                                           |       | Air Stop - Reheat Coil                                    | AE-104056-01      | AE-104056-01      | AE-104056-01      |
| 82                                                                                                                                                                                                                                                                                                                                                                                        |       | Top Coil Support                                          | AE-58941-01       | AE-58941-01       | AE-58941-01       |
| 83                                                                                                                                                                                                                                                                                                                                                                                        | Stk   | Indoor Coil Drain Pan                                     | 68-23559-01       | 68-23559-01       | 68-23559-01       |
| 85                                                                                                                                                                                                                                                                                                                                                                                        |       | Filter Channels (Center is two channels back-to-back) (3) | AE-58934-01       | AE-58934-01       | AE-58934-01       |
|                                                                                                                                                                                                                                                                                                                                                                                           |       | Filter Keeper                                             | AE-59168-01       | AE-59168-01       | AE-59168-01       |
| 86                                                                                                                                                                                                                                                                                                                                                                                        |       | Filter - Disposable 16x25x1 (2)                           | 54-17531-10       | 54-17531-10       | 54-17531-10       |
| 88                                                                                                                                                                                                                                                                                                                                                                                        |       | Header Assembly                                           | 82-101745-01      | 82-101745-02      | 82-101745-03      |
| <b>Important Note: Different manufacturers of TXV were used on this unit, and the exact part number must be used when making repair. To obtain the correct part number of TXV either:</b><br><b>1) Provide the part number of TXV assembly by examining unit, or</b><br><b>2) Provide unit model number and TXV manufacturer. (See attached TXV identification guide for assistance.)</b> |       |                                                           |                   |                   |                   |
|                                                                                                                                                                                                                                                                                                                                                                                           | Stk   | TXV (Sporlan)                                             | 61-102257-01      | 61-102257-03      | 61-102257-04      |
|                                                                                                                                                                                                                                                                                                                                                                                           | Stk   | TXV (Emerson)                                             | 61-102258-01      | 61-102258-03      | 61-102258-04      |
| <b>CONDENSER COIL:</b>                                                                                                                                                                                                                                                                                                                                                                    |       |                                                           |                   |                   |                   |
| 84a                                                                                                                                                                                                                                                                                                                                                                                       | Stk   | Condenser Coil                                            | AS-101714-03      | AS-101716-01      | AS-101717-01      |
| 84b                                                                                                                                                                                                                                                                                                                                                                                       |       | Servo Valve - Hot Gas (HGVS)                              | 61-103961-01      | 61-103961-01      | 61-103961-01      |
| 84c                                                                                                                                                                                                                                                                                                                                                                                       |       | Solenoid Coil (HGVS)                                      | 61-103961-07      | 61-103961-07      | 61-103961-07      |
| 84d                                                                                                                                                                                                                                                                                                                                                                                       |       | Check Valve                                               | 83-102440-05      | 83-102440-05      | 83-102440-05      |

| No.                           | Notes | MODEL<br>TECHNICAL VARIATION<br>COOLING CAPACITY | RLNL-<br>G<br>090 | RLNL-<br>G<br>120 | RLNL-<br>G<br>151 |
|-------------------------------|-------|--------------------------------------------------|-------------------|-------------------|-------------------|
| <b>COIL GROUP</b>             |       |                                                  |                   |                   |                   |
| <b>EVAPORATOR COIL GROUP:</b> |       |                                                  |                   |                   |                   |
| 42a                           | Stk   | Evaporator Coil                                  | AS-90656-68       | AS-90656-69       | AS-90656-75       |
| 42b                           | Stk   | Reheat Coil                                      | 65-101478-11      | 65-101478-11      | 65-101478-11      |
|                               |       | TXV Bulb Strap Kit (2)                           | 64-101357-01      | 64-101357-01      | 64-101357-01      |
| 42c                           |       | Liquid Line Filter Drier (2)                     | 83-22755-05       | 83-22755-05       | 83-22755-05       |
| 42d                           |       | Strap - Filter Drier (2)                         | AE-102132-01      | AE-102132-01      | AE-102132-01      |
| 42e                           | Stk   | Servo Valve - Liquid Line (LLSV) (2)             | 61-103961-05      | 61-103961-05      | 61-103961-05      |
| 42f                           | Stk   | Solenoid Coil (LLSV) (2)                         | 61-103961-09      | 61-103961-09      | 61-103961-09      |
|                               |       | Bulb Strap Kit - TXV (2)                         | 64-101357-01      | 64-101357-01      | 64-101357-01      |
| 42g                           | Stk   | TXV - Circuit #1                                 | 61-101351-11      | 61-101351-13      | 61-101351-14      |
| 42h                           | Stk   | TXV - Circuit #2                                 | 61-101351-11      | 61-101351-13      | 61-101351-14      |
| 43                            | Stk   | Drain Pan - Removable                            | 68-102699-02      | 68-102699-02      | 68-102699-02      |
| <b>FILTER PIECES:</b>         |       |                                                  |                   |                   |                   |
| 44                            |       | Filter Frame                                     | AE-90606-11       | AE-90606-11       | AE-90606-11       |
| 45                            |       | Air Stop - Bottom                                | AE-102712-10      | AE-102712-10      | AE-102712-10      |
| 46                            |       | Air Stop - Side                                  | AE-102712-06      | AE-102712-06      | AE-102712-06      |
| 47                            |       | Top Air Stop Assembly                            | AS-90604-06       | AS-90604-06       | AS-90604-06       |
| 48                            |       | Filter Channel (2)                               | AE-102712-08      | AE-102712-08      | AE-102712-08      |
| 49                            |       | Filter Slide (2)                                 | AE-102712-11      | AE-102712-11      | AE-102712-11      |
| 50                            |       | Filter (6)                                       | 54-42541-01       | 54-42541-01       | 54-42541-01       |
| <b>CONDENSER COIL GROUP:</b>  |       |                                                  |                   |                   |                   |
| 37a                           | Stk   | Condenser Coil                                   | AS-102704-03      | AS-90656-42       | 65-101478-08      |
| 37b                           | Stk   | Condenser Coil                                   | AS-102704-03      | AS-90656-42       | 65-101478-08      |
| 38                            |       | Front Air Stop                                   | AE-90706-19       | AE-90706-19       | N/A               |
| 39                            |       | Rear Air Stop                                    | AE-90706-18       | AE-90706-18       | N/A               |
| 40a,<br>b                     |       | Bottom Retainer (2)                              | AE-90700-03       | AE-90700-02       | N/A               |
| 40a                           |       | Micro-Channel Coil Mounting Base - Left          | N/A               | N/A               | 68-102752-01      |
| 40b                           |       | Micro-Channel Coil Mounting Base - Right         | N/A               | N/A               | 68-102752-02      |
| 41a                           |       | Top Support - Condenser Coil                     | AE-90612-09       | AE-90612-02       | AE-90612-31       |
| 41b                           |       | Top Support - Condenser Bulkhead                 | AE-90612-03       | AE-90612-03       | AE-90612-30       |
| 41c                           | Stk   | Servo Valve - Hot Gas (HGSV)                     | 61-103961-10      | 61-103961-10      | 61-103961-11      |
| 41d                           | Stk   | Solenoid Coil (HGSV)                             | 61-103961-13      | 61-103961-13      | 61-103961-13      |
|                               | Stk   | High Pressure Control (2)                        | 47-23699-04       | 47-23699-04       | 47-103669-01      |
| 41e                           | Stk   | Low Pressure Control (2)                         | 47-101529-09      | 47-101529-09      | 47-101529-09      |
| 41f                           | Stk   | Check Valve                                      | 83-102440-05      | 83-102440-05      | 83-102440-05      |
|                               |       | Distributor (3/8 x 3/8 x 5/8)                    | 83-17467-03       | 83-17467-03       | N/A               |

| No.                           | Notes | MODEL<br>TECHNICAL VARIATION<br>COOLING CAPACITY | RLNL-<br>G<br>180 | RLNL-<br>G<br>240 | RLNL-<br>G<br>300 |
|-------------------------------|-------|--------------------------------------------------|-------------------|-------------------|-------------------|
| <b>COIL GROUP</b>             |       |                                                  |                   |                   |                   |
| <b>EVAPORATOR COIL GROUP:</b> |       |                                                  |                   |                   |                   |
| 40                            |       | Air Flow Panel                                   | AS-90828-02H      | AS-90828-02H      | AS-90828-02H      |
| 42a                           | Stk   | Evaporator Coil                                  | AS-102821-03      | AS-102652-03      | AS-102428-03      |
| 42b                           | Stk   | Reheat Coil                                      | 65-101478-13      | 65-101478-13      | 65-101478-13      |
| 42c                           | Stk   | Servo Valve - Liquid Line (LLSV)                 | 61-103961-08      | 61-103961-08      | 61-103961-08      |
| 42d                           | Stk   | Servo Valve - Liquid Line (LLSV)                 | 61-103961-08      | 61-103961-08      | 61-103961-15      |
| 42e                           | Stk   | Solenoid Coil - (LLSV) (2)                       | 61-103961-09      | 61-103961-09      | 61-103961-09      |
| 42f                           | Stk   | TXV/Distributor Assembly - Circuit #1            | 61-102845-01      | 61-102687-01      | 61-102815-01      |
| 42g                           | Stk   | TXV/Distributor Assembly - Circuit #2            | 61-102845-01      | 61-102687-01      | 61-102815-01      |
| 43                            | Stk   | Drain Pan - Removable                            | 68-102699-01      | 68-102699-01      | 68-102699-01      |
| <b>FILTER PIECES:</b>         |       |                                                  |                   |                   |                   |
| 44                            |       | Filter Frame                                     | AE-90606-10       | AE-90606-10       | AE-90606-10       |
| 45                            |       | Air Stop - Bottom                                | AE-102712-17      | AE-102712-17      | AE-102712-17      |
| 46                            |       | Air Stop - Side                                  | AE-102712-14      | AE-102712-14      | AE-102712-14      |
| 47                            |       | Top Air Stop Assembly                            | AS-90604-04       | AS-90604-04       | AS-90604-04       |
| 48                            |       | Filter Channel (2)                               | AE-102712-16      | AE-102712-16      | AE-102712-16      |
| 49                            |       | Filter Slide (2)                                 | AE-102712-15      | AE-102712-15      | AE-102712-15      |
| 50                            |       | Filter - 20 in. x 25 in. x 2 in. (8)             | 54-42541-04       | 54-42541-04       | 54-42541-04       |
| <b>CONDENSER COIL:</b>        |       |                                                  |                   |                   |                   |
| 37                            | Stk   | Condenser Coil Assembly (2)                      | AS-102647-03      | AS-102666-03      | AS-102666-03      |
| 38a                           |       | Air Stop - Front                                 | AE-90706-13       | AE-90706-13       | AE-90706-13       |
| 38b                           |       | Corner Brace - Top Front                         | AS-90706-16H      | AS-90706-16H      | AS-90706-16H      |
| 38c                           |       | Post - Front                                     | AS-90706-14H      | AS-90706-14H      | AS-90706-14H      |
| 39a                           |       | Air Stop - Rear                                  | AE-90706-12       | AE-90706-12       | AE-90706-12       |
| 39b                           |       | Corner Brace - Top Rear                          | AS-90706-17H      | AS-90706-17H      | AS-90706-17H      |
| 39c                           |       | Post - Rear                                      | AS-90706-15H      | AS-90706-15H      | AS-90706-15H      |
| 41                            |       | Air Stop - Top Right                             | AS-90753-08H      | AS-90753-08H      | AS-90753-08H      |
| 41a                           |       | Top Support - Inner Condenser Coil (2)           | AE-90612-21       | AE-90612-08       | AE-90612-08       |
| 41b                           |       | Top Support - Outer Condenser Coil               | AE-90612-20       | AE-90612-11       | AE-90612-11       |
| 41c                           |       | Top Support - Condenser Bulkhead                 | AE-90612-18       | AE-90612-06       | AE-90612-06       |
| 41d                           | Stk   | High Pressure Control (2)                        | 47-23699-04       | 47-23699-04       | 47-23699-04       |
| 41e                           | Stk   | Low Pressure Control (2)                         | 47-101529-09      | 47-101529-09      | 47-101529-09      |
| 41f                           | Stk   | Check Valve                                      | 83-102440-02      | 83-102440-02      | 83-102440-02      |
| 41g                           |       | Filter Drier - Liquid Line (2)                   | 83-22755-11       | 83-22755-11       | 83-22755-11       |
| 41h                           | Stk   | Servo Valve - Hot Gas (HGSV)                     | 61-103961-12      | 61-103961-11      | 61-103961-14      |
| 41i                           | Stk   | Solenoid Coil - (HGSV)                           | 61-103961-13      | 61-103961-13      | 61-103961-13      |

|                         |       |                                                                            |                        |                        |
|-------------------------|-------|----------------------------------------------------------------------------|------------------------|------------------------|
| No.                     | Notes | MODEL<br>TECHNICAL VARIATION<br>COOLING CAPACITY<br>ELECTRICAL DESIGNATION | RLNL-<br>G<br>036<br>C | RLNL-<br>G<br>036<br>D |
| <b>COMPRESSOR GROUP</b> |       |                                                                            |                        |                        |
|                         |       | <b>Compressor ID:</b>                                                      | <b>8545</b>            | <b>8546</b>            |
| 79                      | Stk   | Compressor                                                                 | 55-102045-05S          | 55-102045-04S          |
|                         | Stk   | Compressor Wiring Harness (Molded Plug)                                    | 45-100834-10           | 45-100834-10           |

|                         |       |                                                                            |                        |                        |
|-------------------------|-------|----------------------------------------------------------------------------|------------------------|------------------------|
| No.                     | Notes | MODEL<br>TECHNICAL VARIATION<br>COOLING CAPACITY<br>ELECTRICAL DESIGNATION | RLNL-<br>G<br>048<br>C | RLNL-<br>G<br>048<br>D |
| <b>COMPRESSOR GROUP</b> |       |                                                                            |                        |                        |
|                         |       | <b>Compressor ID:</b>                                                      | <b>8547</b>            | <b>8548</b>            |
| 79                      | Stk   | Compressor                                                                 | 55-102045-11S          | 55-102045-10S          |
|                         | Stk   | Compressor Wiring Harness (Molded Plug)                                    | 45-100834-10           | 45-100834-10           |

|                         |       |                                                                            |                        |                        |
|-------------------------|-------|----------------------------------------------------------------------------|------------------------|------------------------|
| No.                     | Notes | MODEL<br>TECHNICAL VARIATION<br>COOLING CAPACITY<br>ELECTRICAL DESIGNATION | RLNL-<br>G<br>060<br>C | RLNL-<br>G<br>060<br>D |
| <b>COMPRESSOR GROUP</b> |       |                                                                            |                        |                        |
|                         |       | <b>Compressor ID:</b>                                                      | <b>8549</b>            | <b>8550</b>            |
| 79                      | Stk   | Compressor                                                                 | 55-102045-22S          | 55-102045-23S          |
|                         | Stk   | Compressor Wiring Harness (Molded Plug)                                    | 45-100834-10           | 45-100834-10           |



| No.                     | Notes | MODEL<br>TECHNICAL VARIATION<br>COOLING CAPACITY<br>ELECTRICAL DESIGNATION | RLNL-<br>G<br>090<br>C | RLNL-<br>G<br>120<br>C | RLNL-<br>G<br>151<br>C |
|-------------------------|-------|----------------------------------------------------------------------------|------------------------|------------------------|------------------------|
| <b>COMPRESSOR GROUP</b> |       |                                                                            |                        |                        |                        |
|                         |       | <b>Compressor ID:</b>                                                      | <b>8533</b>            | <b>8537</b>            | <b>8636</b>            |
| 75                      | Stk   | Compressor #1                                                              | 55-102045-08S          | 55-102045-27S          | 55-102471-21S          |
| 75                      | Stk   | Compressor #2                                                              | 55-102045-08S          | 55-102045-27S          | 55-102471-21S          |
|                         |       | Contactator - Compressor                                                   | See Electric Group     |                        |                        |
|                         | Stk   | Plug Harness - Compressor #1                                               | 45-102708-01           | 45-102708-01           | 45-102708-03           |
|                         | Stk   | Plug Harness - Compressor #2                                               | 45-102708-02           | 45-102708-02           | 45-102708-04           |

| No.                     | Notes | MODEL<br>TECHNICAL VARIATION<br>COOLING CAPACITY<br>ELECTRICAL DESIGNATION | RLNL-<br>G<br>090<br>D | RLNL-<br>G<br>120<br>D | RLNL-<br>G<br>151<br>D |
|-------------------------|-------|----------------------------------------------------------------------------|------------------------|------------------------|------------------------|
| <b>COMPRESSOR GROUP</b> |       |                                                                            |                        |                        |                        |
|                         |       | <b>Compressor ID:</b>                                                      | <b>8534</b>            | <b>8538</b>            | <b>8637</b>            |
| 75                      | Stk   | Compressor #1                                                              | 55-102045-07S          | 55-102045-28S          | 55-102471-22S          |
| 75                      | Stk   | Compressor #2                                                              | 55-102045-07S          | 55-102045-28S          | 55-102471-22S          |
|                         |       | Contactator - Compressor                                                   | See Electric Group     |                        |                        |
|                         | Stk   | Plug Harness - Compressor #1                                               | 45-102708-01           | 45-102708-01           | 45-102708-03           |
|                         | Stk   | Plug Harness - Compressor #2                                               | 45-102708-02           | 45-102708-02           | 45-102708-04           |

| No.                     | Notes | MODEL<br>TECHNICAL VARIATION<br>COOLING CAPACITY<br>ELECTRICAL DESIGNATION | RLNL-<br>G<br>180<br>C | RLNL-<br>G<br>240<br>C | RLNL-<br>G<br>300<br>C |
|-------------------------|-------|----------------------------------------------------------------------------|------------------------|------------------------|------------------------|
| <b>COMPRESSOR GROUP</b> |       |                                                                            |                        |                        |                        |
|                         |       | <b>Compressor:</b>                                                         | <b>8555</b>            | <b>8557</b>            | <b>8586</b>            |
| 75                      | Stk   | Compressor #1                                                              | 55-23156-20S           | 55-102471-02S          | 55-102471-13S          |
| 75                      | Stk   | Compressor #2                                                              | 55-23156-20S           | 55-102471-03S          | 55-102471-13S          |
|                         | Stk   | Plug Harness - Compressor #1                                               | 45-42522-73            | 45-42522-73            | 45-42522-73            |
|                         | Stk   | Plug Harness - Compressor #2                                               | 45-42522-72            | 45-42522-72            | 45-42522-72            |
| 41d                     |       | High Pressure Control                                                      |                        | See Coil Group         |                        |
| 41e                     |       | Low Pressure Control                                                       |                        | See Coil Group         |                        |

| No.                     | Notes | MODEL<br>TECHNICAL VARIATION<br>COOLING CAPACITY<br>ELECTRICAL DESIGNATION | RLNL-<br>G<br>180<br>D | RLNL-<br>G<br>240<br>D | RLNL-<br>G<br>300<br>D |
|-------------------------|-------|----------------------------------------------------------------------------|------------------------|------------------------|------------------------|
| <b>COMPRESSOR GROUP</b> |       |                                                                            |                        |                        |                        |
|                         |       | <b>Compressor:</b>                                                         | <b>8556</b>            | <b>8558</b>            | <b>8587</b>            |
| 75                      | Stk   | Compressor #1                                                              | 55-23156-21S           | 55-102471-09S          | 55-102471-08S          |
| 75                      | Stk   | Compressor #2                                                              | 55-23156-21S           | 55-102471-07S          | 55-102471-08S          |
|                         | Stk   | Plug Harness - Compressor #1                                               | 45-42522-73            | 45-42522-73            | 45-42522-73            |
|                         | Stk   | Plug Harness - Compressor #2                                               | 45-42522-72            | 45-42522-72            | 45-42522-72            |
| 41d                     |       | High Pressure Control                                                      |                        | See Coil Group         |                        |
| 41e                     |       | Low Pressure Control                                                       |                        | See Coil Group         |                        |

| No.                         | Notes | MODEL<br>TECHNICAL VARIATION<br>COOLING CAPACITY<br>ELECTRICAL DESIGNATION | RLNL-<br>G<br>036-060<br>C | RLNL-<br>G<br>036-060<br>D |
|-----------------------------|-------|----------------------------------------------------------------------------|----------------------------|----------------------------|
| <b>ELECTRIC HEATER KITS</b> |       |                                                                            |                            |                            |
|                             |       | Electric Element Kits                                                      | RXJJ-A06C                  | RXJJ-A06D                  |
|                             |       | Electric Element Kits                                                      | RXJJ-A10C                  | RXJJ-A10D                  |
|                             |       | Electric Element Kits                                                      | RXJJ-A12C                  | RXJJ-A12D                  |
|                             |       | Electric Element Kits                                                      | RXJJ-A15C                  | RXJJ-A15D                  |
|                             |       | Electric Element Kits                                                      | RXJJ-A20C                  | RXJJ-A20D                  |
|                             |       | Electric Element Kits                                                      | RXJJ-A24C                  | RXJJ-A24D                  |

| No.                         | Notes | MODEL<br>TECHNICAL VARIATION<br>COOLING CAPACITY<br>ELECTRICAL DESIGNATION | RLNL-<br>G<br>090-151<br>C | RLNL-<br>G<br>090-151<br>D |
|-----------------------------|-------|----------------------------------------------------------------------------|----------------------------|----------------------------|
| <b>ELECTRIC HEATER KITS</b> |       |                                                                            |                            |                            |
|                             |       | Electric Element Kits                                                      | RXJJ-CC10C                 | RXJJ-CC10D                 |
|                             |       | Electric Element Kits                                                      | RXJJ-CC15C                 | RXJJ-CC15D                 |
|                             |       | Electric Element Kits                                                      | RXJJ-CC20C                 | RXJJ-CC20D                 |
|                             |       | Electric Element Kits                                                      | RXJJ-CC30C                 | RXJJ-CC30D                 |
|                             |       | Electric Element Kits                                                      | RXJJ-CC40C                 | RXJJ-CC40D                 |
|                             |       | Electric Element Kits                                                      | RXJJ-CC50D                 | RXJJ-CC50D                 |

| No.                         | Notes | MODEL<br>TECHNICAL VARIATION<br>COOLING CAPACITY<br>ELECTRICAL DESIGNATION | RLNL-<br>G<br>180-300<br>C | RLNL-<br>G<br>180-300<br>D |
|-----------------------------|-------|----------------------------------------------------------------------------|----------------------------|----------------------------|
| <b>ELECTRIC HEATER KITS</b> |       |                                                                            |                            |                            |
|                             |       | Electric Element Kits                                                      | RXJJ-CE20C                 | RXJJ-CE20D                 |
|                             |       | Electric Element Kits                                                      | RXJJ-CE40C                 | RXJJ-CE40D                 |
|                             |       | Electric Element Kits                                                      | RXJJ-CE60C                 | RXJJ-CE60D                 |
|                             |       | Electric Element Kits                                                      | RXJJ-CE75C                 | RXJJ-CE75D                 |

| No.                            | Notes | MODEL<br>TECHNICAL VARIATION<br>COOLING CAPACITY                          | RLNL-<br>G<br>036-060 |
|--------------------------------|-------|---------------------------------------------------------------------------|-----------------------|
| <b>OPTIONS AND ACCESSORIES</b> |       |                                                                           |                       |
|                                |       | DDC Economizer with Single Enthalpy and Barometric Relief                 | AXRD-TKCM3            |
|                                |       | DDC Economizer with Single Enthalpy, Smoke Detector and Barometric Relief | AXRD-UKCM3            |
|                                |       | Non-Powered Convenience Outlet                                            | RXX-AN02              |
|                                |       | Service Disconnect                                                        | RXX-AP02              |
|                                |       | Dual Enthalpy Kit                                                         | RXX-AV02              |
|                                |       | CO2 Sensor                                                                | RXX-AR02              |
|                                |       | Power Exhaust - C Voltage                                                 | AXRX-BGF04C           |
|                                |       | Power Exhaust - D Voltage                                                 | AXRX-BGF04D           |
|                                |       | Fresh Air Damper Manual                                                   | AXRF-FBA1             |
|                                |       | Fresh Air Damper Motorized                                                | AXRF-FBB1             |
|                                |       | Louver Kit - (3 Sides)                                                    | AXRX-AAD01B           |
|                                |       | Comfort Alert                                                             | RXX-AZ01              |
|                                |       | BACnet Communication Card                                                 | RXX-AY01              |
|                                |       | Lonworks Communication Card                                               | RXX-AY02              |
|                                |       | Low Ambient Control                                                       | RXRZ-A04              |
|                                |       | Room Humidity Sensor                                                      | RHC-ZNS4              |
|                                |       | Room Temperature and Relative Humidity Sensor                             | RHC-ZNS5              |

| No.                | Notes | MODEL<br>TECHNICAL VARIATION<br>COOLING CAPACITY              | RLNL-<br>G<br>090-120 |
|--------------------|-------|---------------------------------------------------------------|-----------------------|
| <b>ACCESSORIES</b> |       |                                                               |                       |
|                    |       | Horizontal Economizer with Single Enthalpy and Smoke Detector | AXRD-SJCM3            |
|                    |       | Horizontal Economizer with Single Enthalpy                    | AXRD-RJCM3            |
|                    |       | Louver Panel - Option                                         | AXRX-AAD01C           |
|                    |       | Carbon Dioxide Sensor                                         | RXX-AR02              |
|                    |       | Dual Enthalpy Kit                                             | RXX-AV03              |
|                    |       | Manual Fresh Air (Left Panel Mounted)                         | AXRF-KDA1             |
|                    |       | Motor Kit for AXRF-KDA1                                       | RXX-AW02              |
|                    |       | Manual Fresh Air Damper (Horizontal Return Mounted)           | AXRF-JDA1             |
|                    |       | Motorized Fresh Air Damper (Horizontal Return Mounted)        | AXRF-JDB1             |
|                    |       | Modulating Motor Kit w/position feedback for AXRF-KDA1        | RXX-AW04              |
|                    |       | Outdoor Coil Louver Kit                                       | AXRX-AAD01C           |
|                    |       | Comfort Alert                                                 | RXX-AZ01              |
|                    |       | Convenience Outlet - Option                                   | RXX-AN01              |
|                    |       | Low Ambient Control Kit (One per Compressor)                  | RXRZ-C02              |
|                    |       | BACnet Communication Card                                     | RXX-AY01              |
|                    |       | LonWorks Communication Card                                   | RXX-AY02              |
|                    |       | Room Humidity Sensor                                          | RHC-ZNS4              |
|                    |       | Room Temperature and Relative Humidity Sensor                 | RHC-ZNS5              |

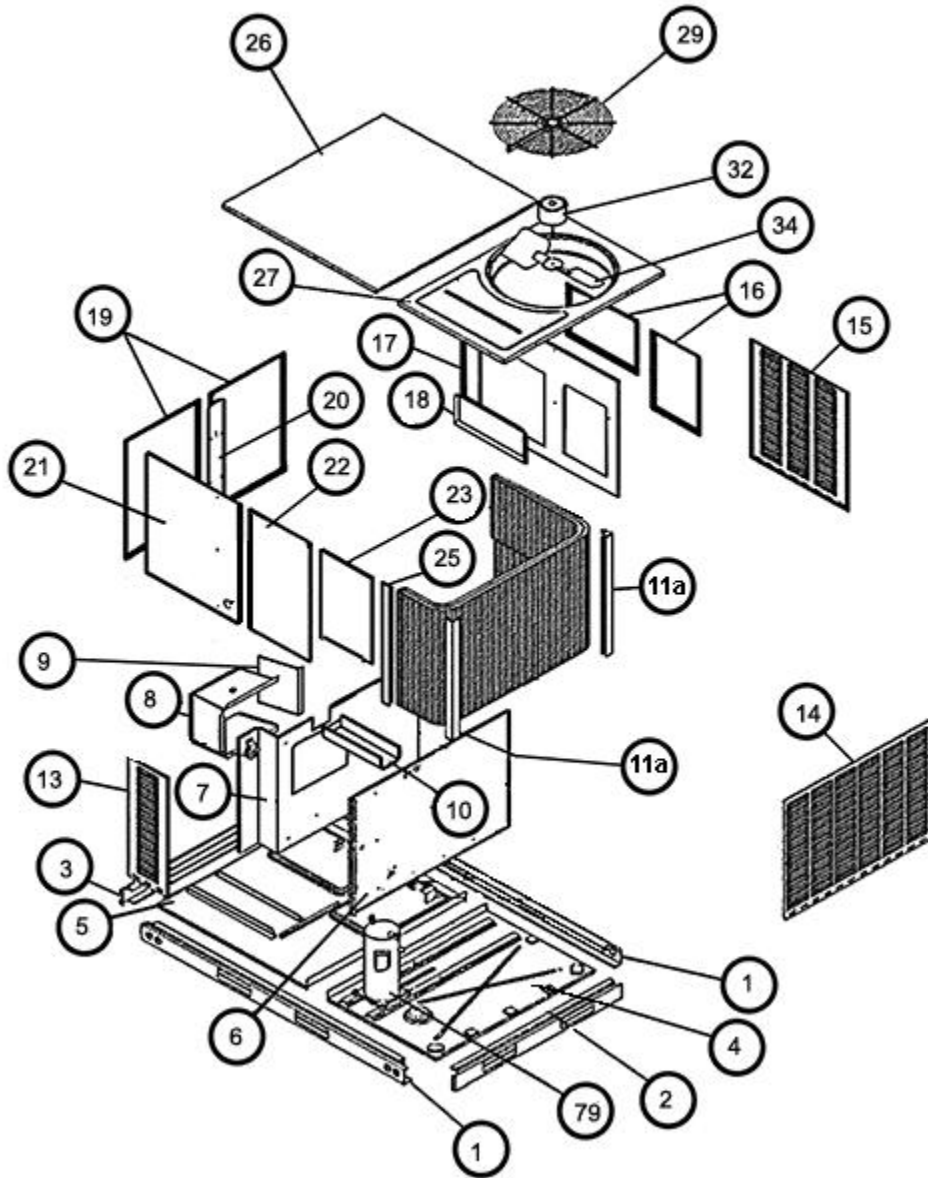
| No.                | Notes | MODEL<br>TECHNICAL VARIATION<br>COOLING CAPACITY | RLNL-<br>G<br>090-120 |
|--------------------|-------|--------------------------------------------------|-----------------------|
| <b>ECONOMIZERS</b> |       |                                                  |                       |
|                    |       | Economizer - Single Enthalpy                     | AXRD-PJCM3            |
|                    |       | Economizer - Single Enthalpy w/Smoke Detector    | AXRD-SJCM3            |
|                    |       | Horizontal Economizer - Single Enthalpy          | AXRD-RJCM3            |

| No.                  | Notes | MODEL<br>TECHNICAL VARIATION<br>COOLING CAPACITY | RLNL-<br>G<br>090-120 |
|----------------------|-------|--------------------------------------------------|-----------------------|
| <b>POWER EXHAUST</b> |       |                                                  |                       |
|                      |       | Power Exhaust                                    | RXX-BFF02C            |
|                      |       | Power Exhaust                                    | RXX-BFF02D            |
|                      |       | Power Exhaust                                    | RXX-BFF02Y            |

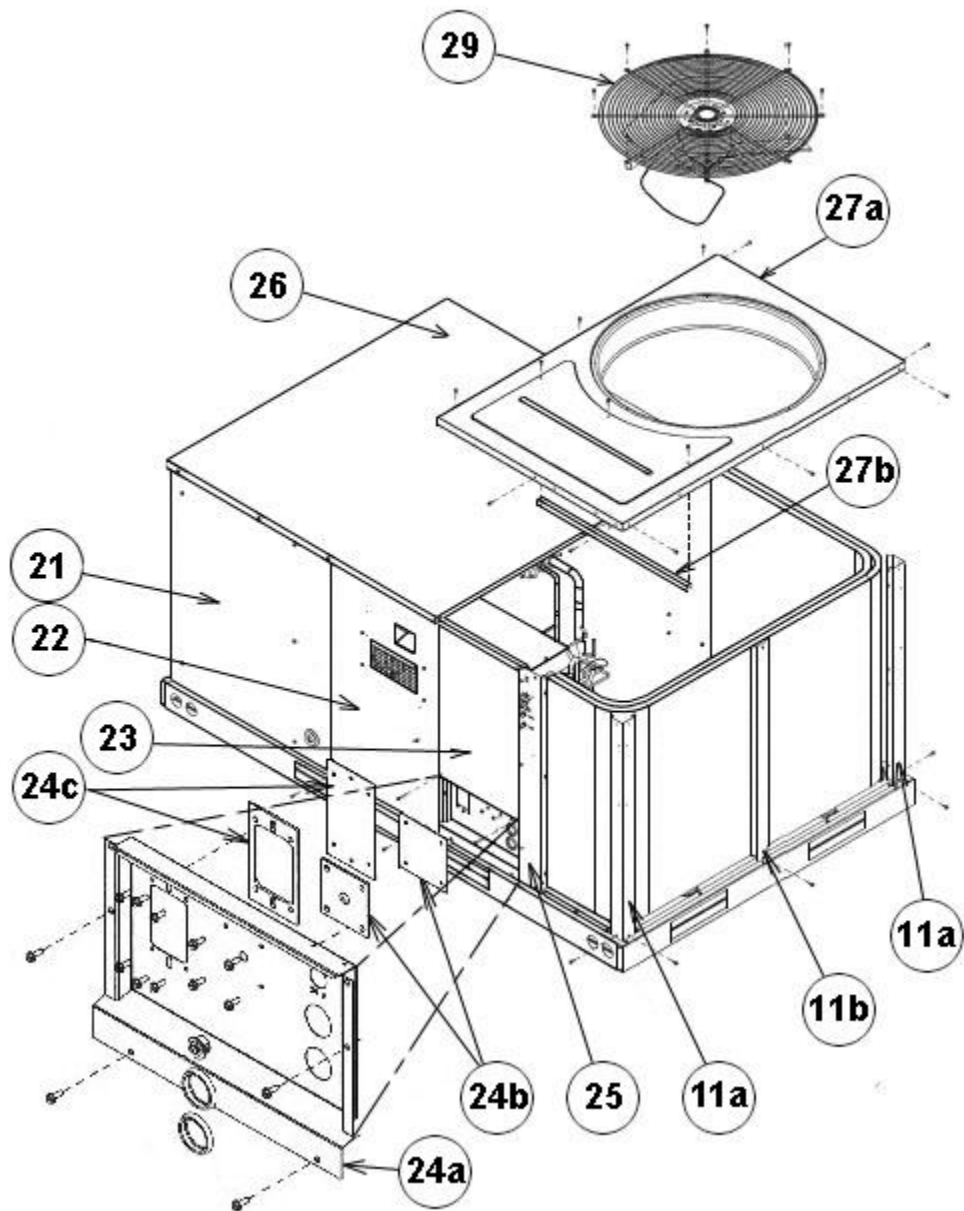
| No.                | Notes | MODEL<br>TECHNICAL VARIATION<br>COOLING CAPACITY                    | RLNL-<br>G<br>180-300 |
|--------------------|-------|---------------------------------------------------------------------|-----------------------|
| <b>ACCESSORIES</b> |       |                                                                     |                       |
|                    |       | Carbon Dioxide Sensor                                               | RXRX-AR02             |
|                    |       | Dual Enthalpy Kit                                                   | RXRX-AV03             |
|                    |       | Manual Fresh Air Damper                                             | AXRF-KFA1             |
|                    |       | Motorized Kit for AXRF-KFA1                                         | RXRX-AW03             |
|                    |       | Modulating Motor Kit w/position feedback for AXRF-KFA1              | RXRX-AW05             |
|                    |       | Unwired Convenience Outlet                                          | RXRX-AN01             |
|                    |       | Comfort Alert (1 Per Compressor)                                    | RXRX-AZ01             |
|                    |       | BACnet Communication Card                                           | RXRX-AY01             |
|                    |       | LonWorks Communication Card                                         | RXRX-AY02             |
|                    |       | Low Ambient Control Kit (1 Per Compressor)                          | RXRZ-C02              |
|                    |       | Louver Panel Kit (Hail Guard) - Left and Right (Granite/Steel Gray) | AXRX-AAD01L           |

| No.                | Notes | MODEL<br>TECHNICAL VARIATION<br>COOLING CAPACITY       | RLNL-<br>G<br>180-300 |
|--------------------|-------|--------------------------------------------------------|-----------------------|
| <b>ECONOMIZERS</b> |       |                                                        |                       |
|                    |       | Downflow Economizer - Single Enthalpy                  | AXRD-PMCM3            |
|                    |       | Downflow Economizer - Single Enthalpy w/Smoke Detector | AXRD-SMCM3            |
|                    |       | Horizontal Economizer - Single Enthalpy                | AXRD-RMCM3            |

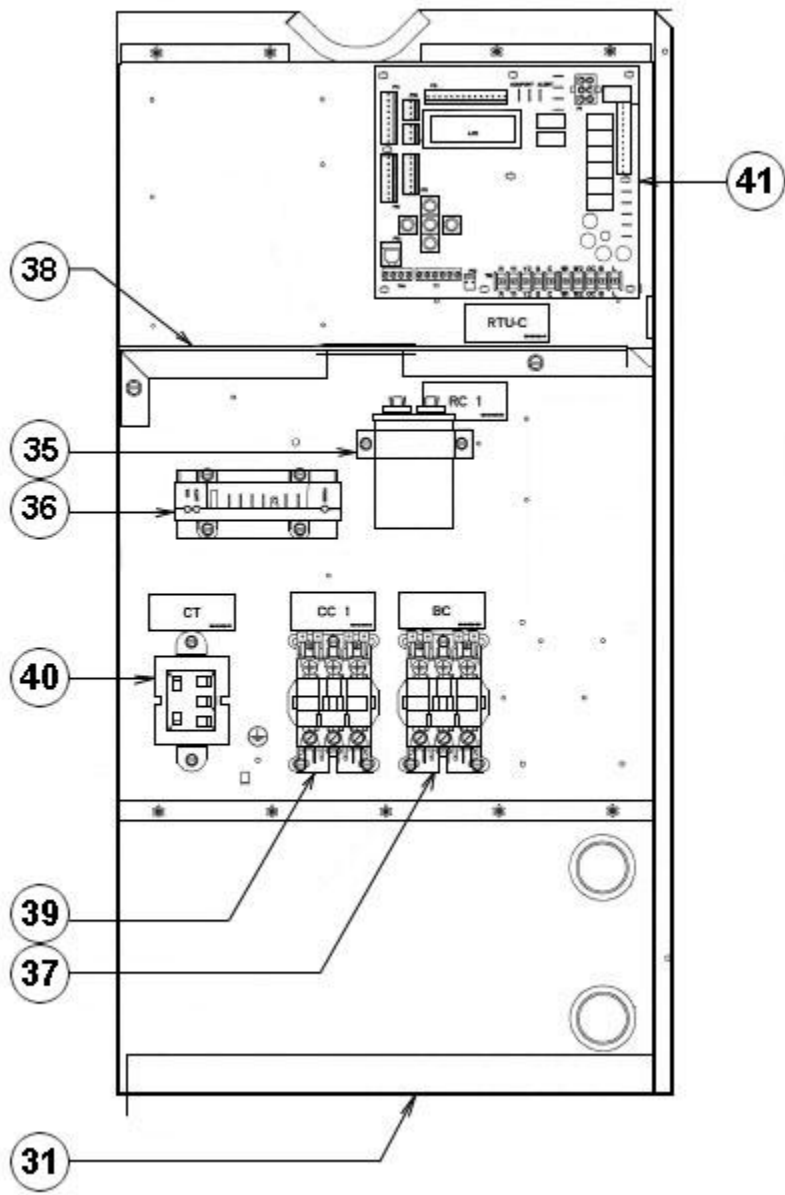
| No.                  | Notes | MODEL<br>TECHNICAL VARIATION<br>COOLING CAPACITY | RLNL-<br>G<br>180-300 |
|----------------------|-------|--------------------------------------------------|-----------------------|
| <b>POWER EXHAUST</b> |       |                                                  |                       |
|                      |       | Power Exhaust (208/230V)                         | RXRX-BGF05C           |
|                      |       | Power Exhaust (460V)                             | RXRX-BGF05D           |
|                      |       | Power Exhaust (575V)                             | RXRX-BGF05Y           |



Exploded View 036-060

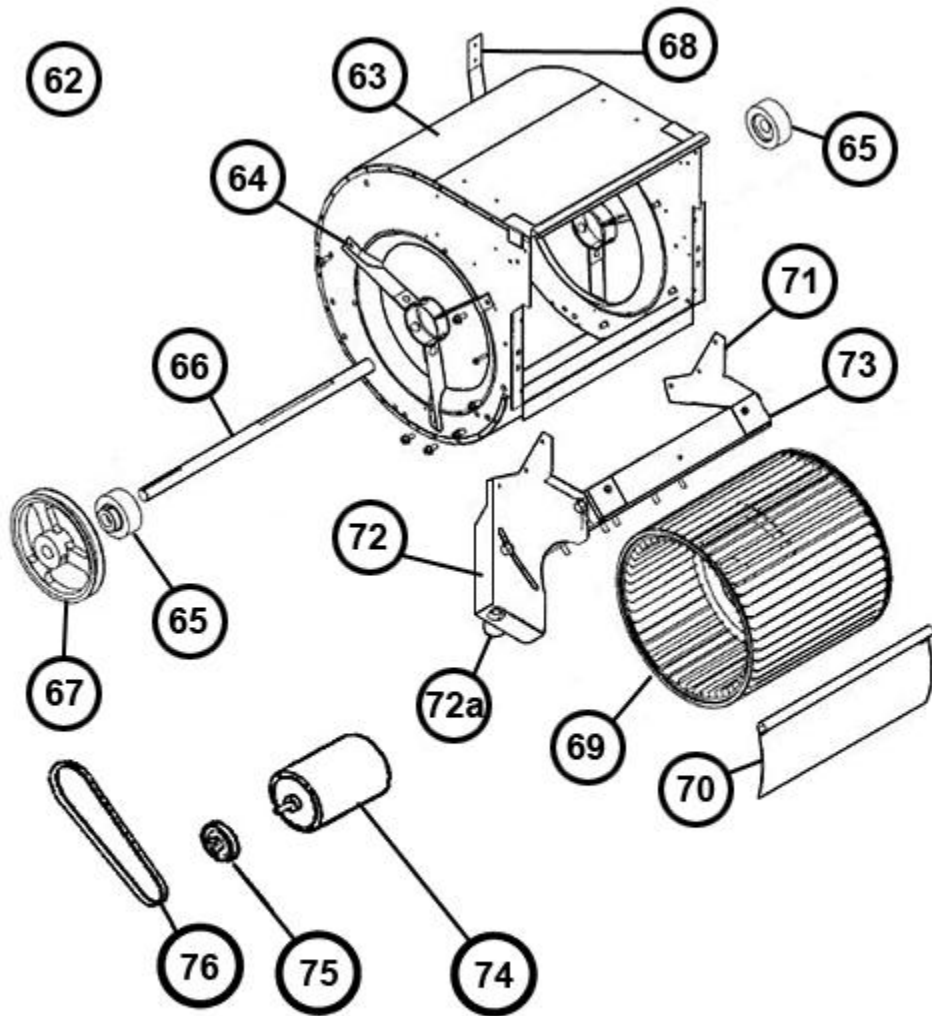


Top Panel View 036-060

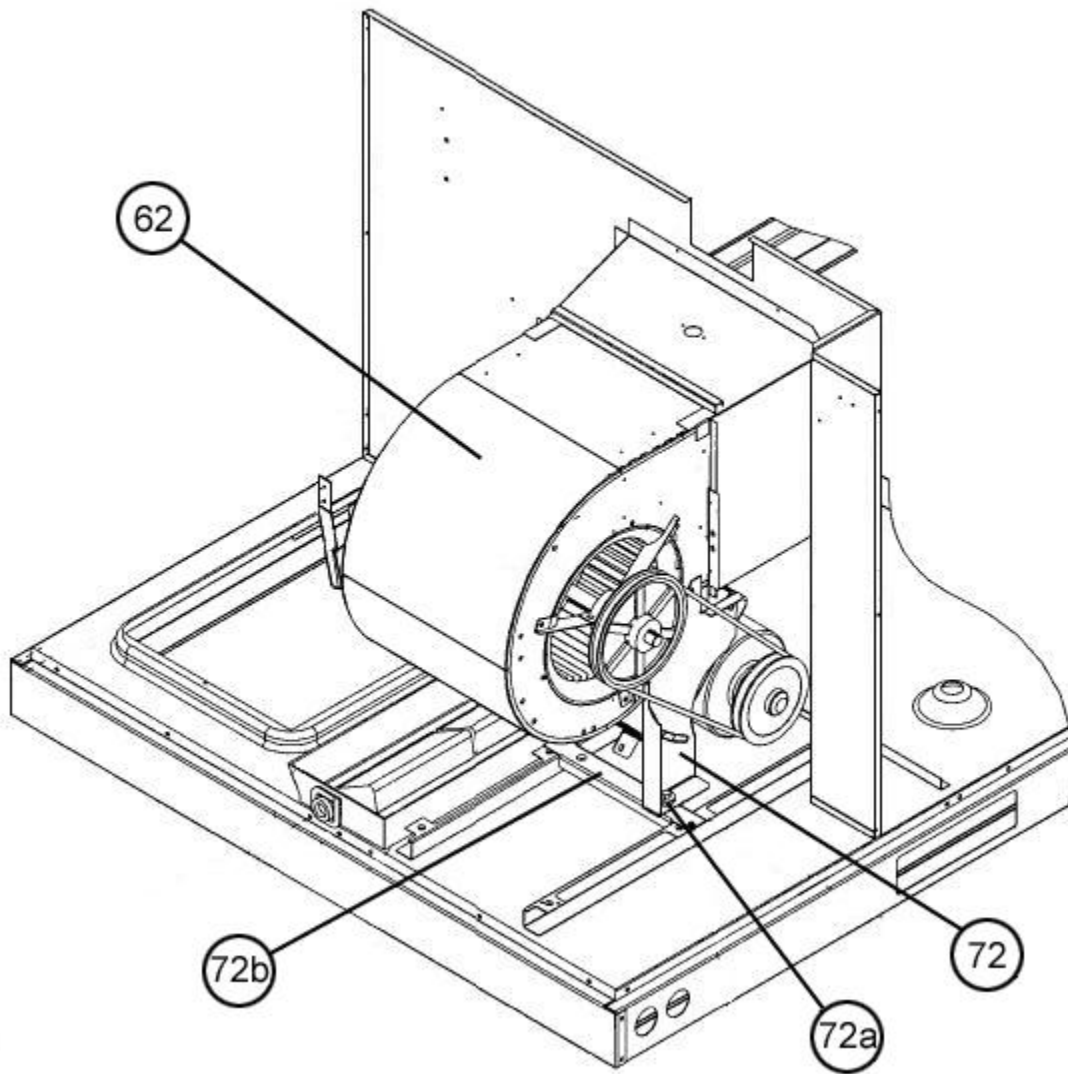


Control Box 036-060

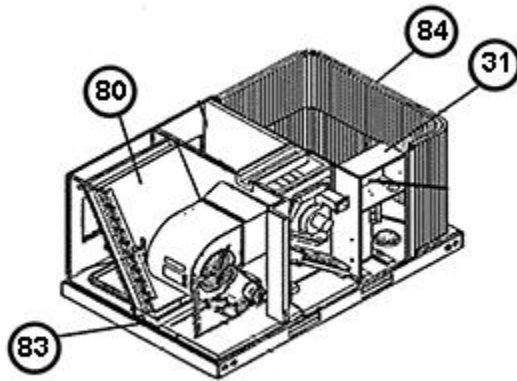




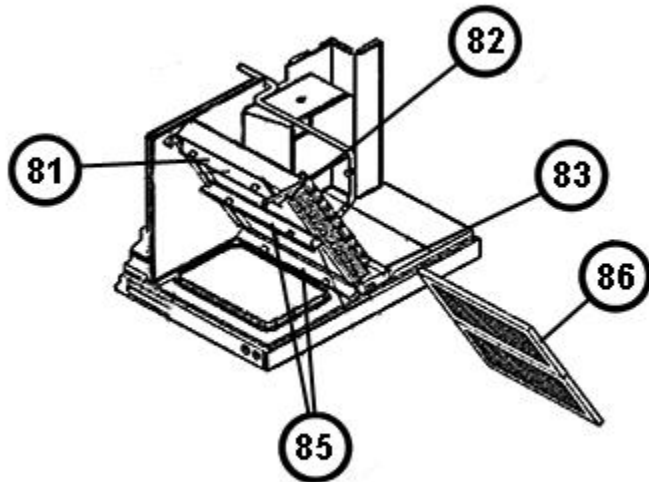
Blower Assembly 036-060



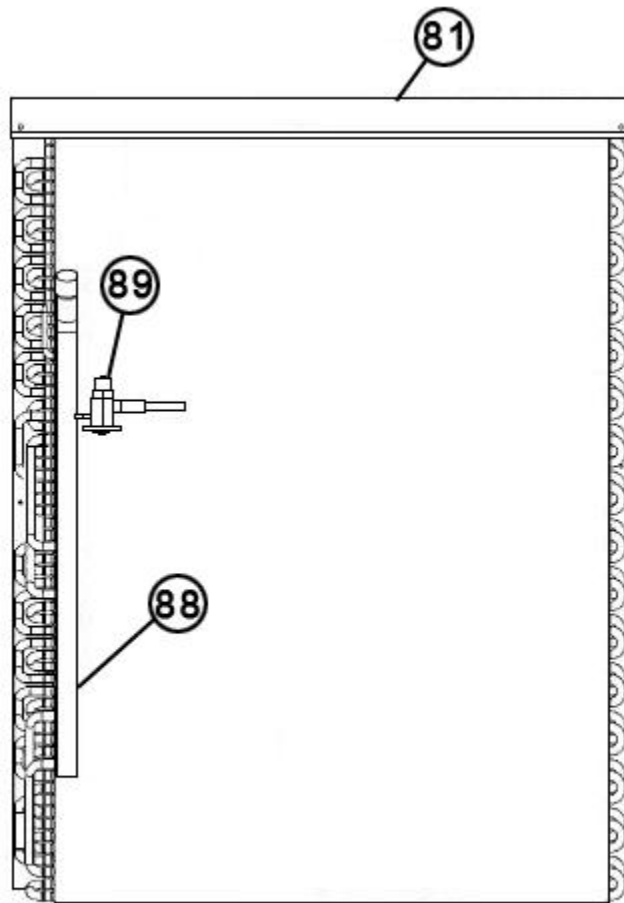
Blower Motor Mount Assembly 036-060



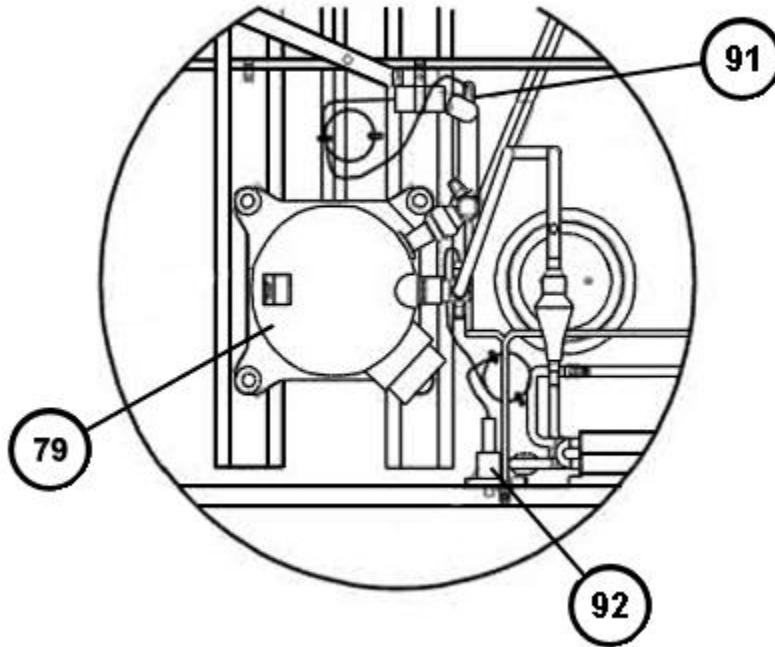
Coil Group Cut-away View 036-060



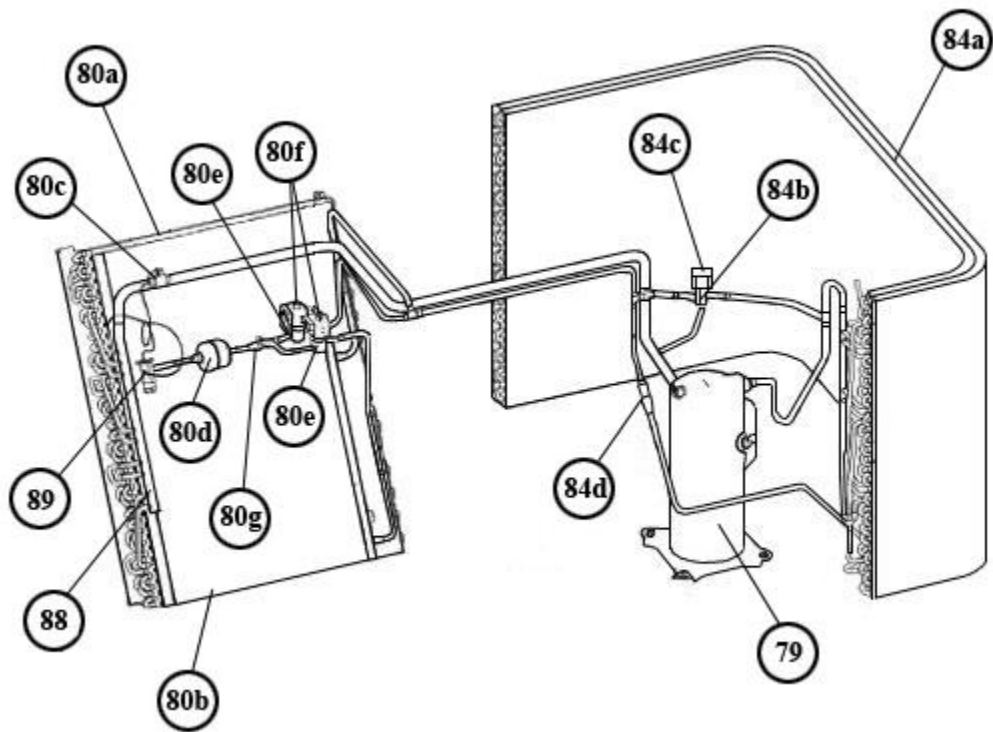
Evaporator Coil - Filter Parts 036-060



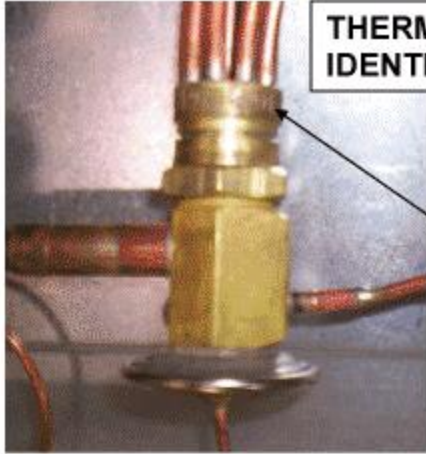
Evaporator Coil Parts 036-060



Compressor - Refrigeration Group 036-060



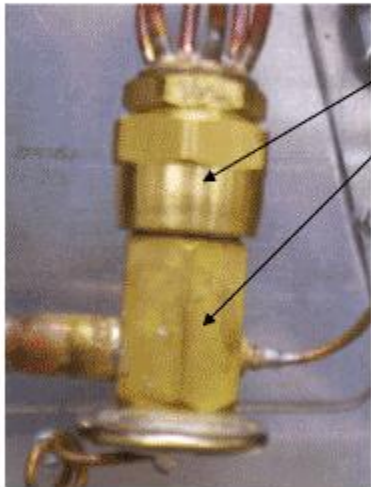
Reheat Circuit Assembly 036-060



**THERMAL EXPANSION VALVE MANUFACTURER IDENTIFICATION (For "N" Style Indoor Coils ONLY)**

**Sporlan Expansion Valves**

Look for the name "SPORLAN" engraved on the base at the distributor body assembly.



**Parker Expansion Valves**

The distributor body is larger (thicker) than the expansion valve body.



**Emerson Expansion Valves**

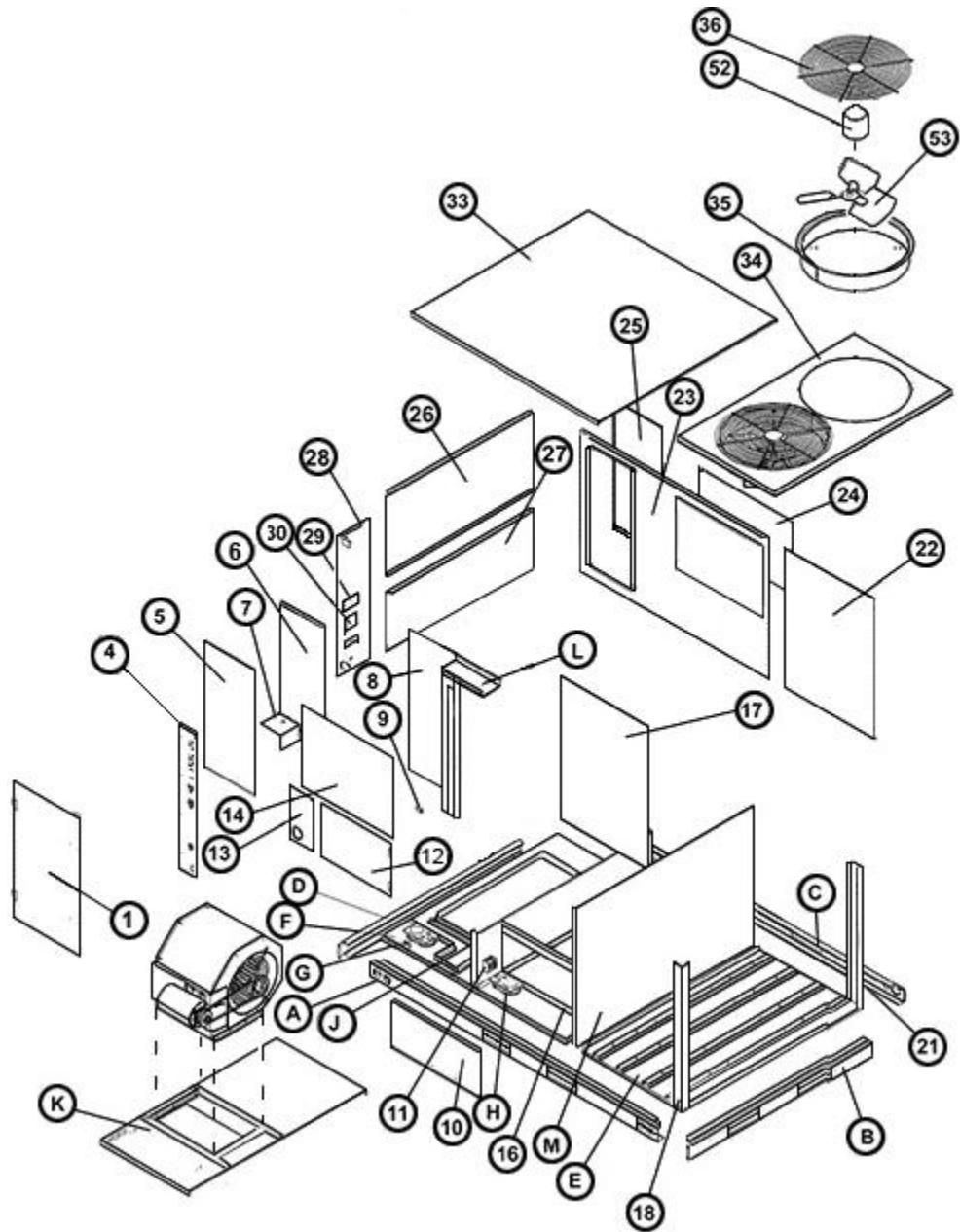
The expansion valve body is about two (2) inches long. Look between the arrows.

**IMPORTANT NOTE:**

**To obtain the correct replacement TXV you must either:**

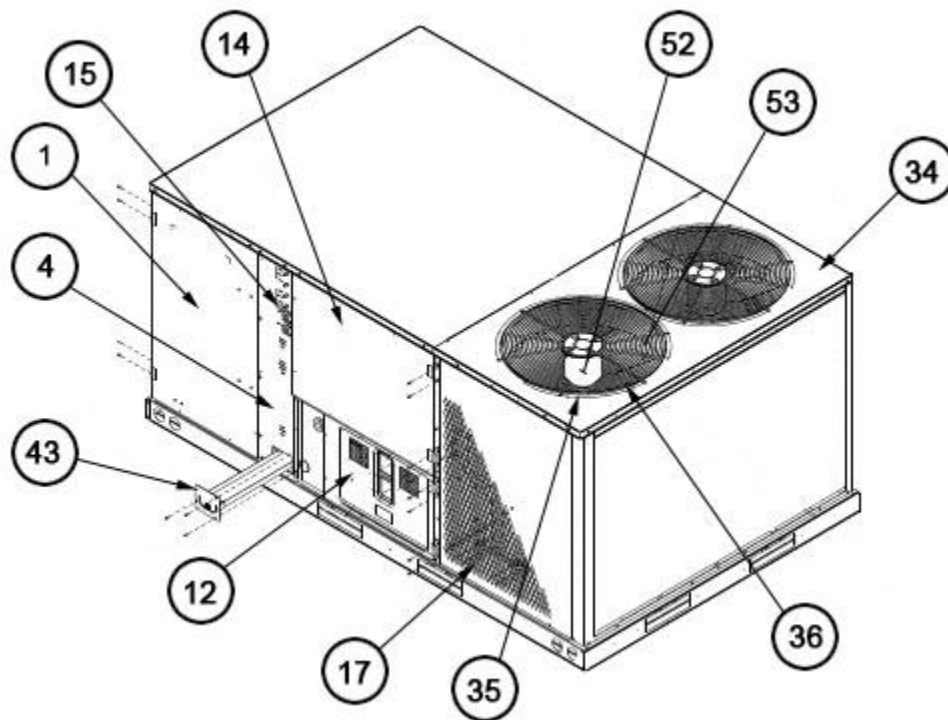
- 1. Provide the EXACT TXV part number obtained by examining the unit.**
- 2. Provide a) The unit model number and b) the TXV manufacturer (determined by using this guide).**

TXV Identification Guide

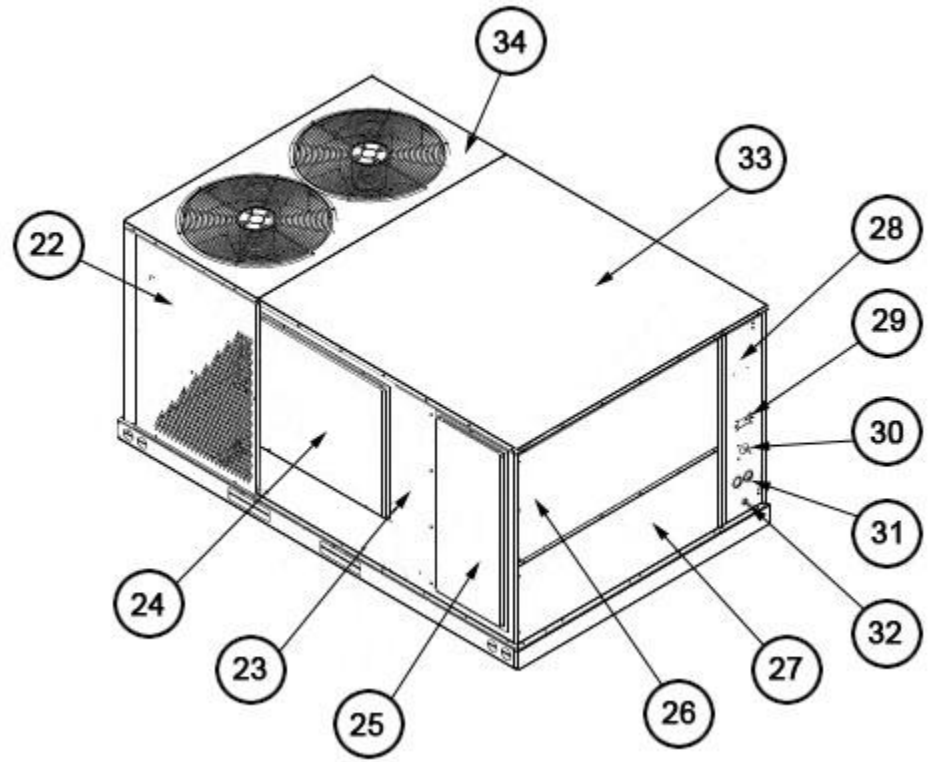


Exploded View 090-151

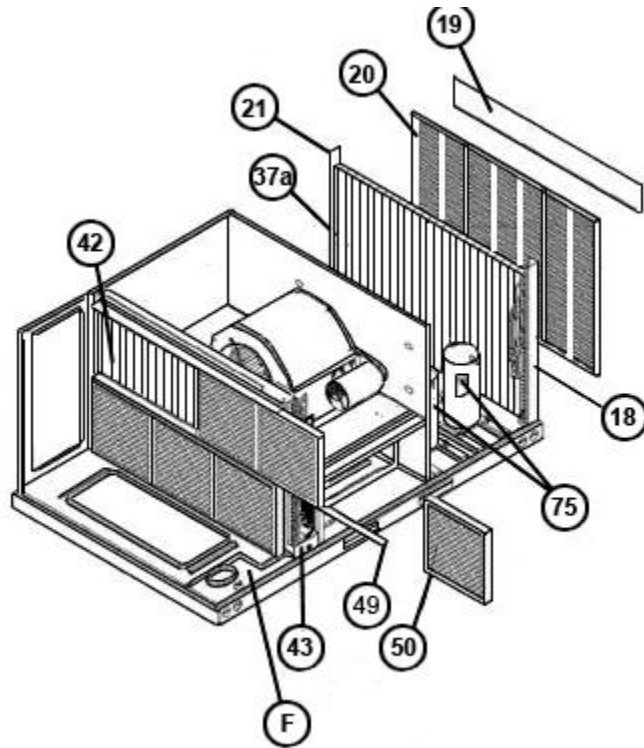




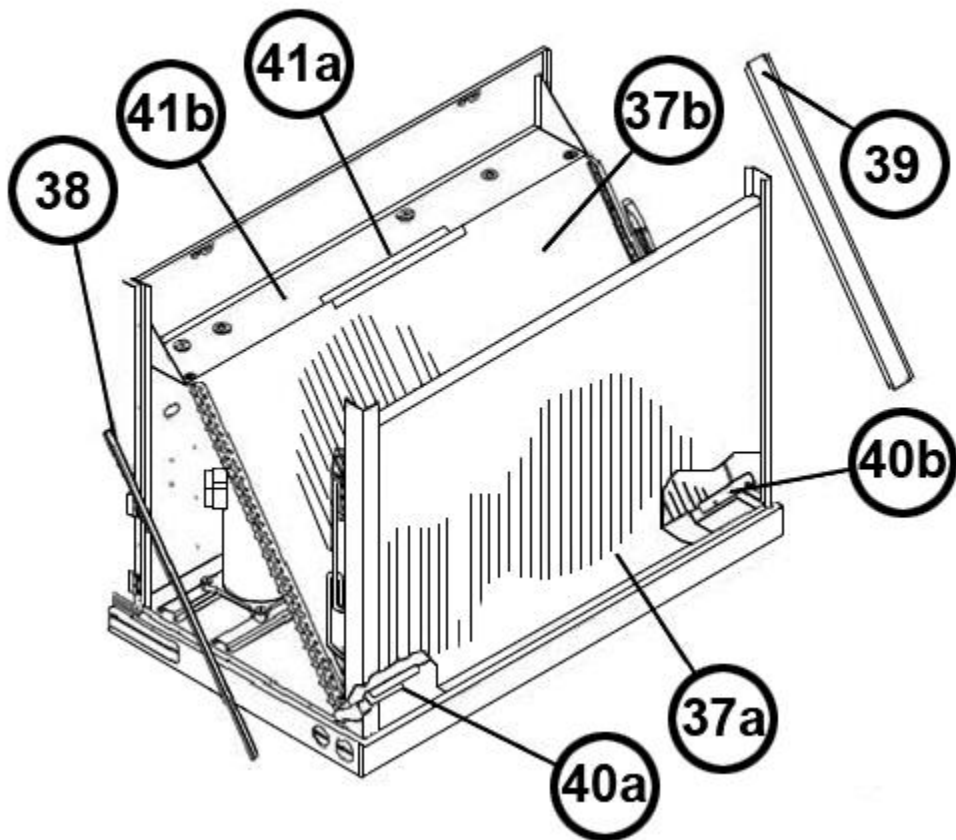
Exterior - Front 090-151



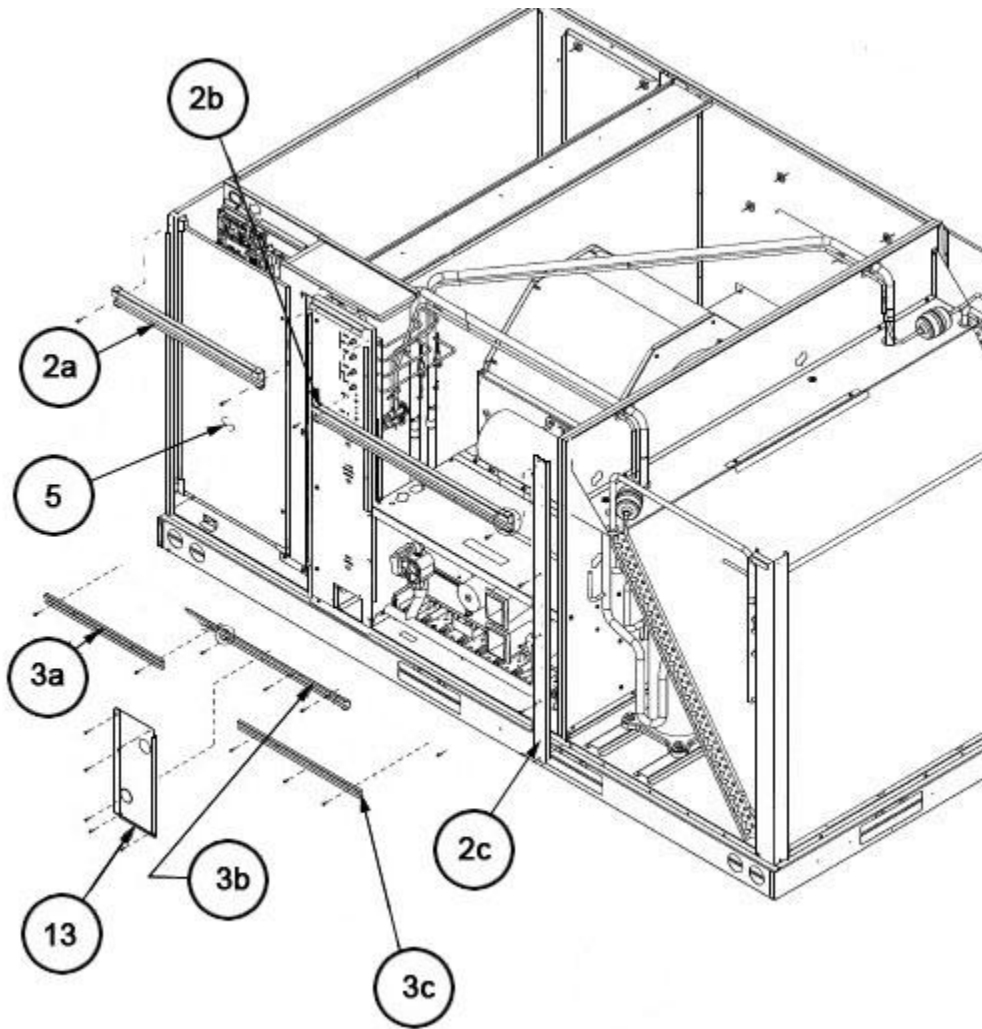
Exterior - Back 090-151



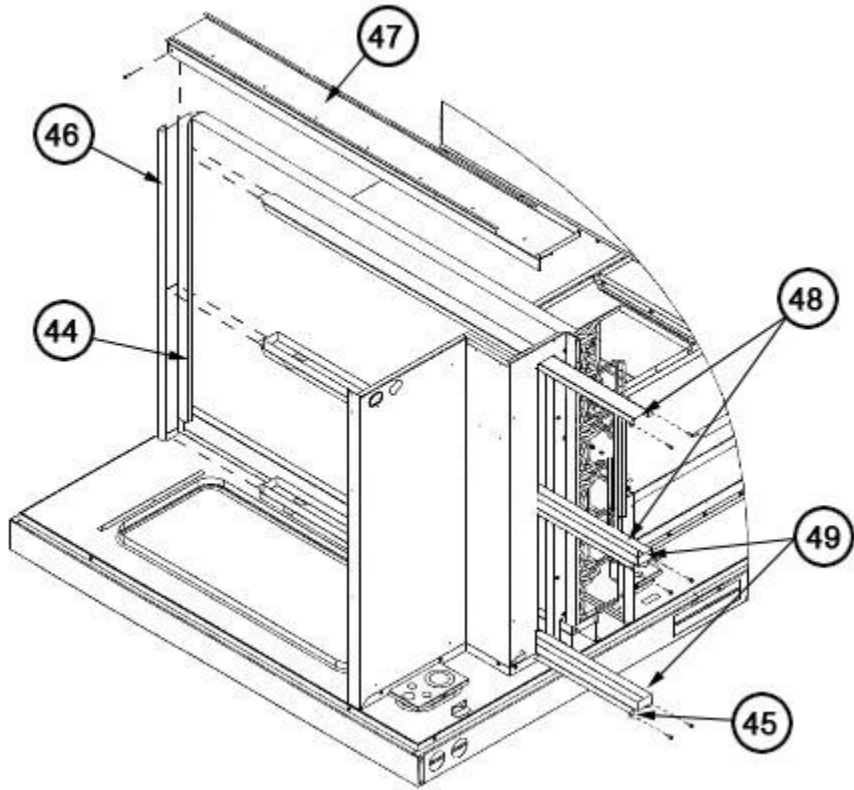
Filter-Coil Assembly 090-151



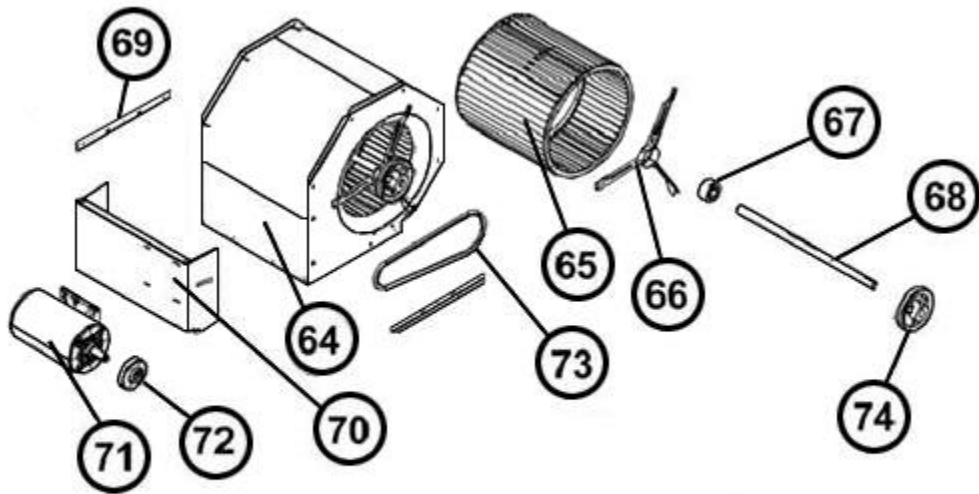
Condenser Coil Assembly 090-151



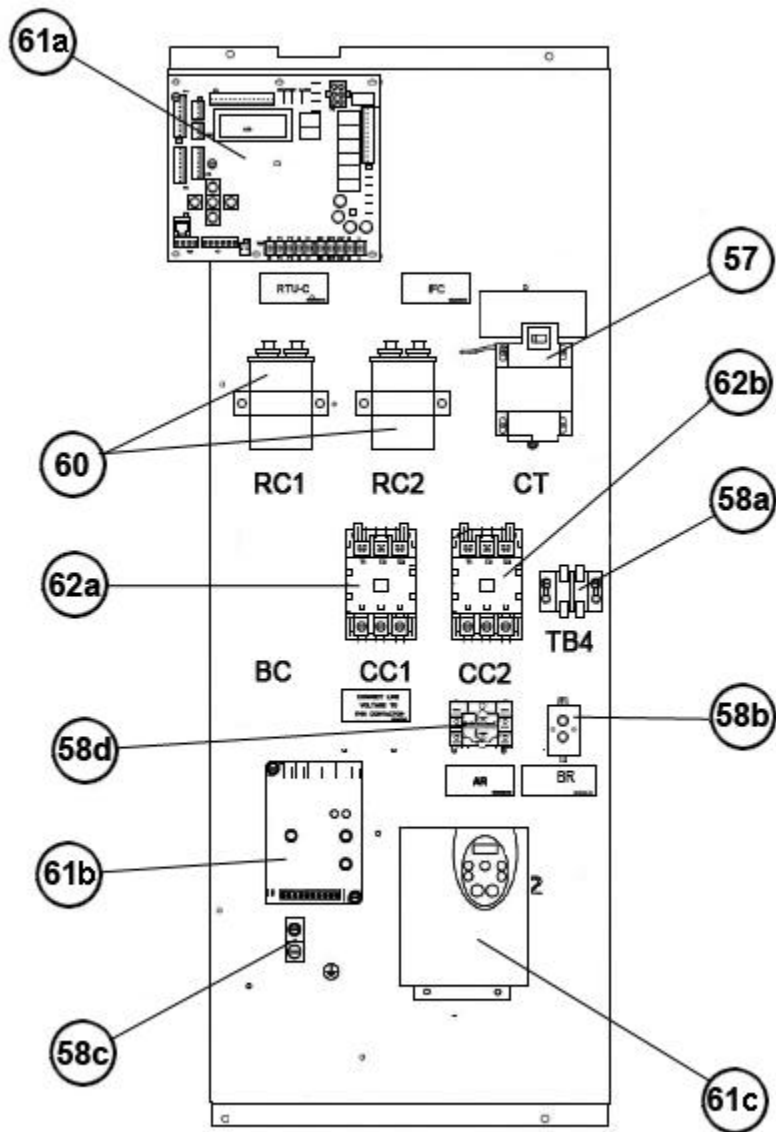
Front Panel Brackets 090-151



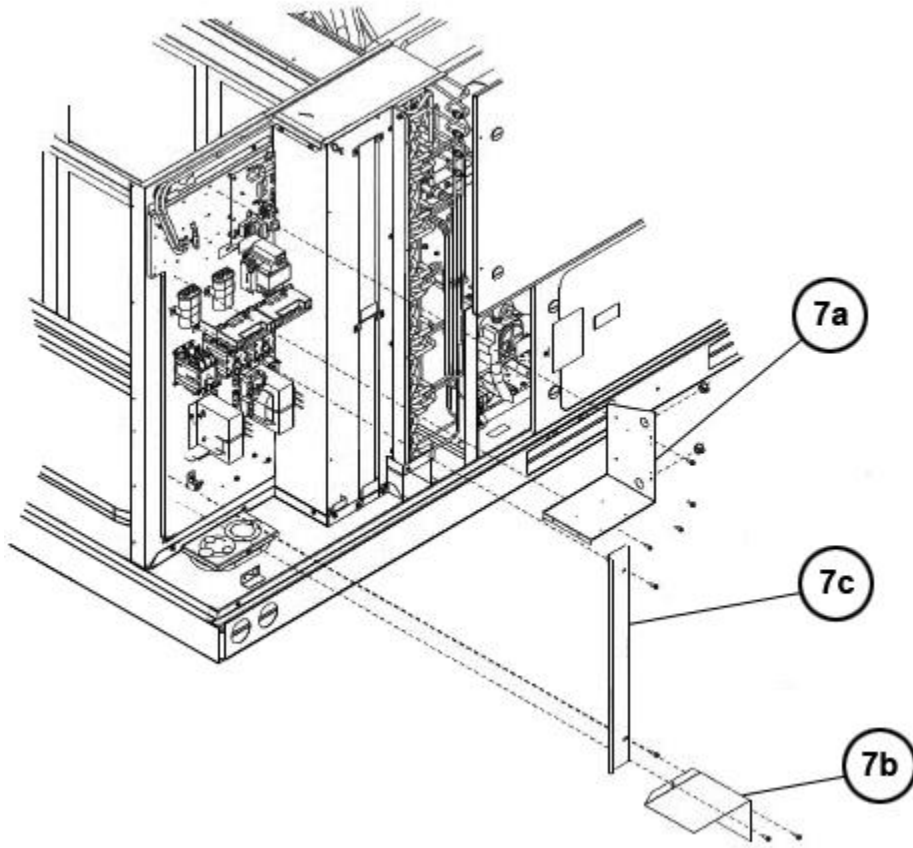
Filter Frame Assembly 090-151



Blower Assembly 090-151

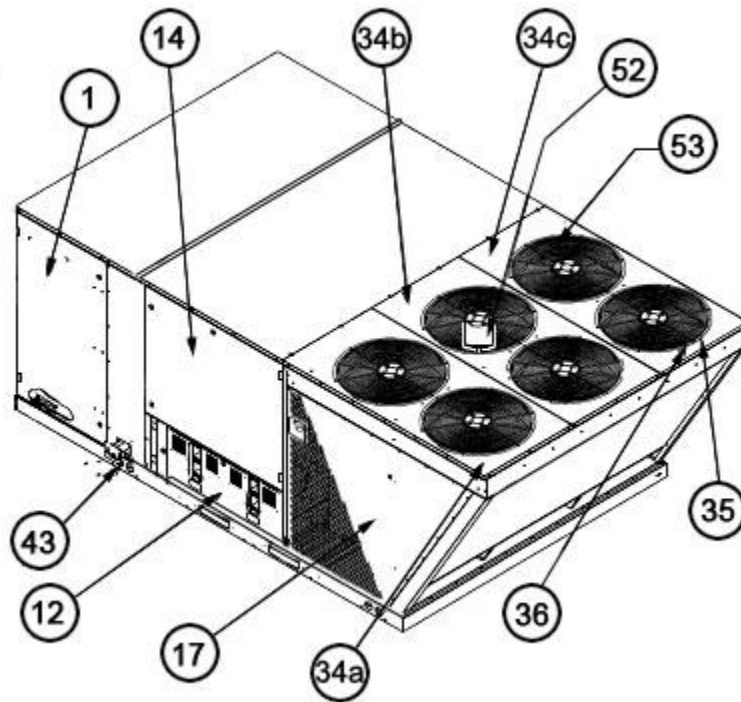


Control Box 090-151

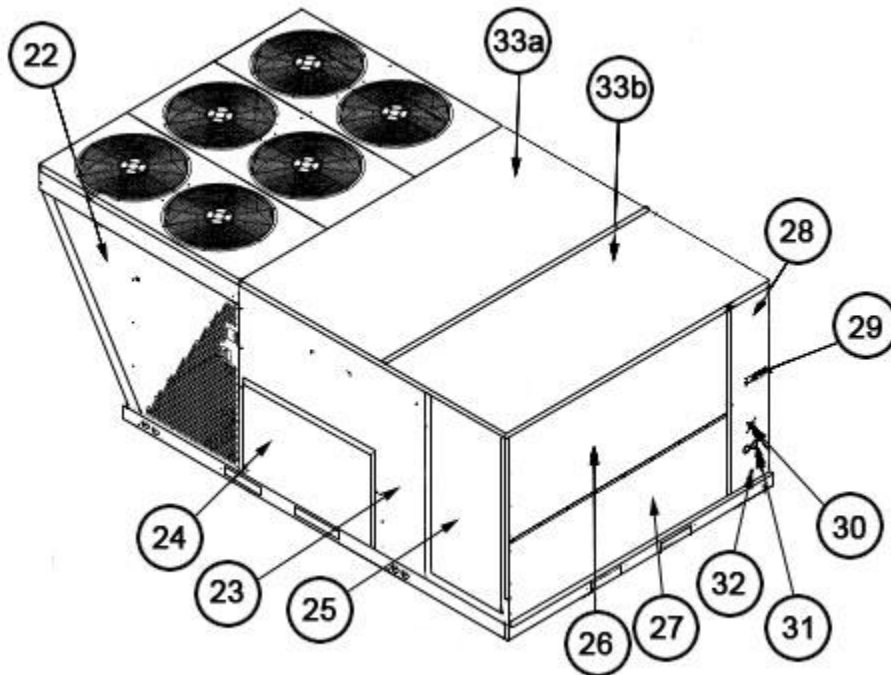


Low Voltage Shields 090-151



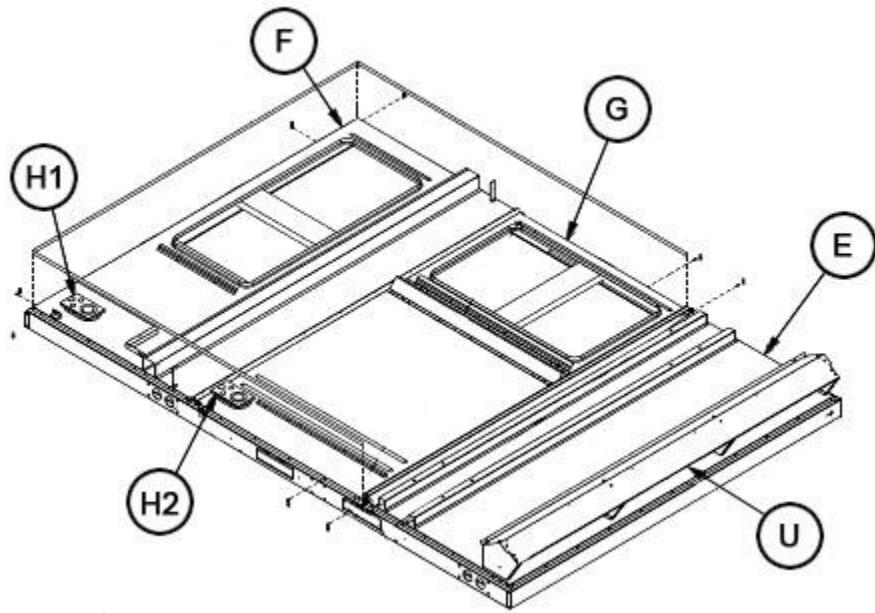


Exterior - Front 180-300

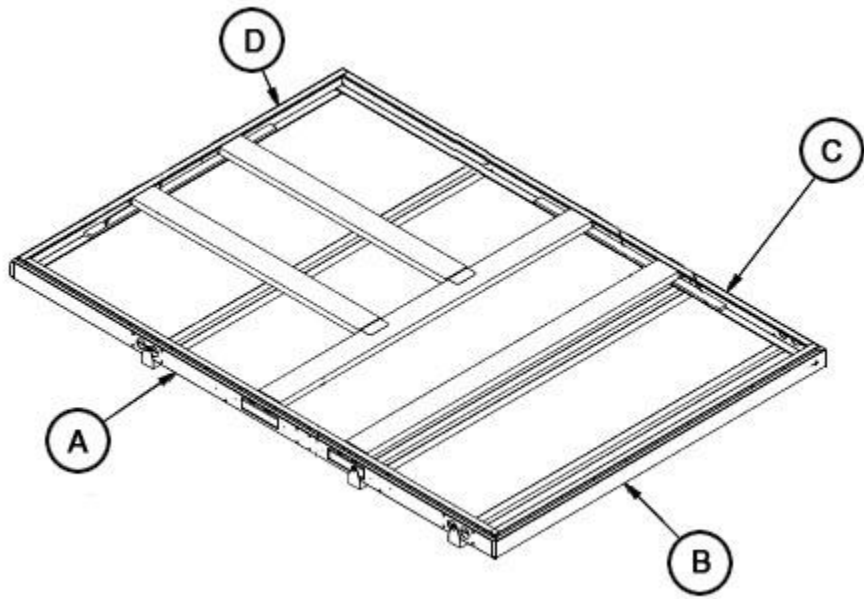


Exterior - Rear 180-300

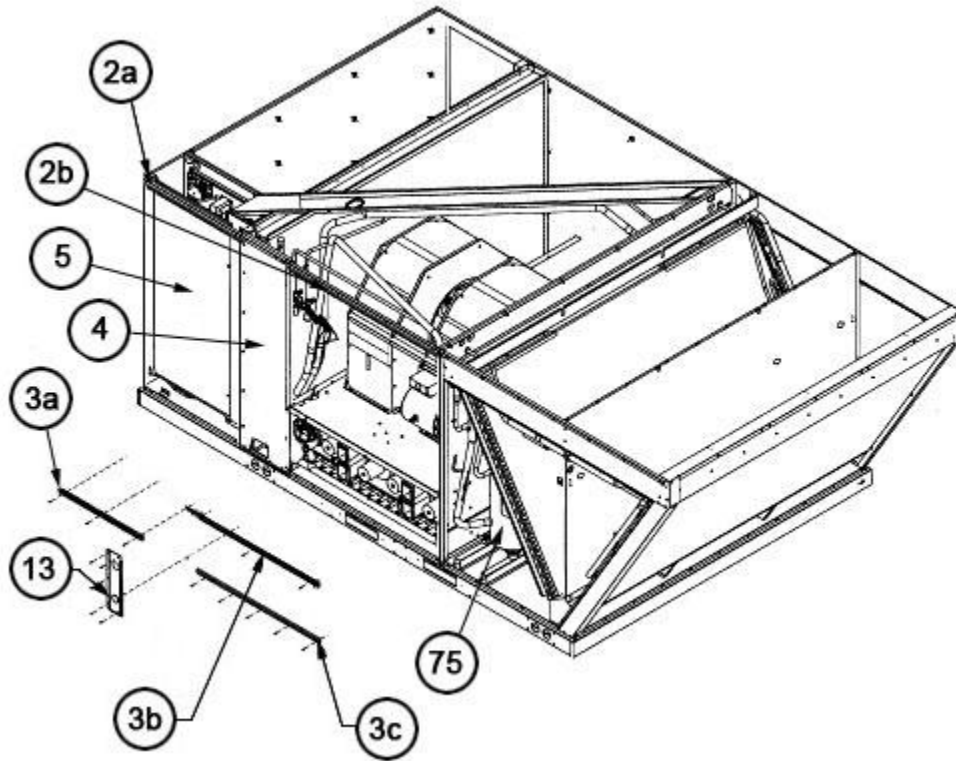




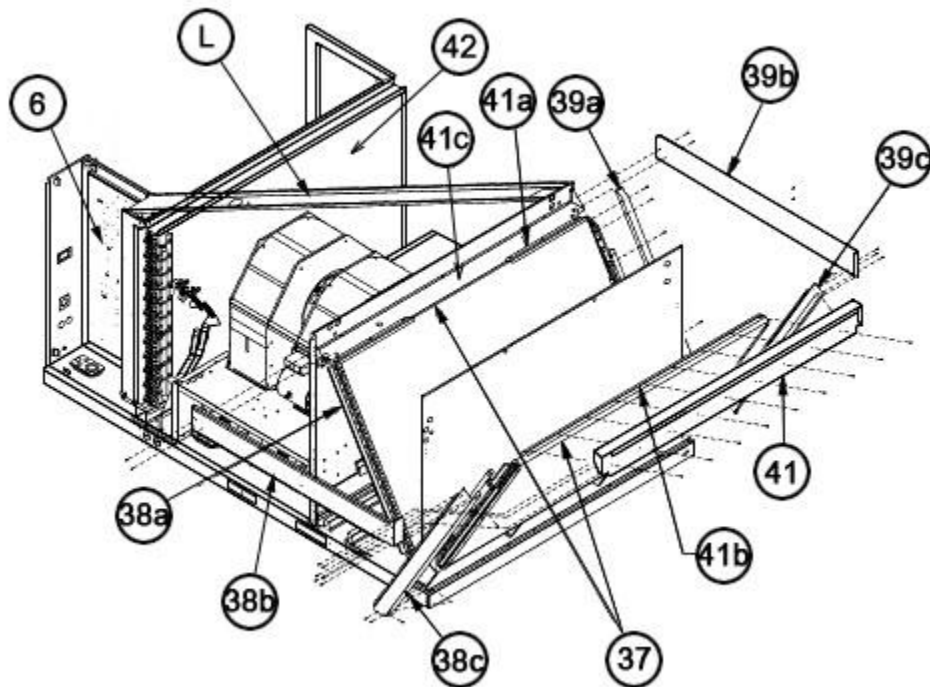
Base Pan Assembly 180-300



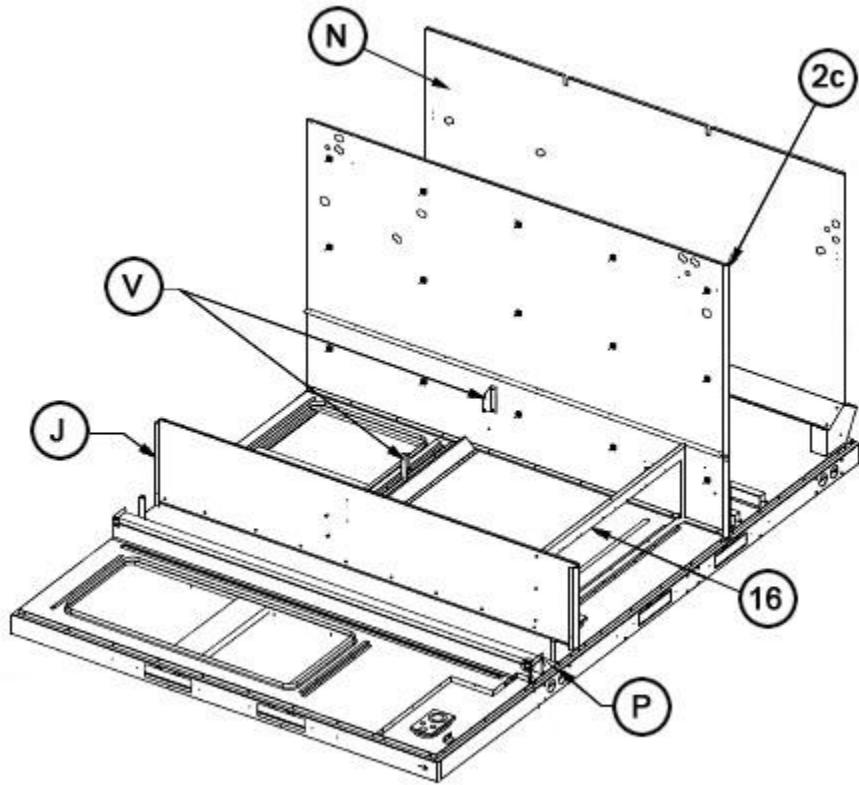
Base Rail Assembly 180-300



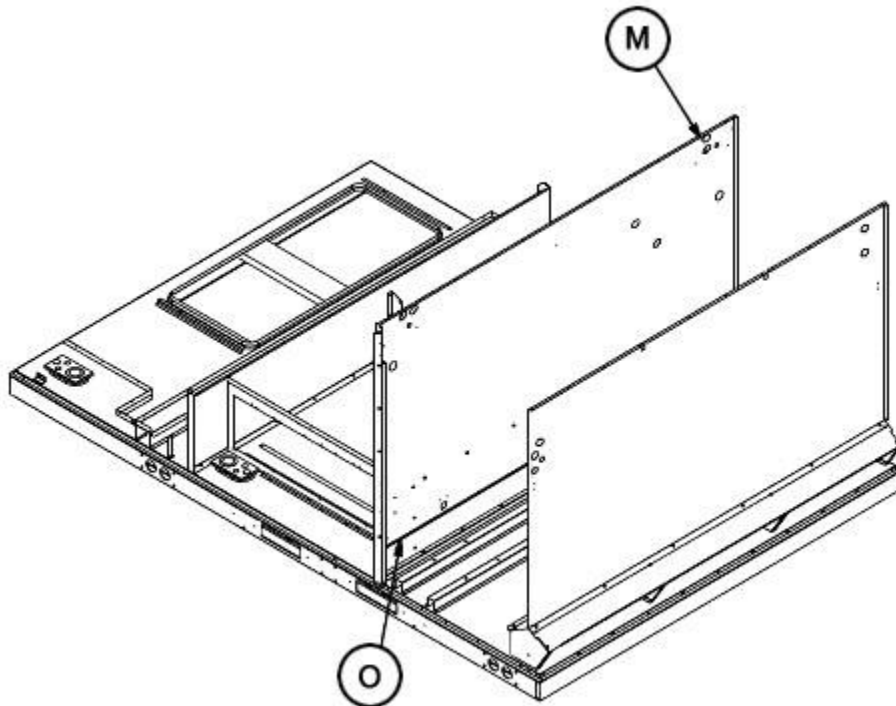
Front Panel Brackets 180-300



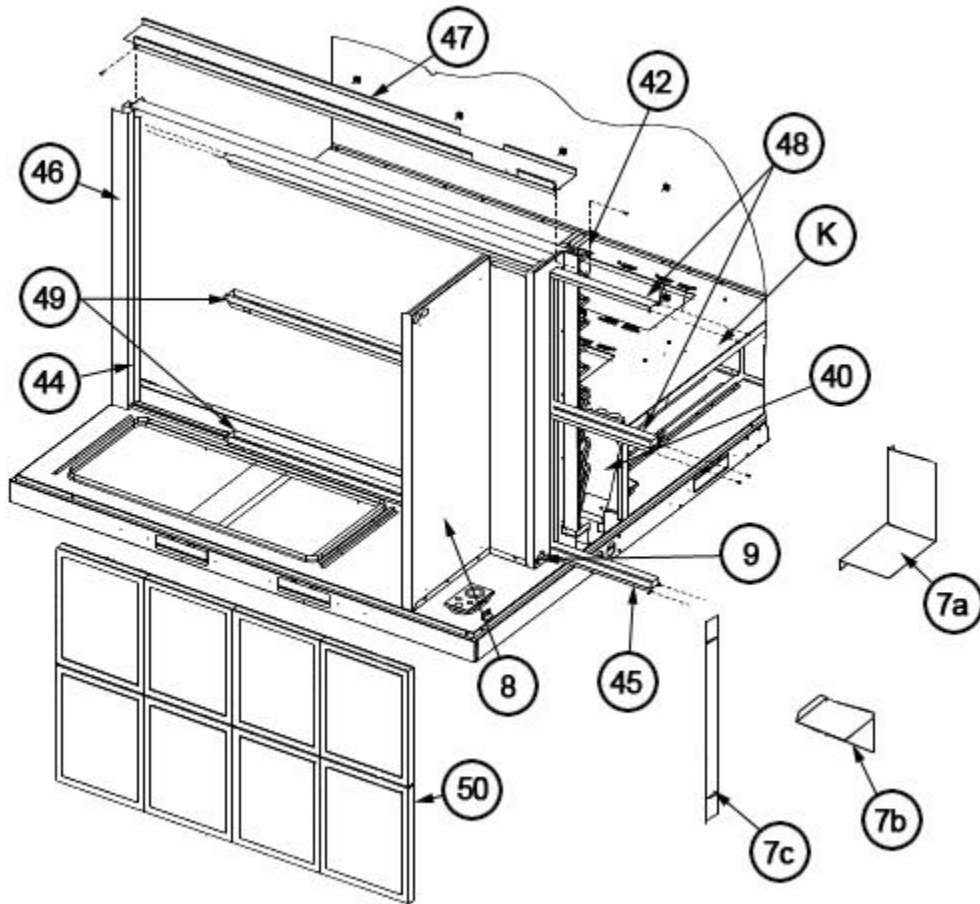
Interior - Coil 180-300



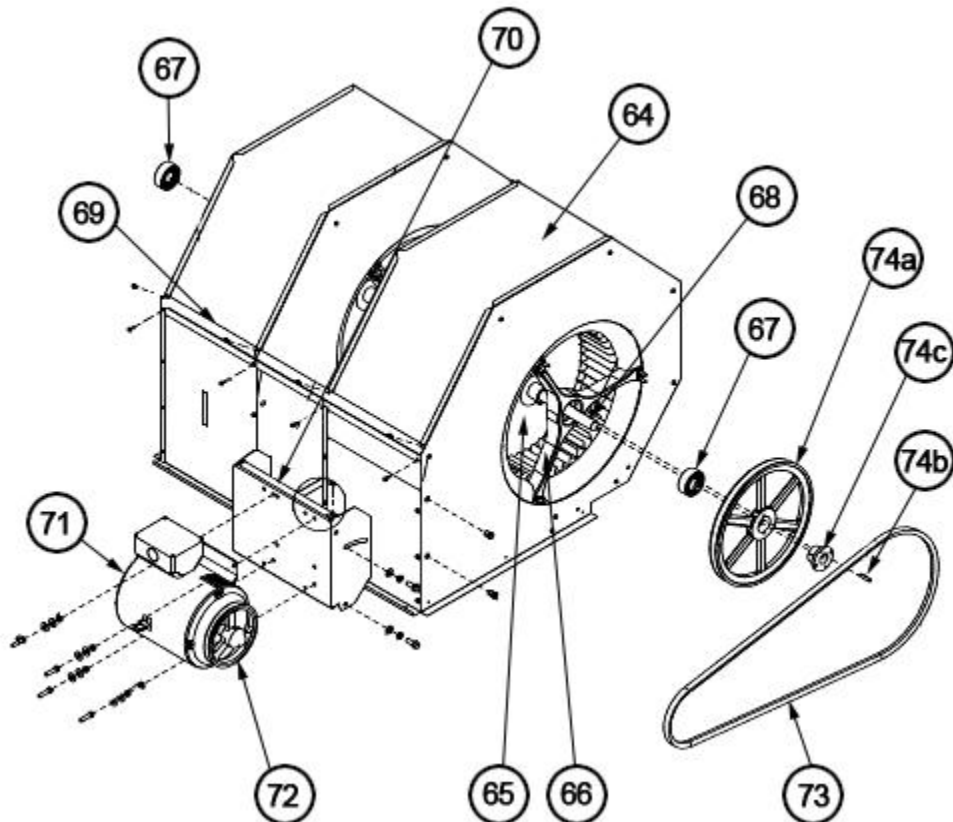
Heat Compartment 180-300



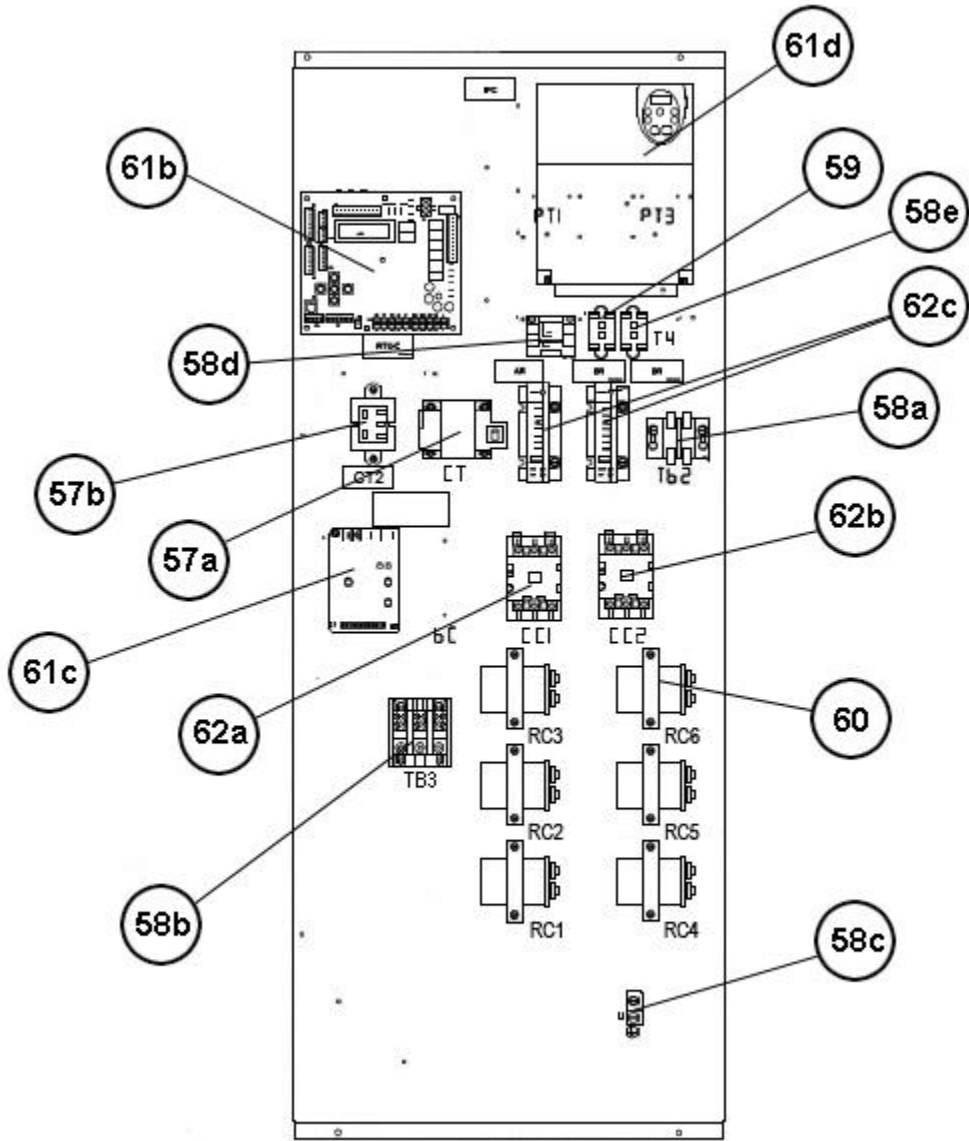
Condenser Bulkhead 180-300



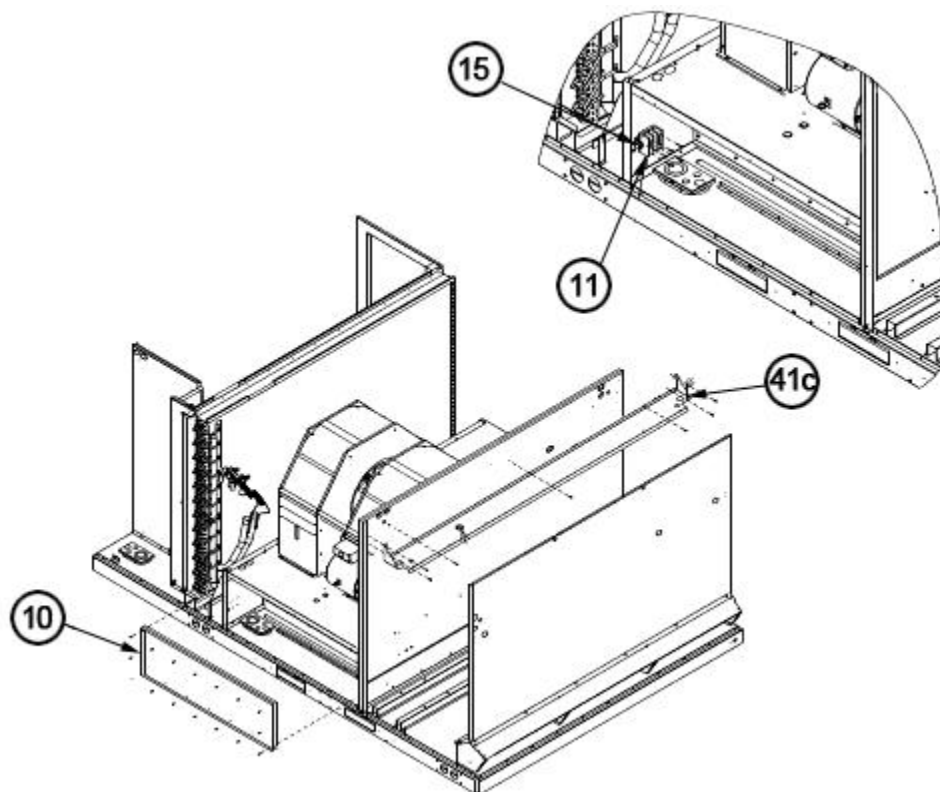
Filter Frame Assembly 180-300



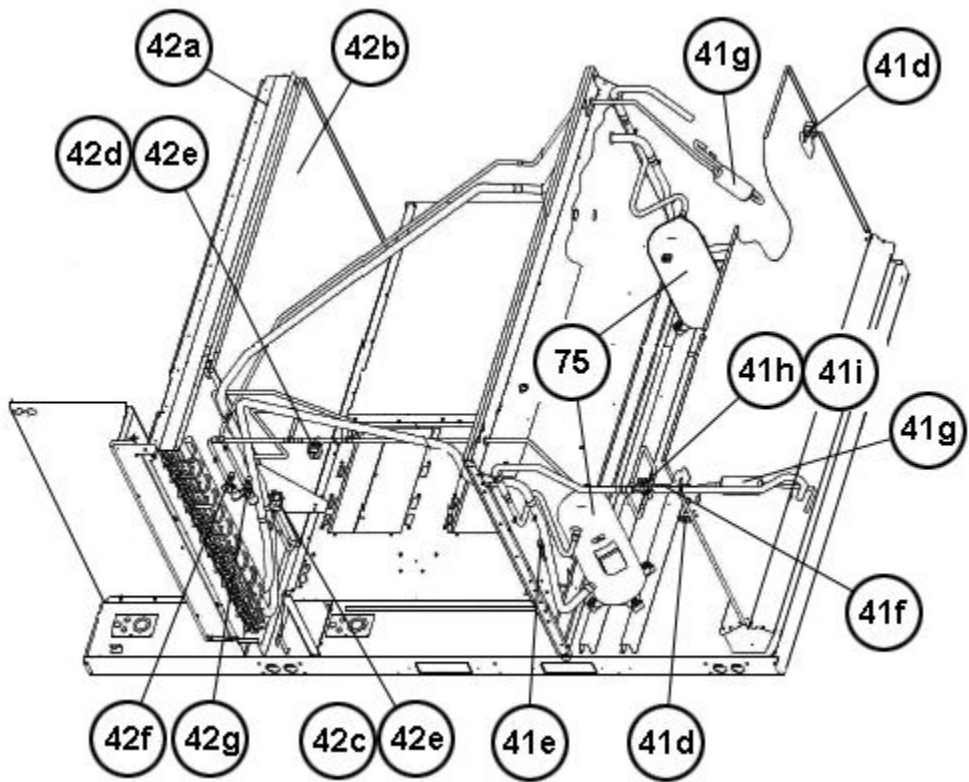
Blower Assembly 180-300



Control Box 180-300



Electric Heat Block-Off 180-300



Reheat Circuit Assembly 180-300

# NOTES

Stk It is recommended that stock be maintained for this part.  
N/A Not Applicable

**DISCLAIMER:** This document is intended to provide general replacement parts information to aid qualified service personnel in the repair of these models. The complete Model and Serial Number of the unit under repair should be specified when selecting and ordering replacement parts. Specifications and illustrations are subject to change without notice. Document 92-42800-RLNL-G supersedes all previous parts lists for these models. See <http://www.rheempartslists.net/92-42800-RLNL-G> for the latest revision of this document. The manufacturer assumes no obligation for errors or omissions. Service personnel must verify the proper and safe operation of equipment after the replacement of any original components.