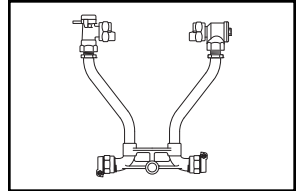


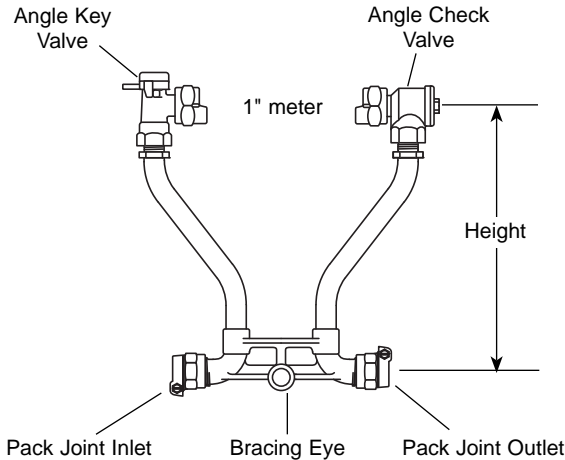
SUBMITTAL INFORMATION

70 Series Coppersetter - (VH74-xxW-44-44-NL style)



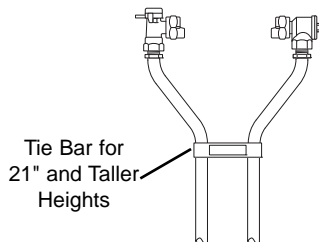
ANGLE KEY VALVE BY ANGLE CHECK VALVE (1" METER)

PACK JOINT FOR COPPER OR PLASTIC TUBING (CTS) INLET AND OUTLET



Coppersetter Part Number

HEIGHT (INCHES)	APPROX. WT. LBS.	CATALOG NUMBER	✓ SUBMITTED ITEM(S)
10	8.7	VH74-10W-44-44-NL	
12	8.8	VH74-12W-44-44-NL	
15	9.1	VH74-15W-44-44-NL	
18	9.4	VH74-18W-44-44-NL	
21	10.9	VH74-21W-44-44-NL	
24	11.3	VH74-24W-44-44-NL	
27	11.6	VH74-27W-44-44-NL	
30	11.9	VH74-30W-44-44-NL	
33	12.2	VH74-33W-44-44-NL	
36	12.5	VH74-36W-44-44-NL	
39	12.8	VH74-39W-44-44-NL	
42	13.1	VH74-42W-44-44-NL	



Service Line Size

INLET	OUTLET
1" (CTS) P.J.	1" (CTS) P.J.

Note: Ford recommends using insert stiffeners with plastic pipe or tubing

FEATURES

- All brass that comes in contact with potable water conforms to AWWA Standard C800 (UNS NO C89833)
- The product has the letters "NL" cast into the main body for proper identification
- Brass components that do not come in contact with potable water conform to AWWA Standard C800 (ASTM B-62 and ASTM B-584, UNS NO C83600 - 85-5-5-5)
- Saddle Nuts hold the meter in place for tightening
- Bracing Eye is standard on all 70 Series Coppersetters
- Tie Bar is standard for 21" and taller Coppersetter heights (74 Series)
- 1-1/8" Copper Risers provide more flow capacity
- All Ford Setters are assembled with lead-free solder
- Copper conforms to ASTM B-88, Copper Alloy #122

The Ford Meter Box Company considers the information in this submittal form to be correct at the time of publication. Item and option availability, including specifications, are subject to change without notice. Please verify that your product information is current.



The Ford Meter Box Company, Inc.

P.O. Box 443, Wabash, Indiana U.S.A. 46992-0443

Phone: 260-563-3171 / Fax: 800-826-3487

Overseas Fax: 260-563-0167

<http://www.fordmeterbox.com>

03/12/13

Submitted By: