

THERMOSTATIC MIXING VALVE

ECO-MIX™

MODEL 370-LF

LEAD FREE THERMOSTATIC POINT OF USE MIXING VALVE

MODEL 3/4" inlets, 3/4" outlet, (MIPS connections)

MATERIALS:

- Lead free bronze body
- Locked temperature adjustment cap (vandal resistant)
- Copper encapsulated thermostat assembly with polymer thermoplastic shuttle
- Stainless steel springs
- Buna-N: O'rings
- Integral check valves on hot and cold inlets

PRESSURE-TEMPERATURE:

- Minimum Flow: 0.5 GPM (1.9 l/Min)
- Maximum Pressure: 125 PSI (8.6 BAR)
- Maximum Hot Water temperature: 200°F (93°C)
- Approach Temperature 5°F (2.8°C) above set point.
- Temperature adjustment range, 90-140°F (32-60°C) **

OPTIONS:

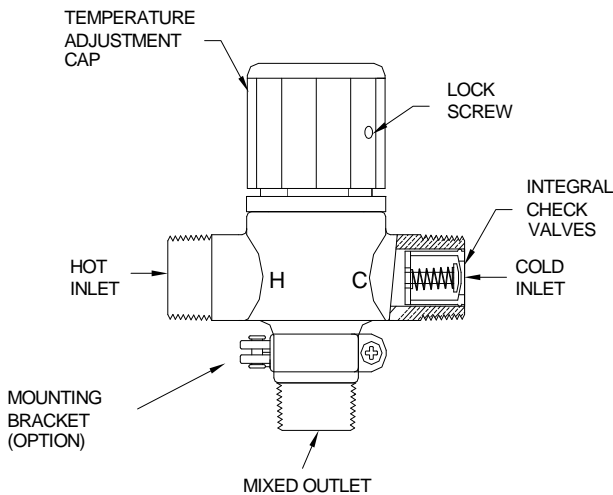
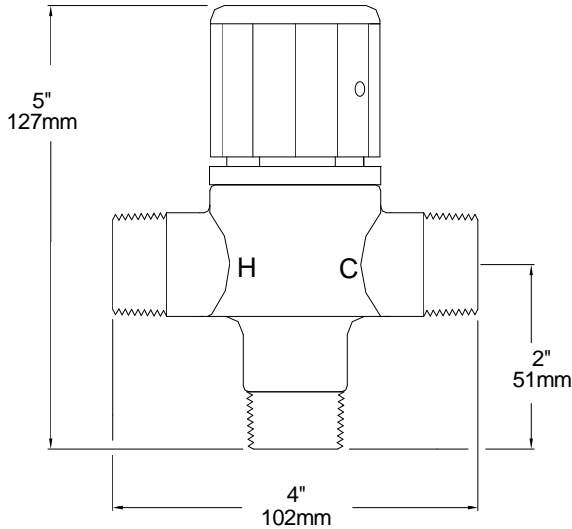
- ___ SUFFIX BRKT- Mounting bracket
- ___ SUFFIX BV- Ball valves on inlets (shipped loose)
- ___ SUFFIX SW- Sweat connections
- ___ SUFFIX DT- Dial thermometer and tee
- ___ SUFFIX CP- Chrome plated

ASSE 1017, 1070 CERTIFIED



****NOTE:** For temperatures outside of this valve's stated range, please see our line of bi-metal valves.

This product is certified to meet Low Lead requirements of wetted surface area containing less than 0.25% lead by weight



PRESSURE DROP						
5	10	20	30	40	50	PSI
.35	.70	1.4	2.1	2.8	3.4	BAR
4	6	8	10	11.5	13	GPM
15	23	30	38	44	49	l/min

Engineer's Approval 	Job # _____
	Arch/Eng. _____
	Contractor _____



1360 Elmwood Avenue, Cranston, RI 02910 USA
 Phone: 401.461.1200 Fax: 401.941.5310
 Email: info@leonardvalve.com
 Web Site: <http://www.leonardvalve.com>