
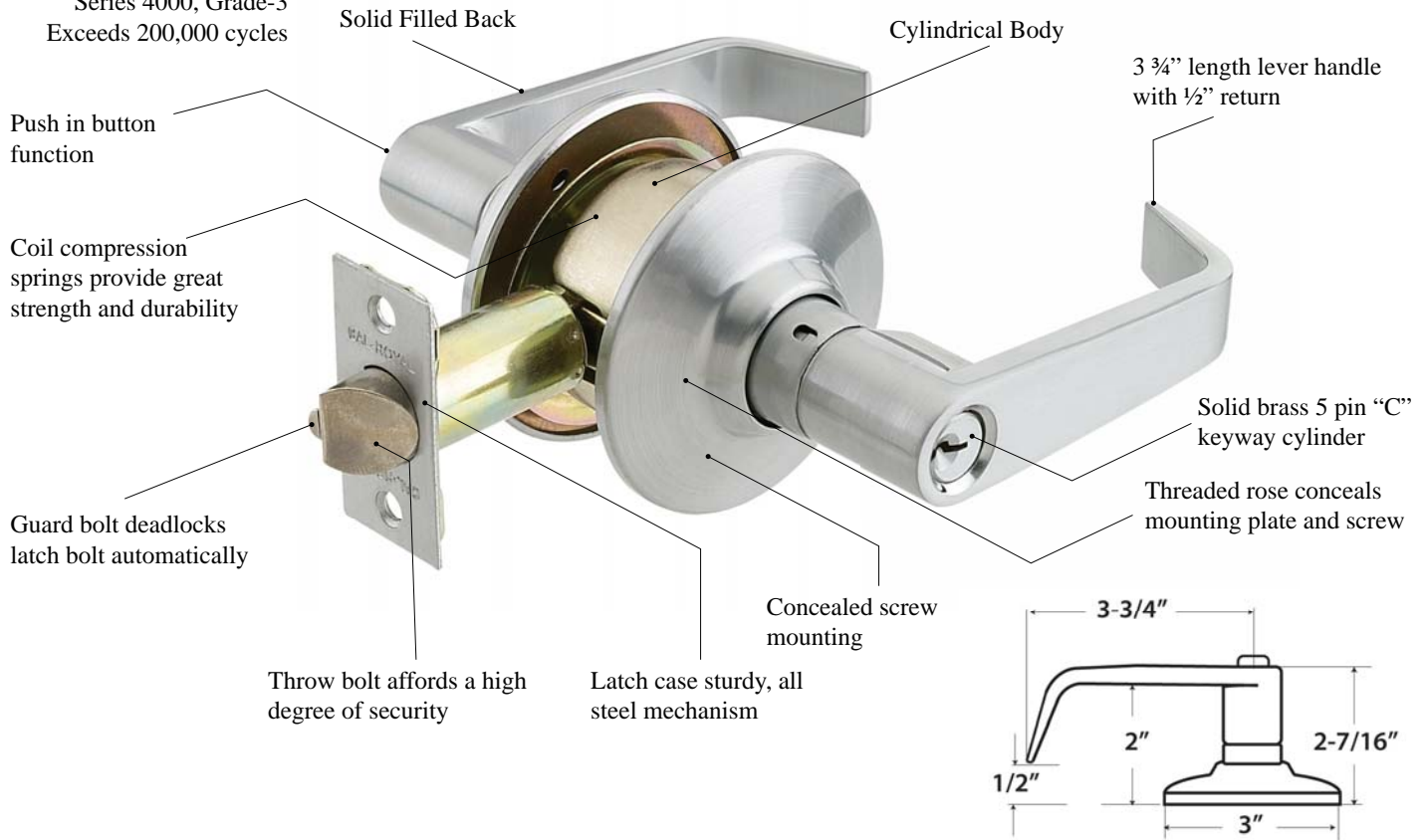


# EPIC

## STANDARD DUTY CYLINDRICAL LEVERSET MEETS ANSI STANDARD A156.2, GRADE 3

 Meets ADA requirements  
Specially designed for  
Barrier Free Application  
Conforms with ANSI A156.2  
Series 4000, Grade-3  
Exceeds 200,000 cycles



### SPECIFICATIONS

#### APPLICATIONS

For residential or light commercial applications.

#### DOOR RANGES

1 3/8" to 2" thickness doors.

#### BACKSET

2 3/8" or 2 3/4" backset.

#### LATCHBOLT

Die-Cast Zinc, Brass, Chrome or Brass plated 7/16" (11mm)  
Throw Latch Bolt.

#### LATCH FACEPLATE

2 1/4" x 1 1/8" for 2 3/4" backset. 2 1/4" x 1" for 2 3/8" backset.

#### EXPOSED TRIM

Wrought brass, bronze or stainless steel, levers are Zinc casting, plated to match trim finish.

#### STRIKES

Optional "T", full lip or ASA strike.

#### ANSI STANDARDS

Meets or exceeds requirements of BHMA/ANSI A156.2 Series 4000, Grade 3.

#### CYLINDER & KEYWAYS

5 pin solid brass Schlage "C" keyway standard.

#### LATCH & STRIKE SCREWS

8-32 x 1" FPH Dual Purpose.

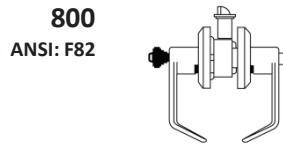
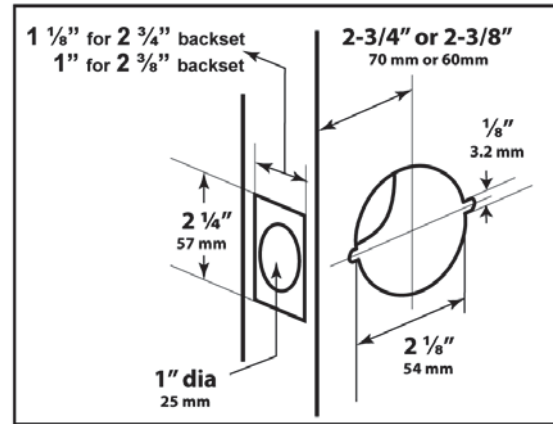
# EPIC 800 SERIES FINISHES AND FUNCTIONS



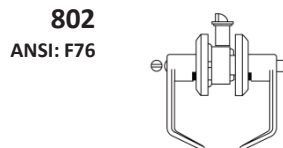
FINISHES AVAILABLE		
BHMA SYMBOL	US CODE	DESCRIPTION
605	US3	Polished Brass
606	US4	Satin Brass
609	US5	Antique Brass
612	US10	Satin Bronze
613	US10B	Oil Rubbed Bronze
619	US15	Satin Nickel
625	US26	Polished Chrome
626	US26D	Satin Chrome

Refer to price list for stock finishes and functions

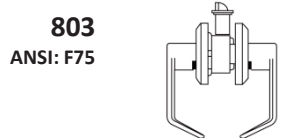
## DOOR PREPARATION



**ENTRANCE PUSH BUTTON**  
Push button locking. Pushing button locks outside lever requiring use of key until button is manually unlocked. Pushing button locks outside lever until unlocked with key or inside lever is turned.



**PRIVACY**  
Latch bolt operated by lever from either side. Outside lever is locked by push button inside and unlocked by emergency release outside. **Turning inside lever or closing door releases push button.**



**PASSAGE**  
Latch bolt operated by lever from either side at all times.



**DUMMY LEVER**  
Single dummy trim for one side of door. Pull only.

OTHER FUNCTIONS NOT LISTED AVAILABLE UPON REQUEST