



in sink erator®

**Instant HOT
Water Filtration
System**
Installation Instructions

**Sistema
de filtración de
agua CALIENTE**
Instrucciones de instalación

**Système de
filtration d'eau
CHAUDE instantanée**
Instructions d'installation

EMERSON
Commercial & Residential Solutions

The Emerson logo is a trademark and a service mark of Emerson Electric Co. InSinkErator may make improvements and/or changes in the specifications at any time, in its sole discretion, without notice or obligation and further reserves the right to change or discontinue models. ©2014 InSinkErator, a business unit of Emerson Electric Co. All Rights Reserved.

El logotipo Emerson es una marca registrada y una marca de servicio de Emerson Electric Co. InSinkErator puede realizar mejoras y/o modificaciones en las especificaciones en cualquier momento, y bajo su exclusivo criterio, sin previo aviso u obligación; además, se reserva el derecho de cambiar o suspender los modelos. ©2014 InSinkErator, una unidad comercial de Emerson Electric Co. Todos los derechos reservados.

Le logo Emerson est une marque de commerce et de service d'Emerson Electric Co. InSinkErator se réserve le droit, à son entière discrétion, d'apporter en tout temps des améliorations ou des modifications aux spécifications, et ce, sans préavis ou obligation de sa part, ou de modifier ou de supprimer des modèles. ©2014 InSinkErator, une unité commerciale d'Emerson Electric Co. Tous droits réservés.

F-1000S
F-2000S

EMERSON
Commercial & Residential Solutions

in sink erator®

4700 21st St.
Racine, WI 53406
1.800.558.5700
www.insinkerator.com

ISE
44688 REV B
34-8711-7208-5

INTRODUCTION

Read, understand, and follow all safety information contained in these instructions prior to installation and use of the InSinkErator® Instant Hot Water Dispenser Filtration System. Retain these instructions for future reference.

The InSinkErator Instant Hot Water Dispenser Filtration System offers two levels of filtration, depending on the filter used: **F-1000S** is intended for use in filtering particulates, chlorine taste and odor from drinking water, and has not been evaluated for other uses; **F-2000S** reduces particulates, chlorine taste and odor, plus cysts, lead, mercury, asbestos, benzene, atrazine, 2,4-D, Lindane, Carbofuran and p-Dichlorobenzene. The system is typically installed (near or beneath a sink) where filtered drinking water is desired, and must be installed, operated and maintained as specified in the installation and use instructions.

▲ WARNING Warning indicates a potentially hazardous situation, which, if not avoided, could result in death or serious injury.

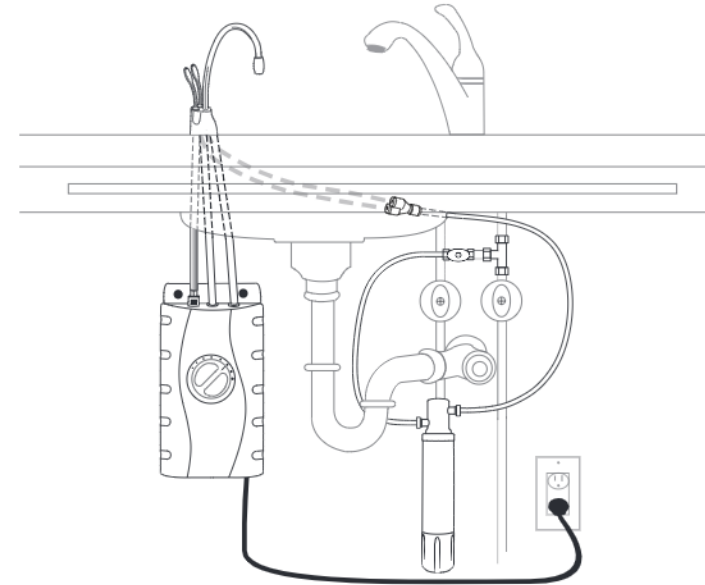
▲ CAUTION Caution, used with the safety alert symbol, indicates a hazardous situation which, if not avoided, could result in minor or moderate injury.

NOTICE Notice is used to address practices not related to personal injury.

COMPONENTS IN THIS PACKAGE



OVERVIEW OF A COMPLETED SETUP



▲ WARNING To reduce the risk associated with choking: Do not allow children under 3 years of age to have access to small parts during the installation of this product.

▲ WARNING To reduce the risk associated with ingestion of contaminants, do not use with water that is microbiologically unsafe or of unknown quality without adequate disinfection before or after the system.

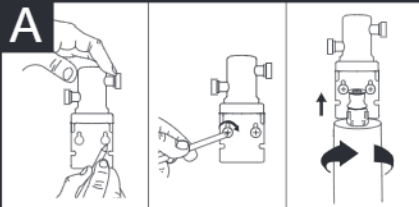
NOTICE To reduce the risk associated with property damage due to water leakage or flooding, and to ensure optimal filter performance:

- Read and follow Use Instructions provided with the original system before installation and use of this product.
- Change the disposable filter cartridge every six months or sooner if you observe a noticeable reduction in water flow rate. Failure to replace the disposable filter cartridge at recommended intervals may lead to reduced filter performance and cracks in the filter housing, causing water leakage or flooding.
- For systems using two handle HC model faucets, operate only one handle at a time.

Turn off water supply before starting.

Installation must comply with all state and local laws and regulations.

1 INSTALLING FILTRATION SYSTEM

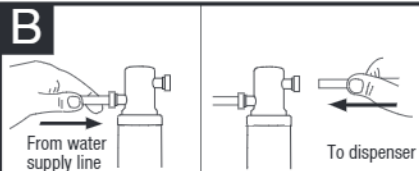


Screws provided are for use in wood studs or cabinets only. Use wall anchors (not supplied) for installation into drywall.

- Separate cartridge from filter head.
- Mark hole locations for filter head and bracket in a spot that allows for filter replacement.
- Drill 1/8" starter holes and attach bracket to wall with wood screws, turning until snug.
- Insert cartridge into filter head. Top surface of cartridge will become flush with bottom of filter head when fully engaged.

⚠ WARNING

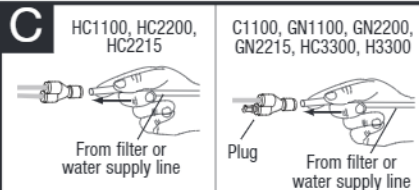
Personal Injury: Do not locate filter above an outlet or other electrical device. Install head and bracket so that connections require no stretching, kinking or pinching of tubing.



NOTICE

Property Damage: Tube runs need to form to the cabinet's contours to allow storage space with no sharp bends. Tubes need clean, perpendicular, burr-free cuts to ensure a true fit.

- Determine length of tubing required, then cut to length making sure the cut is perpendicular and burr-free.
- Insert a **white** 1/4" tube into inlet side of filter head until it stops. **Press in again to ensure a secure fit.**
- Insert the other **white** 1/4" tube into outlet side of filter head until it stops. **Press in again to ensure a secure fit.**

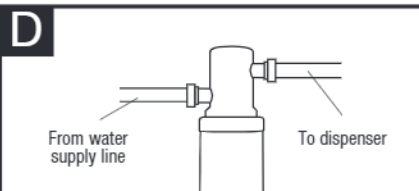


NOTICE

Property Damage: Do not extend the lines farther than the 16" provided. Ensure tube(s) and "Y" connector are securely fit.

- Insert the copper tubes(s) from the dispenser into "Y" quick-connector using the plug for hot-only models.
- Connect the **white** 1/4" tube from the right outlet on the filter head into the quick-connect fitting until it stops. **Press in again to ensure a secure fit.**

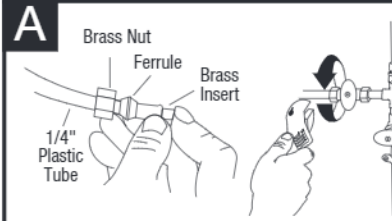
To remove tube(s) or plug from quick-connector, depress the release ring and gently pull away.



- Connect remaining **white** 1/4" tube to incoming water supply line.

It is normal for approximately 2 oz. of water to discharge when filter is removed.

2 FINAL WATER CONNECTION



NOTICE

Property Damage: Join remaining tube to cold water supply only.

- Install a T-fitting (*not included*) onto the cold water supply line.
- Install dedicated water control valve with 1/4" compression fitting.
- At the end of the **white** 1/4" tube from the filter or quick-connector, slide the supplied brass nut and ferrule over the tube and then push in the brass tube insert.
- Insert the **white** 1/4" tube into the 1/4" compression fitting and tighten.

3 TURN ON WATER & CONNECT POWER



⚠ WARNING

Scalding Hazard: The faucet dispenses near-boiling (212°F) water which can instantly cause scalds or burns. Use care when operating this appliance.

- Turn on the water supply.
- Depress the dispenser's **HOT** handle and hold it until water flows from the spout (approximately 1 to 2 minutes).
- For the F-1000S and F-1000, flush 2.25 gallons through filter before use (approximately 3 minutes). For the F-2000S and F-2000, flush 3 gallons through filter before use (approximately 4 minutes).
- Check all connections to ensure they are tight and that there are no leaks.

F-1000 Cartridge (included with this system) Chemical & Mechanical Reduction Filter Specifications:
This cartridge provides mechanical and chemical reduction of chlorine taste & odor and particulate class III.



Tested & Certified by NSF International against NSF/ANSI Standard 42 in the following InSinkErator Systems Only: GN1100, HC1100, GN2200, HC2200, GN2215, HC2215, H3300 or HC3300 for the reduction of claims specified on the Performance Data Sheet. For systems using two handle HC model faucets, operate only one handle at a time.

Pressure: 30-120 (207-827 kPa) psi
Temperature: 33°F - 100°F
Flow Rate: 0.75 gpm
Capacity: 500 gallons

Filter Capacity: 500 gallons, depending on local water conditions. Note that while the testing was performed under standard laboratory conditions, actual performance may vary. Do not use with water that is microbiologically unsafe or of unknown quality without adequate disinfection before or after the system. For cold water use only. Systems must be installed and operated in accordance with the Manufacturer's recommended procedures and guidelines. See warranty card for warranty. For service and parts, contact your local dealer or InSinkErator® directly at 1-800-558-5700.

Contaminant Reduction	Average Influent	Influent Challenge Concentration, Except As Noted, Units Apply to Each Flow.	Avg. Product Water	Average % Reduction	NSF Red. Requirements	NSF Test
Chlorine Taste & Odor	2.1 mg/L	2.0 mg/L ± 10%	0.06 mg/L	97.0%	≥ 50%	J-00082587
Nominal Particulate Class III, ≥5 µm to <15 µm	270,000 pts/mL	At least 10,000 particles/mL	82 pts/mL	99.9%	≥85%	J-00119308

Application guidelines/Water Supply Parameters for NSF Testing: Service flow of 0.75 gpm, community or private well water supply, water pressure of 20-120 psi (138-827 kPa), water temperature of 33°F-100°F Except as noted, all testing performed at pH = 7.5 ± 0.5, Flow: 0.75 gpm, Pressure: 60 psi, Temp: 20 ± 3°C.

Refer to the Performance Data Sheet for InSinkErator Filter System Model F-2000S
Replacement Cartridge: F-2000

Contact an authorized InSinkErator service agent for repairs or replacement components. Replacement filters F-1000 and F-2000 can be ordered by calling 800-558-5700, visiting shop.insinkerator.com, or by contacting an authorized InSinkErator reseller.

IMPORTANT SAFETY INFORMATION

⚠ WARNING	To reduce the risk associated with the ingestion of contaminants: Do not use with water that is microbiologically unsafe or of unknown quality without adequate disinfection before or after the system.
⚠ WARNING	To reduce the risk associated with hazardous voltage due to an installer drilling through existing electric wiring or water pipes in the area of installation: Do not install near electric wiring or piping which may be in path of a drilling tool when selecting the position to mount the system bracket.
⚠ CAUTION	<p>To reduce the risk associated with property damage due to water leakage or flooding:</p> <ul style="list-style-type: none"> • Read and follow Use Instructions before installation and use of this system. • Installation and use MUST comply with all state and local plumbing codes. • Protect from freezing, remove filter cartridge when temperatures are expected to drop below 40° F (4.4° C). • Do not install systems in areas where ambient temperatures may go above 100°F (37.8°C). • Do not install on hot water supply lines. The maximum operating water temperature of this system is 100°F (37.8°C). • Do not install if water pressure exceeds 120 psi (827 kPa). If your water pressure exceeds 80 psi (552 kPa), you must install a pressure limiting valve. Contact a plumbing professional if you are uncertain how to check your water pressure. • Do not install where water hammer conditions may occur. If water hammer conditions exist you must install a water hammer arrester. Contact a plumbing professional if you are uncertain how to check for this condition. • Where a backflow prevention device is installed on a water system, a device for controlling pressure due to thermal expansion must be installed. • Do not use a torch or other high temperature sources near system, cartridges, plastic fittings or plastic plumbing. • Do not install in direct sunlight or outdoors. • Do not install near water pipes which will be in path of a drilling tool when selecting the position to mount the bracket. • Mount system in such a position as to prevent it from being struck by other items used in the area of installation. • Ensure that the location and fasteners will support the weight of the system when installed and full of water. • Ensure all tubing and fittings are secure and free of leaks. • Do not install unit if collet is missing. Contact 800-558-5700 if collets are missing from any fittings. • Do not install using rigid piping. System intended for use with plastic water lines (such as PEX tubing, PE tubing, PP tubing).

INSINKERATOR IN-HOME LIMITED WARRANTY

This limited warranty is provided by InSinkErator®, a business unit of Emerson Electric Co., (“InSinkErator” or “Manufacturer” or “we” or “our” or “us”) to the original consumer owner of the InSinkErator product with which this limited warranty is provided (the “InSinkErator Product”), and any subsequent owner of the residence in which the Product was originally installed (“Customer” or “you” or “your”).

InSinkErator warrants to Customer that your InSinkErator Product will be free from defects in materials and workmanship, subject to the exclusions described below, for a period of 1 year (the “Warranty Period”), commencing on the later of: (a) the date your InSinkErator Product is originally installed, (b) the date of purchase, or (c) the date of manufacture as identified by your InSinkErator Product serial number. You will be required to show written documentation supporting (a) or (b). If you are unable to provide documentation supporting either (a) or (b), the Warranty Period commencement date will be determined by Manufacturer, in its sole and absolute discretion, based upon your InSinkErator Product serial number.

Permitted Uses

You may use your InSinkErator Product hot or cold water tank and filter system in combination with any genuine InSinkErator Product dispenser and component parts and/or Authorized OEM Products. “Authorized OEM Products” mean those hot, cold or hot/cold water dispensers and component parts that have been manufactured by an authorized InSinkErator original equipment manufacturer (“Authorized OEM”) and which have documentation expressly stating that such Authorized OEM Products are compatible with the InSinkErator Product(s). Authorized OEMs may change from time to time. A list of Authorized OEMs is available to you upon request or at: www.insinkerator.com/oem. Use of your InSinkErator Product in combination with any products other than Authorized OEM Products will void this warranty.

What is Covered

This limited warranty covers defects in materials or workmanship, subject to the exclusions below, in InSinkErator Products used by a consumer Customer for residential use only, and includes all replacement parts and labor costs. **YOUR SOLE AND EXCLUSIVE REMEDY UNDER THIS LIMITED WARRANTY SHALL BE LIMITED TO REPAIR OR REPLACEMENT OF THE INSINKERATOR PRODUCT, PROVIDED, THAT IF WE DETERMINE IN OUR SOLE DISCRETION THAT NEITHER REMEDY IS PRACTICABLE, WE MAY PROVIDE YOU WITH A REFUND OF YOUR PURCHASE PRICE OR A CREDIT TOWARDS ANOTHER INSINKERATOR PRODUCT.**

What is not Covered

This limited warranty does not extend to and expressly excludes:

- Losses or damages or the inability to operate your InSinkErator Product resulting from conditions beyond the Manufacturer’s control including, without limitation, accident, alteration, misuse, abuse, neglect, negligence (other than Manufacturer’s), failure to install, maintain, assemble, or mount the InSinkErator Product in accordance with Manufacturer’s instructions or local electrical and plumbing codes.
- Wear and tear expected to occur during the normal course of use, including without limitation, cosmetic rust, scratches, dents or comparable and reasonably expected losses or damages.
- Losses or damages caused by any product or component part used with the InSinkErator Products, including both Authorized OEM Products and other products and components.

In addition to the above exclusions, this limited warranty does not apply to InSinkErator Products installed in a commercial or industrial application.

No Other Express Warranty Applies

This limited warranty is the sole and exclusive warranty provided to the Customer identified above. No other express warranty, written or verbal, applies. No employee, agent, dealer, or other person is authorized to alter this limited warranty or make any other warranty on behalf of Manufacturer. The terms of this limited warranty shall not be modified by the Manufacturer, the original owner, or their respective successors or assigns.

What we will do to Correct Problems

If your InSinkErator Product does not operate in accordance with the documentation provided to you, or you have questions concerning your InSinkErator Product or how to determine when service is needed, please call the toll free InSinkErator AnswerLine at 1 (800) 558-5700, or visit our website at www.insinkerator.com. You may also notify us at: InSinkErator Service Center, 4700 21st Street, Racine, Wisconsin 53406 USA.

The following information must be provided as part of your warranty claim: your name, address, phone number, your InSinkErator Product model and serial number, and if necessary, upon request, written confirmation of either: (a) the date shown on your installation receipt, or (b) the date shown on your purchase receipt.

Manufacturer or its authorized service representative will determine, in its sole and absolute discretion, if your InSinkErator Product is covered under this limited warranty. You will be given the contact information for your closest authorized InSinkErator Service Center. Please contact your InSinkErator Service Center directly to receive in home warranty repair or replacement service. Only an authorized InSinkErator service representative may provide warranty service. InSinkErator is not responsible for warranty claims arising from work performed on your InSinkErator Product by anyone other than an authorized InSinkErator service representative.

If a covered claim is made during the Warranty Period, Manufacturer will, through its authorized service representative, either repair or replace your InSinkErator Product. Cost of replacement parts or a new InSinkErator Product, and cost of labor for repair or installation of the replacement InSinkErator Product are provided at no cost to you. Repair or replacement shall be determined by Manufacturer or its authorized service representative in their sole discretion. All repair and replacement services will be provided to you at your home.

If Manufacturer determines that your InSinkErator Product must be replaced rather than repaired, the limited warranty on the replacement InSinkErator Product will be limited to the unexpired term remaining in the original Warranty Period.

This InSinkErator Product is covered by Manufacturer’s limited warranty. This limited warranty is void if you attempt to repair the InSinkErator Product. For service information, please visit www.insinkerator.com or call, toll free, 1-800-558-5700.

Limitation of Liability

TO THE EXTENT PERMITTED BY LAW, IN NO EVENT SHALL MANUFACTURER OR ITS AUTHORIZED SERVICE REPRESENTATIVES BE LIABLE FOR ANY INCIDENTAL, SPECIAL, INDIRECT, OR CONSEQUENTIAL DAMAGES, INCLUDING ANY ECONOMIC LOSS, WHETHER RESULTING FROM NONPERFORMANCE, USE, MISUSE OR INABILITY TO USE THE INSINKERATOR PRODUCT OR THE MANUFACTURER’S OR ITS AUTHORIZED SERVICE REPRESENTATIVE’S NEGLIGENCE. MANUFACTURER SHALL NOT BE LIABLE FOR DAMAGES CAUSED BY DELAY IN PERFORMANCE AND IN NO EVENT, REGARDLESS OF THE FORM OF THE CLAIM OR CAUSE OF ACTION (WHETHER BASED IN CONTRACT, INFRINGEMENT, NEGLIGENCE, STRICT LIABILITY, OTHER SORT OR OTHERWISE), SHALL MANUFACTURER’S LIABILITY TO YOU EXCEED THE PRICE PAID BY THE ORIGINAL OWNER FOR THE INSINKERATOR PRODUCT.

The term “consequential damages” shall include, but not be limited to, loss of anticipated profits, business interruption, loss of use or revenue, cost of capital or loss or damage to property or equipment.

Some states do not allow the exclusion or limitation of incidental or consequential damages, so the above limitation may not apply to you. This limited warranty gives you specific legal rights and you may also have other rights which vary from state to state.

InSinkErator® may make improvements and/or changes in the specifications at any time, in its sole discretion, without notice or obligation and further reserves the right to change or discontinue models.

in sink erator®

Sistema de filtración de agua CALIENTE

Instrucciones de instalación



INTRODUCCIÓN

Lea, comprenda y siga toda la información de seguridad contenida en estas instrucciones antes de instalar y usar el Sistema de Filtración del Surtidor de Agua Caliente al Instante InSinkEerator®. Conserve estas instrucciones para consultas futuras.

Los sistemas de filtración InSinkEerator para dispensadores de agua caliente instantánea ofrecen dos niveles de filtración, dependiendo del filtro que se utilice: **F-1000S** sirve para filtrar material particulado, y el sabor y olor a cloro del agua potable, y no se han evaluado otros usos; **F-2000S** reduce el material particulado, el sabor y olor a cloro, así como quistes bacterianos, plomo, mercurio, asbestos, benceno, atrazina, 2,4-D, lindano, carbofurano y p-diclorobenceno. Por lo general, el sistema se instala (cerca o debajo de un fregadero) donde se desee obtener agua potable filtrada y se debe instalar, operar y mantener de acuerdo las instrucciones de instalación y uso.

⚠ ADVERTENCIA

Una situación potencialmente peligrosa que, si no se evita, puede ocasionar lesiones graves o incluso la muerte.

⚠ PRECAUCIÓN

Precaución, empleado junto con el símbolo de alerta, indica una situación riesgosa, la cual, si no se evita, puede provocar heridas leves o moderadas.

AVISO

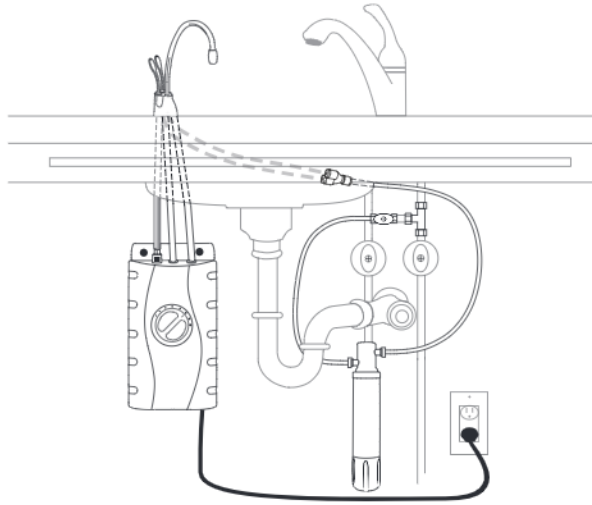
Aviso hace referencia a prácticas que no presentan riesgos de generar lesiones personales.

CONTENIDO DE ESTE PAQUETE



- (A) Cabeza del filtro y soporte
- (B) Cartucho de filtro F-1000/F-2000
- (C) Dos tubos blancos de polietileno
- (D) Conector rápido en forma de Y
- (E) Casquillo
- (F) Inserto para tubo
- (G) Tuerca de latón

VISTA GENERAL DE LA INSTALACIÓN TERMINADA



ADVERTENCIA Para reducir el riesgo de asfixia: No permita que los niños menores de 3 años accedan a piezas pequeñas durante la instalación de este producto.

ADVERTENCIA Para reducir el riesgo de ingestión de contaminantes, no use con agua que sea microbiológicamente insegura o de calidad desconocida, sin desinfección adecuada antes o después del sistema.

AVISO

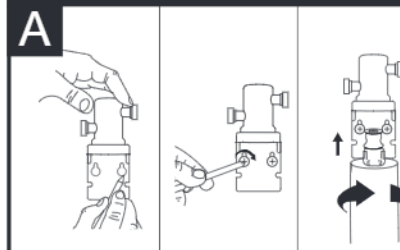
Para reducir el riesgo relacionado con daños materiales por fugas y desbordes de agua y para garantizar un funcionamiento óptimo del filtro:

- Lea y siga las Instrucciones de uso que vienen con el sistema original antes de instalar y utilizar este producto.
- Cambie el cartucho desechable del filtro cada seis meses o antes si observa una reducción evidente del caudal de flujo. Si no se reemplaza el cartucho desechable según la frecuencia recomendada, se podrá ver reducido el funcionamiento de filtro y podrán producirse grietas en la caja del filtro, lo que causará fugas y desbordes de agua.
- En los sistemas que utilizan grifos modelo HC de dos manijas, opere solo una manija a la vez.

Cierre el suministro de agua antes de empezar.

La instalación debe cumplir con las leyes y reglamentos estatales y locales.

1 INSTALACIÓN DEL SISTEMA DE FILTRACIÓN

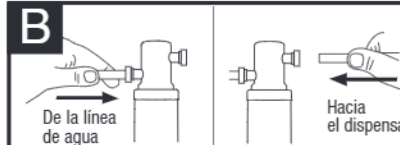


Los tornillos incluidos sólo deben usarse en montantes de madera o gabinetes. Para instalarse en paneles de yeso utilice tarugos (no incluidos).

- Separe el cartucho de la cabeza del filtro.
- Marque la ubicación de los orificios para la cabeza y el soporte en un lugar que permita cambiar el filtro.
- Haga orificios guía de 1/8" (0.3 cm), fije el soporte en la pared con tornillos de madera y gire éstos hasta que queden apretados.
- Introduzca el nuevo cartucho en la cabeza del filtro. La superficie superior del cartucho quedará rasante con el fondo de la cabeza del filtro cuando esté completamente encajado.

ADVERTENCIA

Lesiones personales: No coloque el filtro por encima de una toma eléctrica o de otro aparato. Instale la cabeza y el soporte de tal forma que no sea necesario estirar, torcer o estirar la tubería.

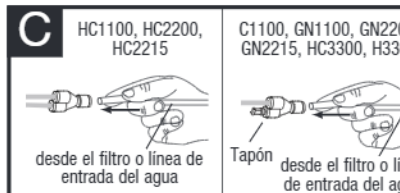


- Determine la longitud requerida del tubo y corte el tubo en forma perpendicular y sin dejar rebabas.
- Inserte un tubo **blanco** de 1/4" (0.6 cm) en el lado de entrada de la cabeza del filtro hasta que tope. **Oprima una vez más para asegurar una conexión correcta.**

AVISO

Daños materiales: Los tramos de tubo necesitan tener el mismo contorno del gabinete para dejar espacio de almacenamiento sin curvas pronunciadas. Los cortes de los tubos deben ser limpios, perpendiculares y no tener rebabas para garantizar una conexión correcta.

- Inserte el otro tubo **blanco** de 1/4" (0.6 cm) en el lado de salida de la cabeza del filtro hasta que tope. **Oprima una vez más para asegurar una conexión correcta.**



- Inserte el (los) tubo(s) de cobre del dispensador en el conector rápido en "Y" y utilice el tapón para los modelos que solo suministran agua caliente.
- Conecte el tubo **blanco** de 1/4" (0.6 cm) de la salida del lado derecho en la cabeza del filtro en el conector rápido hasta que tope. **Oprima una vez más para asegurar una conexión correcta.**

AVISO

Daños materiales: no estire las líneas más de las 16" (40 cm) proporcionadas. Verifique que el (los) tubo(s) y el conector en "Y" estén bien ajustados.

Para quitar el tubo de cada conector rápido, oprima el anillo de liberación y saque el tubo con cuidado.

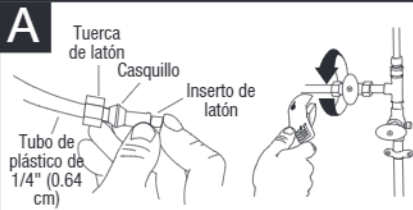


- Conecte el tubo restante **blanco** de 1/4" (0.6 cm) a la línea de suministro de agua de entrada.

La descarga de agua de aproximadamente 2 oz. (60 ml) es normal, cuando el filtro es retirado.

2

CONEXIÓN FINAL DEL AGUA



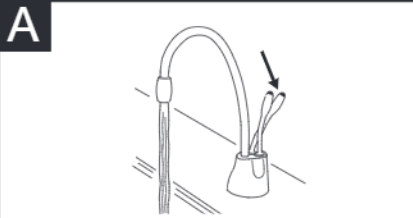
- Instale una "T" (*no incluido*) en la línea de agua fría.
- Instale la válvula de control de agua dedicada con el accesorio de compresión de 1/4" (0.64 cm).
- En el extremo del tubo **blanco** de 1/4" (0.64 cm) que sale del conector rápido, deslice la tuerca de latón y el casquillo y luego coloque el inserto para tubo.
- Inserte el tubo **blanco** de 1/4" (0.64 cm) en la conexión de compresión de 1/4" (0.64 cm) y apriete.

AVISO

Daños materiales: Conecte el tubo restante al agua fría de entrada solamente.

3

ABRA LA LLAVE DEL AGUA Y CONECTE LA CORRIENTE



- Abra el suministro de agua.
- Oprima la manija **HOT (CALIENTE)** del dispensador hasta que salga el agua por el grifo (aproximadamente 1 a 2 minutos).
- Para los modelos F-1000S y F-1000, haga correr 2.25 galones por el filtro antes de utilizarlos (durante aproximadamente 3 minutos). Para los modelos F-2000S and F-2000, haga correr 3 galones por el filtro antes de utilizarlos (durante aproximadamente 4 minutos).
- Revise todas las conexiones para asegurarse de que estén apretadas y que no presenten fugas.

ADVERTENCIA

Riesgo de quemadura: La llave suministra agua casi en ebullición (212°F (100°C)) la cual puede producir quemaduras instantáneas. Tenga cuidado cuando opere este equipo.

Especificaciones del filtro de reducción química y mecánica F-1000:

(Use el cartucho de sustitución F-1000) Este cartucho proporciona reducción química y mecánica del sabor y olor a cloro y de material particulado de clase III.



Probado y certificado por NSF International en relación con la norma 42 de NSF/ANSI solamente en los siguientes sistemas InSinkErator: GN1100, HC1100, GN2200, HC2200, GN2215, HC2215, H3300 o HC3300 para la reducción de las afirmaciones que se indican en la ficha de datos de funcionamiento. En los sistemas que utilizan grifos modelo HC de dos manijas, opere solo una manija a la vez.

Presión: 30-120 (207-827 kPa) psi
Temperatura: 33°F - 100°F
Caudal: 0.75 gpm
Capacidad: 500 gallons

Capacidad del filtro: 500 galones, dependiendo de las condiciones locales del agua. Tenga en cuenta que las pruebas se efectuaron en condiciones estándar de laboratorio; el rendimiento real puede variar. No emplee el producto con agua que no sea segura microbiológicamente o cuya calidad se desconozca sin una desinfección adecuada anterior o posterior al sistema. Sólo debe utilizarse con agua fría. Los sistemas deben instalarse y utilizarse según los procedimientos y pautas recomendados por el fabricante. Para la garantía, consulte la tarjeta de garantía. Para reparaciones y piezas, comuníquese con su distribuidor local o directamente con InSinkErator® al 1-800-558-5700.

Reducción de contaminantes	Flujo entrante promedio	Concentración Del Desafío Del Influent. Excepto según lo observado, las unidades se aplican a cada fila.	Agua promedio del producto	Reducción media	Requisitos de la reducción del NSF	Prueba NSF
Sabor y olor a cloro	2.1 mg/L	2.0 mg/L ± 10%	0.06 mg/L	97.0%	≥ 50%	J-00082587
Material particulado nominal clase III, > 5 µm a <15 µm	270,000 pts/mL	Al menos 10,000 partículas/mL	82 pts/mL	99.9%	≥85%	J-00119308

Pautas de aplicación y parámetros del suministro de agua para las pruebas NSF: Caudal de servicio de 0.75 gpm, suministro de agua comunitario o de pozo privado, presión del agua entre 20 y 120 psi (138-827 kPa), temperatura del agua entre 33°F y 100°F. Excepto donde se indique lo contrario, todas las pruebas se efectuaron con pH = 7.5 ± 0.5, Caudal: 0.75 gpm, Presión: 60 psi, Temp: 20° ± 3°C.

Consulte la ficha de datos de funcionamiento del sistema de filtro modelo F-2000S de InSinkErator. Cartucho de repuesto: F-2000

Comuníquese con un agente de Servicio InSinkErator autorizado para reparar o reemplazar los componentes. Filtros de repuesto Puede solicitar los modelos F-1000 y F-2000 llamando al 800-558-5700, ingresando a shop.insinkerator.com, o contactando uno de los distribuidores autorizados de InSinkErator.

INFORMACIÓN IMPORTANTE PARA SU SEGURIDAD

ADVERTENCIA

Para reducir el riesgo de ingestión de contaminantes: No use con agua que sea microbiológicamente insegura o de calidad desconocida, sin desinfección adecuada antes o después del sistema.

ADVERTENCIA

Para reducir el riesgo de tensión peligrosa debido a que el instalador perforó el cableado eléctrico o las tuberías de agua en el área de la instalación: No realice la instalación cerca de cableado eléctrico o de tubería que pueda estar en la trayectoria del taladro cuando seleccione la ubicación de montaje del soporte del sistema.

PRECAUCIÓN

- Para reducir el riesgo de daños materiales debido a fugas o desbordos de agua:
- Lea y siga las Instrucciones de uso antes de instalar y utilizar este sistema.
 - La instalación y el uso DEBEN cumplir con todos los códigos estatales y locales de plomería.
 - Proteja el filtro del congelamiento; retire el cartucho del filtro cuando se prevea que las temperaturas pueden descender por debajo de los 40°F (4.4° C).
 - No instale el sistema en áreas donde la temperatura ambiente pueda superar los 100°F (37.8°C).
 - No instale el sistema en líneas de suministro de agua caliente. La temperatura máxima del agua de operación de este sistema es de 100°F (37.8°C).
 - No instale el sistema si la presión del agua supera los 120 psi (827 kPa). Si la presión del agua supera los 80 psi (552 kPa), debe instalar una válvula reductora de presión. Comuníquese con un plomero profesional si no está seguro sobre cómo revisar la presión del agua.
 - No instale en lugares donde se puedan presentar condiciones de golpe de ariete. Si se dan estas condiciones, debe instalar un protector para golpe de ariete. Comuníquese con un plomero profesional si no está seguro sobre cómo verificar esta condición.
 - Donde se instale un dispositivo de prevención del contraflujo en un sistema de agua, también se debe instalar un dispositivo para el control de la presión debido a la dilatación térmica.
 - No utilice antorchas ni otras fuentes de temperatura elevada cerca del sistema, los cartuchos, los acoples plásticos o la tubería plástica.
 - No realice la instalación en la luz directa del sol o en exteriores.
 - No realice la instalación cerca de tuberías de agua que estén en la trayectoria del taladro cuando seleccione la ubicación de montaje del soporte.
 - Instale el sistema en un lugar donde se evite que sea golpeado por otros objetos utilizados en el área de instalación.
 - Cerciórese de que el lugar y los sujetadores soporten el peso del sistema cuando esté instalado y lleno de agua.
 - Asegúrese de que toda la tubería y los acoples estén sujetos con firmeza y que no tengan fugas.
 - No instale la unidad si falta el collar. Llame al 800-558-5700 si faltan los collares de cualquiera de los acoples.
 - No realice la instalación con tubería rígida. El sistema es para utilizarlo con líneas plásticas de agua (como tubería PEX, PE, PP).

GARANTÍA LIMITADA DE SERVICIO EN EL HOGAR DE INSINKERATOR

InSinkErator® una unidad comercial de Emerson Electric Co., ("InSinkErator", "el Fabricante", "nosotros", "nuestro" o "nos") otorga esta garantía limitada al consumidor propietario original del producto de InSinkErator por el cual se extiende esta garantía limitada (el "Producto de InSinkErator"), o a cualquier otro propietario posterior del lugar donde se instaló originalmente el Producto ("Cliente", "usted" o "su").

InSinkErator le garantiza al Cliente que su Producto InSinkErator no tendrá defectos en el material o la mano de obra, sujetos a las exclusiones descritas a continuación, durante un período de un año (el "**Período de Garantía**"), que comienza luego de: (a) la fecha en la que se instaló originalmente su Producto InSinkErator, (b) la fecha de compra o (c) la fecha de fabricación indicada por el número de serie de su Producto InSinkErator. Deberá presentar la documentación escrita correspondiente para justificar (a) o (b). En caso de que no pueda presentar la documentación para justificar (a) o (b), la fecha de inicio del Período de Garantía quedará a consideración del Fabricante, bajo su único y absoluto criterio, basado en el número de serie del Producto InSinkErator.

Usos permitidos

Usted puede utilizar el sistema de filtro y tanque de agua caliente o fría de su Producto de InSinkErator en combinación con cualquier dispensador original de InSinkErator y los componentes y/o Productos del OEM Autorizado. "Productos del OEM Autorizado" son aquellos dispensadores de agua caliente, fría o caliente/fría y componentes que hayan sido fabricados por un fabricante autorizado de equipos originales de InSinkErator ("OEM Autorizado") y que tengan documentación donde se declare expresamente que dichos Productos del OEM Autorizado son compatibles con el (los) Producto(s) de InSinkErator. Los OEM Autorizados pueden cambiar de vez en cuando. Una lista de los OEM Autorizados está disponible para usted a petición o en: www.insinkerator.com/oem. El uso de su Producto de InSinkErator en combinación con cualquier otro producto que no sean los Productos del OEM Autorizado anulará esta garantía.

Qué cubre la garantía

Esta garantía limitada cubre defectos en los materiales y en la mano de obra, sujeto a las excepciones detalladas a continuación, en Productos de InSinkErator utilizados por un Cliente consumidor solo para uso doméstico, e incluye el costo de todos los repuestos y servicios de mano de obra. **SU ÚNICO Y EXCLUSIVO RECURSO SEGUN LOS TERMINOS DE ESTA GARANTIA LIMITADA SERA LA REPARACION O EL REEMPLAZO DEL PRODUCTO INSINKERATOR, SIN EMBARGO, SI DETERMINAMOS BAJO NUESTRO EXCLUSIVO CRITERIO QUE NINGUNO DE ESTOS DOS RECURSOS ES VIABLE, PODREMOS REEMBOLSARLE EL PRECIO DE SU COMPRA O PROPORCIONARLE UN CREDITO PARA OTRO PRODUCTO INSINKERATOR.**

Qué no cubre la garantía

Esta garantía limitada no se extiende y excluye expresamente lo siguiente:

- Pérdidas, daños o incapacidad de operar el Producto InSinkErator, como resultado de circunstancias fuera del control del Fabricante, sin limitaciones, tales como: accidente, alteración, mal uso, abuso, abandono, negligencia (de otra persona que no sea el Fabricante), instalación, mantenimiento, ensamblaje o montaje inadecuados del Producto InSinkErator que no respeten las instrucciones del Fabricante o los códigos eléctricos y/o de plomería locales.
- Desgaste como resultado del uso normal del producto, lo que incluye sin limitaciones, oxidación de la superficie, rayones, abolladuras o pérdidas o daños similares y razonables.
- Las pérdidas o los daños causados por cualquier producto o componente utilizado con los Productos de InSinkErator, incluidos tanto los Productos del OEM Autorizado como otros productos y componentes.

Además de las excepciones anteriores, esta garantía limitada no se aplica a Productos de InSinkErator instalados con fines comerciales o industriales.

No se aplica ninguna otra garantía expresa

Esta es la única y exclusiva garantía limitada que se le brinda al Cliente descrito anteriormente. No se aplica ninguna otra garantía expresa, oral o escrita. No se autoriza a ningún empleado, agente, distribuidor u otra persona alterar esta garantía limitada ni brindar cualquier otra garantía en nombre del Fabricante. El Fabricante, el propietario original o sus respectivos sucesores o cesionarios no deberán modificar las condiciones de esta garantía limitada.

Qué haremos para solucionar los problemas

Si su Producto InSinkErator no funciona de acuerdo con la documentación que usted recibió, o si tiene dudas acerca de su Producto InSinkErator o no sabe cómo determinar cuándo necesita servicio técnico, comuníquese con la línea de ayuda gratuita InSinkErator AnswerLine al 1 (800) 558-5700 o bien, visite nuestra página web en www.insinkerator.com. También puede escribirnos a: InSinkErator Service Center, 4700 21st Street, Racine, Wisconsin 53406 USA.

En el reclamo de garantía debe especificar la siguiente información: su nombre, dirección, número de teléfono, modelo y número de serie de su Producto InSinkErator y, si es necesario o si se lo solicitan, una confirmación por escrito de: (a) la fecha que figura en su recibo de instalación, o (b) la fecha que figura en su recibo de compra.

El fabricante o su representante de servicio autorizado determinarán, a su exclusivo y absoluto criterio, si esta garantía limitada cubre su Producto de InSinkErator. Se le proporcionará la información de contacto del Centro de Servicio Autorizado de InSinkErator más cercano. Comuníquese directamente con dicho centro para recibir servicios de reparación o reemplazo cubiertos por la garantía en su hogar. El representante de servicio autorizado de InSinkErator es el único capaz de brindarle el servicio de garantía. InSinkErator no se hace responsable por los reclamos de garantía que surjan como consecuencia de trabajos realizados en su Producto InSinkErator por cualquier otra persona que no sea el representante de servicio autorizado de InSinkErator.

Si un reclamo cubierto se realiza durante el Período de Garantía, el Fabricante reparará o reemplazará su Producto InSinkErator mediante su representante de servicio autorizado. Usted no deberá afrontar el costo de las piezas de repuesto o de un nuevo Producto InSinkErator, ni el costo de mano de obra para la reparación o instalación del Producto InSinkErator de reemplazo. El Fabricante o su representante de servicio autorizado, bajo su exclusivo criterio, determinarán si es necesaria la reparación o el reemplazo del producto. Recibirá todos los servicios de reparación o reemplazo en su hogar.

Si el Fabricante determina que se debe reemplazar su Producto de InSinkErator en vez de repararlo, la garantía limitada del Producto de InSinkErator de reemplazo se limitará al plazo vigente de la garantía original.

Este Producto de InSinkErator está cubierto por la garantía limitada del Fabricante. Esta garantía limitada es nula si usted intenta reparar el Producto de InSinkErator. Para obtener información sobre el servicio, visite www.insinkerator.com o llame a la línea gratuita 1-800-558-5700.

Limitación de responsabilidad

EN LA MEDIDA EN QUE LO PERMITA LA LEY, EL FABRICANTE O SUS REPRESENTANTES DE SERVICIO AUTORIZADOS NO SERÁN RESPONSABLES POR DAÑOS INCIDENTALES, ESPECIALES, INDIRECTOS O CONSECUENTES, TALES COMO DAÑOS PATRIMONIALES, YA SEA QUE SEAN CONSECUENCIA DEL INCUMPLIMIENTO, USO, MAL USO O INCAPACIDAD DE USAR EL PRODUCTO INSINKERATOR, O DE LA NEGLIGENCIA DEL FABRICANTE O SUS REPRESENTANTES DE SERVICIO AUTORIZADOS. EL FABRICANTE NO SERÁ RESPONSABLE POR LOS DAÑOS CAUSADOS POR EL RETRASO EN EL RENDIMIENTO Y EN NINGÚN CASO, SIN IMPORTAR EL TIPO DE RECLAMO O LAS MEDIDAS IMPLEMENTADAS (AUNQUE SE BASEN EN EL CONTRATO, UNA CONTRAVENCIÓN, LA NEGLIGENCIA, LA RESPONSABILIDAD ESTRICTA, OTRO AGRAVIO, ETC.), SU RESPONSABILIDAD EXCEDERÁ EL PRECIO QUE EL PROPIETARIO ORIGINAL HAYA PAGADO POR EL PRODUCTO INSINKERATOR.

El término "daños consecuentes" debe incluir, entre otros, la pérdida de ganancias anticipadas, la interrupción de los negocios, la falta de uso o ingresos, el costo del capital, o la pérdida o daño a la propiedad o al equipo.

Algunos estados prohíben la exclusión o limitación de los daños incidentales o consecuentes, de modo que estas limitaciones pueden no aplicarse en su caso. Esta garantía limitada le otorga derechos legales específicos y también puede tener otros derechos que varían según el estado.

InSinkErator® podrá hacer mejoras y/o cambios en las especificaciones en cualquier momento, a su discreción exclusiva, sin aviso ni obligación, y se reserve adicionalmente el derecho a cambiar o discontinuar los modelos.



in sink erator®

Système de
filtration d'eau
CHAUDE instantanée
Instructions d'installation

INTRODUCTION

Lisez, comprenez et suivez toute l'information de sécurité contenue dans ces instructions avant d'installer et d'utiliser le système de filtration d'eau chaude instantanée InSinkErator®. Conservez ces instructions pour les utiliser plus tard.

Le système de filtration pour distributeur d'eau chaude instantanée InSinkErator offre deux niveaux de filtration, selon le filtre utilisé : **F-1000S** est conçu pour filtrer les particules, le goût et l'odeur du chlore de l'eau potable et n'a pas été évalué pour d'autres usages; **F-2000S** réduit les particules, le goût et l'odeur du chlore, en plus des spores, du plomb, du mercure, de l'amiant, du benzène, de l'atrazine, du 2,4-D, du lindane, du carbofuran et du p-dichlorobenzène. Le système est habituellement installé (sous ou près d'un évier) où de l'eau potable filtrée est désirée et il doit être installé, utilisé et entretenu comme il est précisé dans les directives d'installation et d'utilisation.

▲ AVERTISSEMENT	Situation éventuellement dangereuse qui, si elle n'est pas évitée, peut entraîner des blessures graves, voire fatales.
------------------------	--

▲ MISE EN GARDE	Mise en garde utilisée avec le symbole d'alerte de sécurité signale une situation dangereuse qui, si elle n'est pas évitée, peut entraîner des blessures mineures ou modérées.
------------------------	--

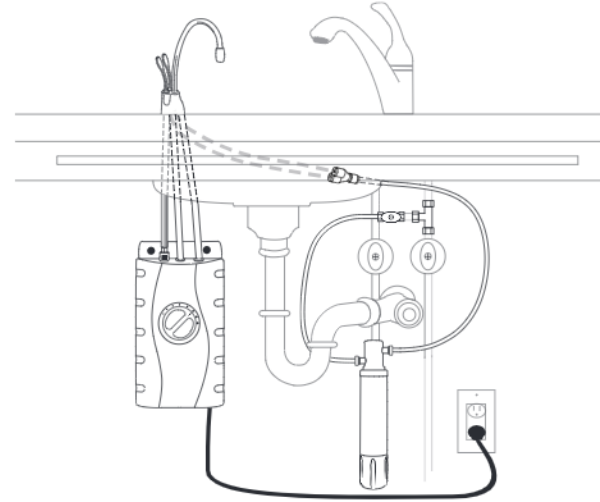
AVIS	Avis est utilisé pour décrire des pratiques qui ne sont pas liées à des blessures.
-------------	--

DANS CET EMBALLAGE



- (A) Tête et support de filtre
- (B) Cartouche de filtre F-1000/F-2000
- (C) Deux tubes en polyéthylène blanc
- (D) Connecteur rapide en Y
- (E) Virole
- (F) Insertion de tube
- (G) Écrou en laiton

VUE GÉNÉRALE D'UNE CONFIGURATION TERMINÉE



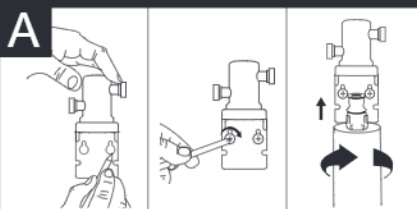
▲ AVERTISSEMENT	Pour réduire le risque associé à la suffocation : ne laissez pas les enfants de moins de trois ans avoir accès aux petite pièces durant l'installation de ce produit.
------------------------	---

▲ AVERTISSEMENT	Pour réduire le risque associé avec l'ingestion de contaminants, n'utilisez pas avec de l'eau qui est peu sûre microbiologiquement ou de qualité inconnue sans une désinfection adéquate avant ou après le système.
------------------------	---

AVIS	<p>Pour réduire le risque associé aux dommages matériels causés par des fuites d'eau ou une inondation, et pour assurer la performance optimale du filtre :</p> <ul style="list-style-type: none"> • Lisez et suivez les directives d'utilisation fournies avec le système original avant d'installer et d'utiliser ce produit. • Remplacez la cartouche de filtre jetable tous les six mois ou plus tôt si vous remarquez une diminution perceptible du débit. Le non-remplacement de la cartouche de filtre jetable au moment recommandé peut entraîner une performance réduite du filtre et des fissures dans le boîtier du filtre, causant ainsi des fuites d'eau ou une inondation. • Pour les systèmes utilisant des robinets de type HC (eau chaude/froide) à deux poignées, n'utilisez qu'une poignée à la fois.
-------------	---

Fermez l'approvisionnement en eau avant de commencer.
L'installation doit être conforme à tous les règlements et lois locaux et provinciaux.

1 INSTALLATION DU SYSTÈME DE FILTRATION

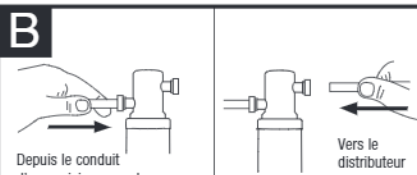


AVERTISSEMENT

Risque de blessure : ne placez pas le filtre au-dessus d'une prise de courant ou autre dispositif électrique. Installez la tête et le support de façon à ce que les raccordements ne nécessitent pas d'étirement, de tortillement ou de pincement du tube.

Les vis fournies doivent être utilisées seulement sur des montants ou des armoires en bois. Servez-vous d'ancrages muraux (non fournis) pour l'installation sur un mur sec.

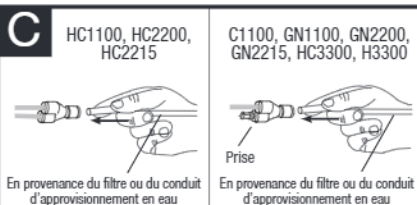
- Séparez la cartouche de la tête du filtre.
- Marquez les emplacements des trous pour la tête de filtre et le support à un endroit qui permet le remplacement du filtre.
- Percez des trous de départ de 1/8 po (0.3 cm) et fixez le support au mur à l'aide de vis à bois en les serrant bien.
- Insérez la nouvelle cartouche dans la tête du filtre. La surface supérieure de la cartouche arrivera au ras du fond de la tête du filtre lorsqu'elle est complètement enclenchée.



AVIS

Dommage matériel : le tube doit se conformer au contour de l'armoire pour permettre un espace de rangement sans courbures trop prononcées. Les tubes ont besoin de coupes propres, perpendiculaires et sans ébarbures pour assurer un bon ajustement.

- Déterminez la longueur du tube nécessaire, puis coupez à la longueur en vous assurant que la coupe est perpendiculaire et ne comporte pas d'ébarbures.
- Insérez un tube blanc 1/4 po (0.64 cm) dans le côté de l'entrée de la tête de filtre jusqu'à ce qu'il s'arrête. **Appuyez à nouveau pour assurer un ajustement précis.**
- Insérez l'autre tube blanc de 1/4 po (0.64 cm) dans le côté de sortie de la tête de filtre jusqu'à ce qu'il s'arrête. **Appuyez à nouveau pour assurer un ajustement précis.**

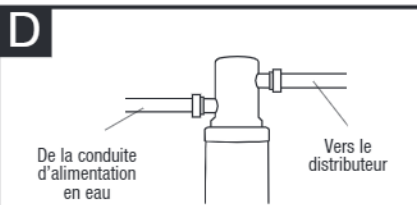


AVIS

Dommage matériel : n'étendez pas les conduits plus loin que les 16 po (40 cm) fournis. Assurez-vous que le(s) tube(s) et le connecteur en « Y » soient fixés solidement.

- Insérer le(s) tube(s) de cuivre du distributeur dans la connexion rapide en « Y » à l'aide du bouchon pour modèles à eau chaude seulement.
- Raccordez le tube blanc 1/4 po (0.64 cm) depuis la sortie de droite sur la tête de filtre dans le raccord de la connexion rapide jusqu'à ce qu'il s'arrête qu'il s'arrête. **Appuyez à nouveau sur le tube pour assurer un ajustement précis.**

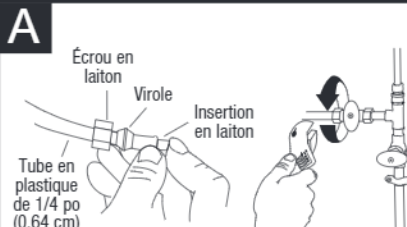
Pour enlever le(s) tube(s) de la connexion rapide, appuyez sur la bague de dégagement et tirez doucement le tube pour l'éloigner.



Une évacuation d'eau de 2 oz (60 ml) environ est normale lors du retrait du filtre.

- Raccordez le tuyau blanc restant de 1/4 po (0.64 cm) pour la conduite d'alimentation d'eau d'entrée.

2 CONNEXION FINALE DE L'EAU



AVIS

Dommage matériel : joignez le tube restant à l'approvisionnement d'eau froide seulement.

- Installez un raccord en T (*non compris*) dans le conduit d'approvisionnement d'eau froide.
- Installez la soupape de contrôle d'eau réservée avec le raccord à compression de 1/4 po (0.64 cm).
- À l'extrémité du tube blanc de 1/4 po (0.64 cm) venant du filtre ou de la connexion rapide, faites coulisser l'écrou en laiton et la virole fournis sur le tube et poussez l'insertion de tube en laiton.
- Insérez le tube blanc de 1/4 po (0.64 cm) dans le raccord à compression de 1/4 po (0.64 cm) et serrez.

3 FAITES COULER L'EAU ET RELIEZ L'ÉLECTRICITÉ



AVERTISSEMENT

Danger d'échaudage : le robinet donne de l'eau presque bouillante (212 °F (100 °C)) qui pourrait brûler ou échauder instantanément. Faites attention en utilisant cet appareil.

- Ouvrez l'alimentation en eau.
- Appuyez sur la poignée **HOT** du distributeur et maintenez-la jusqu'à ce que l'eau s'écoule par le bec (une à deux minutes environ).
- Pour les modèles F-1000S et F-1000, rincez 2,25 gallons (8,5 litres) à travers le filtre avant l'utilisation (pendant environ trois minutes). Pour les modèles F-2000S and F-2000, rincez 3 gallons (11,4 litres) à travers le filtre avant l'utilisation (pendant environ 4 minutes).
- Vérifiez tous les raccordements pour vous assurer qu'ils sont serrés et qu'il n'y a pas de fuite.

F-1000 Configuration du filtre à réduction chimique et mécanique:

(Utilisez la cartouche de recharge F-1000) Cette cartouche fournit une réduction mécanique et chimique du goût et de l'odeur du chlore et des particules de catégorie III.



Testée et certifiée par la NSF International en vertu de la norme 42 de la NSF/ANSI dans les systèmes InSinkErator suivants seulement : GN1100, HC1100, GN2200, HC2200, GN2215, HC2215, H3300 ou HC3300 pour la réduction de réclamations précisées sur la fiche signalétique de performance. Pour les systèmes utilisant des robinets de type HC (eau chaude/froide) à deux poignées, n'utilisez qu'une poignée à la fois.

Pression : 207 à 827 kPa (30 à 120 psi)
Température : 0,5 °C à 37,7 °C (33 °F à 100 °F)
Débit : 2,8 l/min (0,75 gal/min)
Capacité : 1890 litres (500 gallons)

Capacité du filtre : 1890 litres (500 gal), en fonction des conditions locales. Notez que les tests ont été effectués dans des conditions de laboratoire standards, les performances actuelles peuvent donc s'avérer différentes. N'utilisez pas l'appareil avec de l'eau n'étant pas sécuritaire d'un point de vue microbiologique, ou d'une qualité inconnue, sans désinfecter adéquatement le système en amont ou en aval. Pour une utilisation avec de l'eau froide uniquement. Les systèmes doivent être installés et doivent fonctionner en accord avec les procédures et les directives recommandées par le fabricant. Voir la carte de garantie pour les informations relatives à la garantie. Pour une réparation et pour obtenir des pièces de rechange, adressez-vous à votre revendeur local ou contactez directement InSinkErator® au 1-800-558-5700.

Réduction des contaminants dans l'eau	Influent moyen	Concentration De Défi D'Eau à traiter. Sauf mention contraire, les unités s'appliquent à chaque rangée.	Eau moyenne du produit	Réduction moyenne	Conditions de réduction de NSF	Test NSF
Goût et odeur du chlore	2.1 mg/L	2.0 mg/L ± 10%	0.06 mg/L	97.0%	≥ 50%	J-00082587
Particules nominales de catégorie III, de 5 µm à <15 µm	270,000 pts/mL	Au moins 10 000 particules/ml	82 pts/mL	99.9%	≥85%	J-00119308

Directives d'applications/Paramètres d'alimentation en eau pour tests NSF : Débit d'alimentation de 2,8 l/min (0,75 gal/min), alim partir d'un forage privé ou public, pression d'eau de 138 à 827 kPa (20 à 120 psi), température de l'eau de 0,5 °C à 37,7 °C (33 moins d'indication contraire, tous les tests sont effectués à un pH de 7,5 ± 0,5, Débit : 2,8 l/min (0,75 gal/min) Pression : 413 kPa Température : 20 °C ± 3 °C.

Reportez-vous à la fiche signalétique de performance pour la cartouche de recharge du système de filtration InSinkErator modèle F-2000S : F-2000

Communiquez avec un agent de service pour toute réparation ou obtenir des pièces de rechange. Filtrés de rechange Les cartouches F-1000 et F-2000 peuvent être commandées en composant le 800-558-5700, en visitant shop.insinkerator.com ou en communiquant avec un revendeur InSinkErator autorisé.

RENSEIGNEMENTS IMPORTANTS SUR LA SÉCURITÉ

▲ AVERTISSEMENT	Pour réduire le risque associé à l'ingestion de contaminants : n'utilisez pas avec de l'eau qui est peu sûre microbiologiquement ou de qualité inconnue sans une désinfection adéquate avant ou après le système.
▲ AVERTISSEMENT	Pour réduire le risque associé à une tension dangereuse causée par le perçage par l'installateur dans des fils électriques existants ou des conduites d'eau dans la zone d'installation : n'installez pas près de fils électriques ou de conduites qui peuvent être dans la voie d'un outil de perçage lors de la sélection de l'emplacement de montage du support du système.
▲ MISE EN GARDE	<p>Pour réduire le risque associé aux dommages matériels causés par des fuites d'eau ou une inondation :</p> <ul style="list-style-type: none"> • Lisez et suivez les directives d'utilisation avant d'installer et d'utiliser ce système. • L'installation et l'utilisation DOIT se conformer à tous les codes de plomberie locaux et provinciaux. • Protégez du gel; retirez la cartouche du filtre lorsque les températures doivent descendre au-delà de 4,4 °C (40 °F). • N'installez pas les systèmes dans les zones où les températures ambiantes peuvent monter au-delà de 37,8°C (100°F). • N'installez pas sur des conduites d'alimentation d'eau chaude. La température maximale de l'eau de fonctionnement de ce système est de 37,8 °C (100 °F). • N'installez pas si la pression d'eau excède 827 kPa (120 lb/po²). Si la pression de votre eau dépasse 552 kPa (80 lb/po²), vous devez installer une soupape de limite de pression. Communiquez avec un plombier professionnel si vous ne savez pas comment vérifier la pression de votre eau. • N'installez pas là où des coups de bélier peuvent se produire. En cas de présence de coups de bélier, vous devez installer un antibélier. Communiquez avec un plombier professionnel si vous ne savez pas comment vérifier la présence de cet état. • Si un dispositif d'antirefoulement est installé sur un système d'eau, un dispositif pour contrôler la pression causée par une expansion thermique doit être installé. • N'utilisez pas un chalumeau ou d'autres sources de température élevée près du système, des cartouches, des raccords en plastique ou de la plomberie en plastique. • N'installez pas directement sous la lumière du soleil ou à l'extérieur. • N'installez pas près de conduites d'eau qui peuvent être dans la voie d'un outil de perçage lors de la sélection de l'emplacement de montage du support. • Installez le système de façon à éviter qu'il soit frappé par d'autres articles utilisés dans la zone d'installation. • Assurez-vous que l'emplacement et les attaches soutiendront le poids du système lorsqu'il est installé et rempli d'eau. • Assurez-vous que les tubes et les raccords sont solides et ne fuient pas. • N'installez pas l'unité si le collet est manquant. Composez le 800-558-5700 s'il manque des collets à des attaches. • N'installez pas au moyen de tuyauterie rigide. Le système est conçu pour être utilisé avec des conduites d'eau en plastique (comme tube PEX, tube PE, tube PP).

GARANTIE LIMITÉE À DOMICILE INSINKERATOR

Cette garantie limitée est fournie par InSinkErator®, une unité commerciale d'Emerson Electric Co., (« InSinkErator », « Fabricant », « nous » ou « notre ») au consommateur original propriétaire du produit InSinkErator avec lequel cette garantie est fournie (le « Produit InSinkErator ») et tout propriétaire subséquent de la résidence dans laquelle le Produit a originalement été installé (« Client », « vous » ou « votre »).

InSinkErator garantit au Client que votre Produit InSinkErator sera libre de défauts de matériaux et de main d'œuvre, sous réserve des exclusions décrites ci-dessous, pendant un an « **Période de garantie** », à compter de la date la plus récente entre : (a) la date d'installation originale de votre Produit InSinkErator, (b) la date d'achat ou (c) la date de fabrication identifiée par le numéro de série de votre Produit InSinkErator. Vous devrez présenter une documentation écrite prouvant (a) ou (b). Si vous ne pouvez pas fournir un document prouvant (a) ou (b), la date de début de la Période de garantie sera déterminée par le Fabricant, à son entière discrétion, selon le numéro de série du Produit InSinkErator.

Utilisations permises

Vous pouvez utiliser votre Produit InSinkErator, le réservoir d'eau chaude et le système de filtration en combinaison avec tout distributeur et composant InSinkErator et/ou des produits d'un fabricant autorisé. « Produits d'un fabricant autorisé » signifie ces distributeurs d'eau chaude, froide ou chaude/froide et composants qui ont été fabriqués par un fabricant d'équipement original autorisé par InSinkErator (« Fabricant autorisé ») et qui possède des documents indiquant expressément que ces produits du Fabricant autorisé sont compatibles au(x) Produit(s) InSinkErator. Les Fabricants autorisés peuvent varier de temps à autre. Une liste des Fabricants autorisés est offerte sur demande ou allez à www.insinkerator.com/oem. L'utilisation de votre Produit InSinkErator en combinaison avec tout produit autre que ceux provenant d'un Fabricant autorisé annulera cette garantie.

Ce qui est couvert

Cette garantie limitée couvre les défauts de matériaux ou de main d'œuvre, sous réserve des exclusions ci-dessous, dans les Produits InSinkErator utilisés par un Client consommateur en vertu d'un usage résidentiel seulement et comprend toutes les pièces de rechange et les frais de main d'œuvre. **VOUS SEUL ET EXCLUSIF REMÈDE EN VERTU DE CETTE GARANTIE LIMITÉE SE LIMITE À LA RÉPARATION OU AU REMPLACEMENT DU PRODUIT INSINKERATOR, ENTENDU QUE, SI NOUS DÉTERMINONS À NOTRE ENTIERE DISCRETION, QU'AUCUN REMÈDE N'EST POSSIBLE, NOUS POUVONS VOUS PROPOSER LE REMBOURSEMENT DE VOTRE PRIX D'ACHAT OU UN CRÉDIT POUR L'ACHAT D'UN AUTRE PRODUIT INSINKERATOR.**

Ce qui n'est pas couvert

Cette garantie limitée ne couvre pas et exclut expressément :

- Les pertes ou les dommages ou l'incapacité à utiliser votre Produit InSinkErator en raison de conditions indépendantes de la volonté du Fabricant, y compris sans en exclure d'autres, les accidents, les altérations, les mauvaises utilisations, les abus, la négligence (autre que celle du Fabricant), le défaut d'installer, de maintenir, d'assembler ou de monter le Produit InSinkErator conformément aux directives du Fabricant ou aux codes locaux de plomberie ou d'électricité.
- L'usage avant de produire durant le cours normal de l'utilisation, y compris sans en exclure d'autres, la rouille cosmétique, les égratignures, les bosselures ou les pertes ou dommages similaires et raisonnablement prévus.
- Les pertes ou les dommages causés par des produits ou des composants utilisés avec les Produits InSinkErator, y compris les produits des Fabricants autorisés et tous les autres produits et composants.

En plus des exclusions ci-dessus, cette garantie limitée ne s'applique pas aux Produits InSinkErator installés dans une application commerciale ou industrielle.

Aucune autre garantie expresse ne s'applique

Cette garantie limitée est la seule et unique garantie fournie au Client identifié ci-dessus. Aucune autre garantie expresse, écrite ou verbale ne s'applique. Aucun employé, agent, dépositaire ou autre personne ne sont autorisés à modifier cette garantie limitée ou à effectuer toute autre garantie au nom du Fabricant. Les conditions de cette garantie limitée ne seront pas modifiées par le Fabricant, le propriétaire original ou leurs successeurs ou ayants droit respectifs.

Si votre Produit InSinkErator ne fonctionne pas conformément à la documentation qui vous est fournie ou si vous avez des questions concernant votre Produit InSinkErator ou comment déterminer s'il doit être réparé, veuillez appeler sans frais la ligne d'assistance AnswerLine d'InSinkErator au 1 (800) 558-5700 ou visitez notre site Web à www.insinkerator.com. Vous pouvez aussi nous écrire à : Centre de service InSinkErator, 4700 21st Street, Racine, Wisconsin 53406 E.-U.

Les renseignements suivants doivent être fournis lors de votre réclamation au titre de la garantie : votre nom, adresse, numéro de téléphone, le numéro de série et modèle de votre Produit InSinkErator et si nécessaire, sur demande, une confirmation écrite de : (a) la date indiquée sur votre reçu d'installation ou (b) la date indiquée sur votre reçu d'achat.

Le Fabricant ou son représentant de service autorisé détermineront, à leur entière discrétion, si votre Produit InSinkErator est couvert en vertu de cette garantie limitée. On vous remettra les renseignements de contact de votre centre de service InSinkErator autorisé le plus proche. Veuillez communiquer avec votre centre de service InSinkErator directement pour obtenir une réparation de garantie à domicile ou un service de remplacement. Seul un représentant de service InSinkErator autorisé peut fournir le service de garantie. InSinkErator n'est pas responsable des réclamations de garantie découlant du travail effectué sur votre Produit InSinkErator par toute personne autre qu'un représentant de service InSinkErator autorisé.

Si une réclamation couverte est effectuée pendant la Période de garantie, le Fabricant, par l'entremise de son représentant de service autorisé, réparera ou remplacera votre Produit InSinkErator. Le coût des pièces de rechange ou d'un nouveau Produit InSinkErator et les frais de main d'œuvre pour la réparation ou l'installation du Produit InSinkErator de rechange sont offerts gratuitement. La réparation ou le remplacement seront déterminés par le Fabricant ou son représentant de service autorisé à leur entière discrétion. Tous les services de réparation et de remplacement seront effectués à votre domicile.

Si le Fabricant détermine que votre Produit InSinkErator doit être remplacé au lieu d'être réparé, la garantie limitée sur le Produit InSinkErator de rechange se limitera à la durée restante de la Période de garantie originale.

Ce produit InSinkErator est couvert par la garantie limitée du fabricant. Cette garantie limitée est nulle si vous tentez de réparer le Produit InSinkErator. Pour obtenir des renseignements sur le service, veuillez visiter www.insinkerator.com ou composez, sans frais, le 1-800-558-5700.

Limite de responsabilité

DANS LA MESURE PERMISE PAR LA LOI, LE FABRICANT OU SES REPRÉSENTANTS DE SERVICE AUTORISÉS NE SERONT DANS AUCUN CAS RESPONSABLES DES DOMMAGES CONSÉCUTIFS, SPÉCIAUX, INDIRECTS OU CORRÉLATIFS, Y COMPRIS LES PERTES ÉCONOMIQUES DÉCOULANT DE LA NON PERFORMANCE, DE L'UTILISATION, DE LA MAUVAISE UTILISATION OU DE L'INCAPACITÉ À UTILISER LE PRODUIT INSINKERATOR OU DE LA NÉGLIGENCE DU FABRICANT OU DU REPRÉSENTANT DE SERVICE AUTORISÉ. LE FABRICANT NE SERA PAS RESPONSABLE DES DOMMAGES CAUSÉS PAR UN DELAI DE PERFORMANCE ET LA RESPONSABILITÉ DU FABRICANT NE DÉPASSERA DANS AUCUN CAS, QUELLE QUE SOIT LA FORME DE LA RÉCLAMATION OU LA RAISON DE L'ACTION (FONDÉE SUR UN CONTRAT, UNE INFRACTION, LA NÉGLIGENCE, LA RESPONSABILITÉ STRICTE OU TOUT AUTRE TORT OU AUTREMENT), LE PRIX PAYÉ PAR LE PROPRIÉTAIRE ORIGINAL DU PRODUIT INSINKERATOR.

Le terme « dommages indirects » comprend, sans en exclure d'autres, la perte des profits anticipés, l'interruption commerciale, la perte d'utilisation ou de revenus, le coût du capital ou la perte ou les dommages aux biens ou à l'équipement.

Certaines provinces ne permettent pas l'exclusion ou la limite des dommages indirects ou corrélatifs, par conséquent, la limite ci-dessus peut ne pas s'appliquer à votre cas. Cette garantie limitée vous donne des droits légaux précis et vous pouvez aussi avoir d'autres droits qui peuvent varier d'une province à l'autre.

InSinkErator® se réserve le droit, à son entière discrétion, d'apporter en tout temps des améliorations ou des modifications aux spécifications sans préavis ou obligation de sa part, ou de modifier ou de supprimer des modèles.

