

SPECIFICATIONS

TANK LEVER HANDLE

Description

- Fits front mount tanks
- Fits 5/8" hole

Standards



- ADA Accessibility Guidelines for Buildings and Facilities - 309.4 Operation for Operable Parts

Warranty

Danze products are covered by a manufacturer's limited "lifetime" warranty for manufacturing defects.



D491025BN-Contemporary

Available Colors & Finish

- Brushed Nickel (BN)



D492040-Transitional

Available Colors & Finish

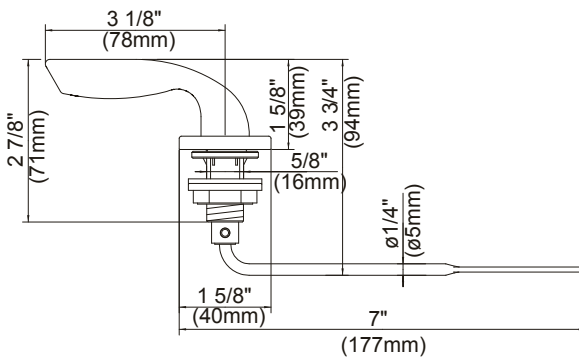
- Chrome
- Brushed Nickel (BN)
- Oil Rub Bronze (RB)



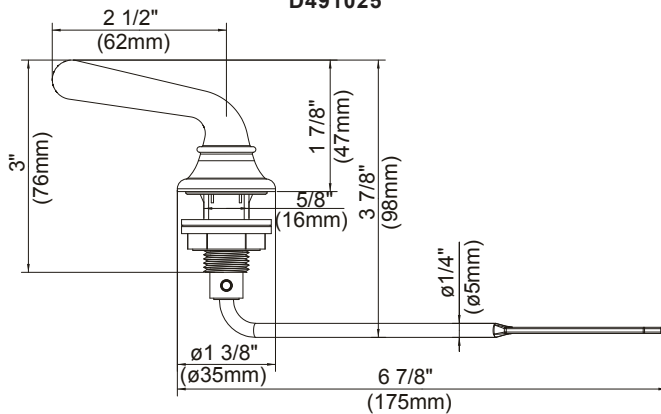
D492055-Opulence™/Sheridan™

Available Colors & Finish

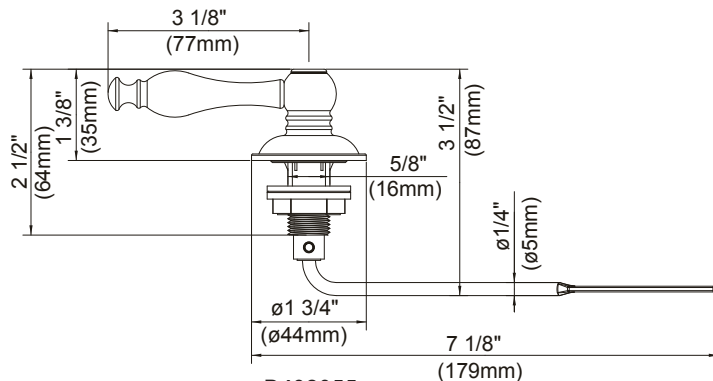
- Chrome
- Tumbled Bronze (BR)
- Brushed Nickel (BN)
- Satin Black (BS)
- Polished Brass (PBV)
- Oil Rub Bronze (RB)



D491025



D492040



D492055

Submittal Information:

Job Name: _____

Location: _____

Contractor: _____

Contact #: _____