

Features

- Freestanding design creates a striking focal point in your bathing area.
- Oval-shaped basin offers a graceful and spacious bathing experience.
- Sloped lumbar support on both ends.
- 16-inch bathing depth offers a deep soaking experience.
- Wide deck along one side simplifies installation and provides support for getting in and out of bath.
- Straight shroud.
- Textured bottom surface.
- Center drain.

Material

- Acrylic.

Installation

- Freestanding.

Recommended Products/Accessories

- K-7265 Brass toe tap bath drain
- K-37383 Rough-in cable bath drain, PVC, 30" cable with tubing
- K-37386 rough-in cable drain, PVC, 30" cable
- K-24916 Wireless Music Kit
- K-T37391 Rotary-turn bath drain trim
- K-T37392 Rotary-turn bath drain trim
- K-T37393 Rotary-turn bath drain trim
- K-T37394 Rotary-turn bath drain trim
- K-T37395 Bath drain trim
- K-T37396 Push-button bath drain trim
- K-T37397 Push-button bath drain trim
- K-23726 Drain treatment
- K-23732 Tub & shower cleaner



Codes/Standards



CSA B45.5/IAPMO Z124

KOHLER® Plastic Baths and Receptors Lifetime Limited Warranty

See website for detailed warranty information.

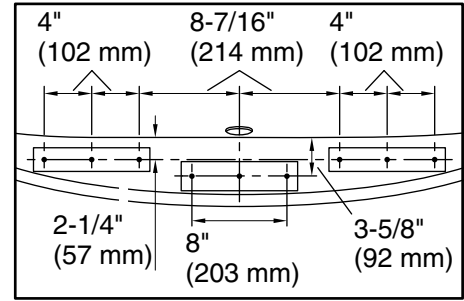
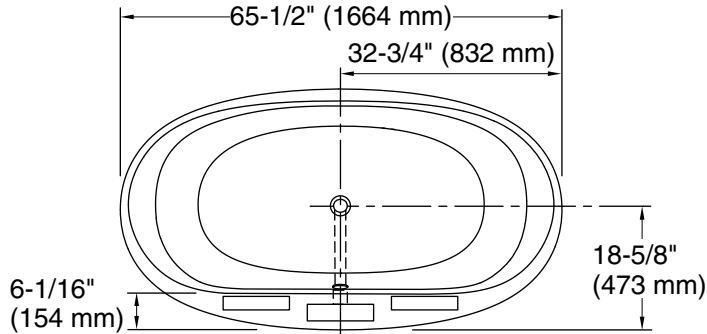
Available Colors/Finishes

Color tiles intended for reference only.

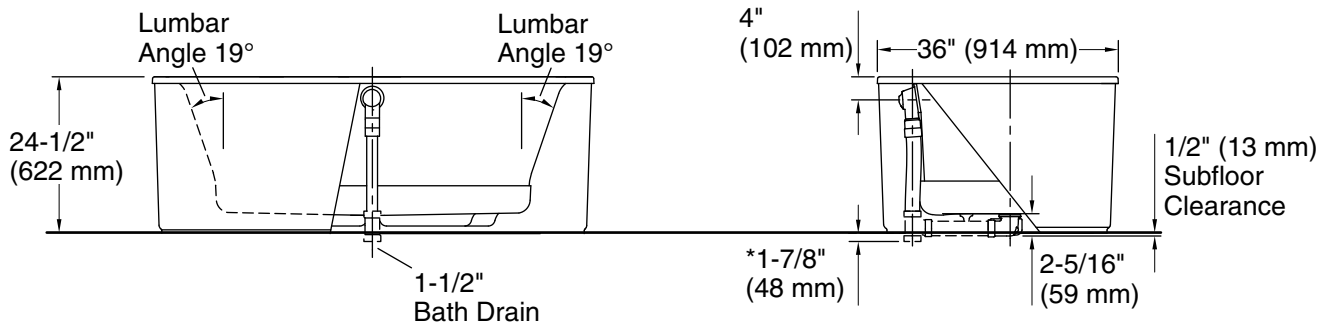
Color	Code	Description
	0	White
	96	Biscuit

No change in measurements if connected with drain illustrated. (K-37386)

□ Recommended Faucet Location



Recommended Faucet Hole Location



*Allow for appropriate clearance in subfloor for drain clearance.
Note: Horizontal PVC pipe and tee shown, not included.

Technical Information

All product dimensions are nominal.

Installation:	Freestanding
Drain location:	Center
Basin area, bottom:	45-3/4" x 24-7/8" (1162 mm x 632 mm)
Basin area, top:	54-7/8" x 29-3/16" (1394 mm x 741 mm)
Weight:	110 lbs (49.9 kg)
Minimum floor load:	40.4 lbs/ft ² (197.3 kg/m ²)
Water depth:	16" (406 mm)
Water capacity:	72.6 gal (274.8 L)
Template:	Footprint, 1245666, not required, not included

Notes

Measure your actual product for rough-in details. Install this product according to the installation instructions.

The hot water supply should be 70% of the capacity of the bath or greater. Installations will vary.

Do not support the load weight of the bath by the rim.

If installing a rim-mount faucet, make sure there is no interference above or below the deck before drilling any holes.