

Rev. 5-18 Shaded area indicates changes

Mueller ADJUSTA-COIL Meter Box ordering instructions

To order a Mueller ADJUSTA - COIL Meter Box, simply choose the options you require from the nine categories listed below and place the option code on the appropriate line of the catalog number shown below.

If the box you need is a tandem type, please fill out the tandem information box shown below the options listing and contact the factory for price and delivery information. Phone 1-800-423-1323 or fax 1-217-425-7537.

Catalog Number

(1) _____ (2) _____ (3) _____ (4) _____ (5) _____ (6) _____ (7) _____ (8) _____ (9) _____

Options

1 - Meter Size

NOTE: Meter is not furnished. Order meter separately.

Meter Size	Code Number
5/8"	200
5/8" x 3/4"	203
3/4"	250
1"	330

2 - Box Style

Box Style	Code Number
Single meter	AS
Double meter	AD
Tandem	AT

3 - Box Diameter

Box Diameter	Code Number
15" box is for use with: 5/8, 5/8 x 3/4 or 3/4 single meters 5/8, 5/8 x 3/4 or 3/4 tandems*	15
18" box is for use with: 1" single meters 1" tandems 5/8, 5/8 x 3/4 or 3/4 double meters	18

4 - Adjusta-coil Depth

Depth Range*	Code Number	Adjustment Range
36" Min to 42" Max	3642	6" (Below 48")
42" Min to 48" Max	4248	
48" Min to 60" Max	4860	
54" Min to 66" Max	5466	
60" Min to 72" Max	6072	
66" Min to 78" Max	6678	12" (48" & Above)
72" Min to 84" Max	7284	
78" Min to 90" Max	7890	
84" Min to 96" Max	8496	
90" Min to 102" Max	90102	
96" Min to 108" Max	96108	
102" Min to 114" Max	102114	
108" Min to 120" Max	108120	

*other depth ranges available

5 - Meter Inlet Type

Meter Inlet	Code Number
Meter coupling	A
Lockwing angle meter stop	L
Lockwing angle ball valve (full port)	F
Lockwing angle ball valve (reduced port)	R
Lockwing angle ball valve full port with 360° turn	X
Lockwing angle ball valve reduced port with 360° turn	T

6 - Meter Outlet Type

Meter Outlet	Code Number
Meter coupling	A
Dual check valve	B
A.S.S.E. Dual check valve	S
A.S.S.E. Top entry vertical check	V
Lockwing angle meter stop	L
Lockwing angle ball valve (full port)	F
Lockwing angle ball valve (reduced port)	R
Lockwing angle ball valve full port with 360° turn	X
Lockwing angle ball valve reduced port with 360° turn	T
A.S.S.E. top entry vertical check with sample port	H
Angle Ball Valve Full Port; Cap Without Lockwing	C

7 - Box Bottom Type

Bottom Type	Code Number
Attached bottom	A
Less bottom	B
Plastic bottom	P

8 - Type of Box Locking Device

(box is ordered with device to accept either a non-locking lid, center locking or side locking lid). Lids must be ordered separately.

Lock Type	Code Number
Non-locking	N
Center locking	L
Side locking	S

9 - No Lead Brass

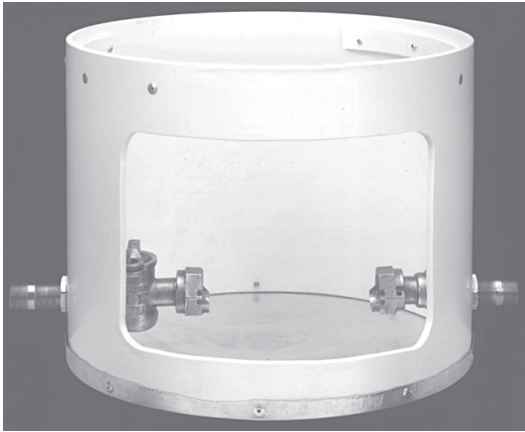
Code Number
N

Tandem box order information

Type of tandem device (regulator, backflow preventer, etc.) _____
 Size _____, lay length _____ and end connections (M.I.P., F.I.P., etc.) _____ of the tandem device
 Tandem device manufacturer's name _____ Tandem device model number _____

* NOTE: Tandem device is not included and must be purchased separately. ALSO, 3/4" tandems systems when used with certain regulators may need to be placed within a 18" box; list the regulator model when specifying this system. If an ASSE check valve or ball valve is being used in a 3/4" setting then an 18" meter box will be required.

Mueller Valves and Couplings used in these meter box assemblies are manufactured and tested in accordance with ANSI/AWWA C800. Components in contact with potable water will also comply with latest requirements of the Federal Safe Drinking Water Act.



Above box shown with optional aluminum bottom and is sectioned to illustrate internal valve and fitting.

The Mueller Inline EZ-SETTER Meter Box provides a means to quickly install a shallow set meter. The in-line EZ-SETTER comes pre-assembled, tested and ready to install. These meter boxes can also be ordered for double meter sets or tandem sets for meter and regulator or meter and backflow preventer.

The body of the meter box is made from rigid PVC which has a high insulating "R" value to resist "frost bridging" inside the box. For extremely cold climates, an optional insulating pad is available which traps the relatively warm air rising from the earth, to keep the meter set from freezing.

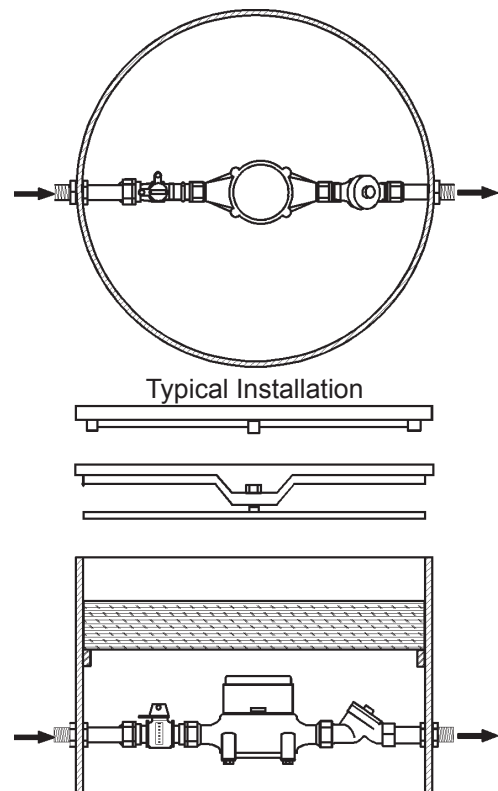
Mueller Inline EZ-SETTER Meter Boxes are shipped fully assembled, ready for meter installation. Their light weight saves shipping costs and makes installation a one man job in most cases. Every box is factory tested and has a 150 psig maximum working pressure rating.

The Mueller Inline EZ-SETTER Meter Box is available for 5/8" to 1" meters. A wide variety of end connections, control valves, box depths, lids and other options provide you with the meter set that you want. Due to the almost endless combination of features available, each box is custom built to your specifications. See page 8F.6 for ordering instructions.

Manufactured under one or more of the following: U.S. Patent No. 4,614,113; 4,813,281

Mueller Inline EZ-SETTER Meter Box Features

- Rigid .300 minimum wall PVC material holds shape and resists frost bridging
- Optional insulation pad traps earth's heat
- White interior aids visibility
- Meter set is anchored to meter box wall to maintain alignment and stability
- Male I.P. thread inlet and outlet connections accept a variety of MUELLER Service Fittings – see section 6
- Optional aluminum bottom available
- Large selection of optional lids



Rev. 10-18 Shaded area indicates changes

Mueller Inline EZ-SETTER Meter Box ordering instructions

To order a Mueller Inline EZ-SETTER Meter Box, simply choose the options you require from the nine categories listed below and place the option code on the appropriate line of the catalog number shown below.

Contact the factory for price and delivery information for double and tandem type boxes and other options not listed. Phone 1-800-423-1323 or fax 1-217-425-7537.

Catalog Number

(1) _____ (2) _____ (3) _____ (4) _____ (5) _____ (6) _____ (7) _____ (8) _____ (9) _____

Options

1 - Meter Size

NOTE: Meter is not furnished. Order meter separately.

Meter Size	Code Number
5/8"	200
5/8" x 3/4"	203
3/4"	250
1"	330

2 - Box Style

Box Style	Code Number
Single meter	IS
Double meter	ID

3 - Box Diameter

Box Diameter	Code Number
18" box with meter coupling outlet for use with: 5/8, 5/8 x 3/4 single meters 5/8, 5/8 x 3/4 double meters	18
18" box with lockwing meter valve or dual check valve outlet for use with: 1 single meters 5/8, 5/8 x 3/4 single meters 5/8, 5/8 x 3/4 double meters	18
21" box with lockwing meter valve or dual check valve outlet for use with: 5/8, 5/8 x 3/4 or 3/4 single meters 5/8, 5/8 x 3/4 or 3/4 double meters	21

4 - Box Depth

Depth	Code Number	Depth	Code Number
10"	10	15"	15
11"	11	16"	16
12"	12	17"	17
13"	13	18"	18
14"	14	-	-

5 - Meter Inlet Type

Meter Inlet	Code Number
Meter coupling	A
Lockwing meter stop	L
Lockwing ball valve (full port)	F
Lockwing ball valve (reduced port)	R
Lockwing ball valve full port with 360° turn	X
Lockwing ball valve reduced port with 360° turn	T

6 - Meter Outlet Type

Meter Outlet	Code Number
Meter coupling	A
Dual check valve	B
A.S.S.E. Dual check valve	S
Lockwing angle meter stop	L
Lockwing ball valve (full port)	F
Lockwing ball valve (reduced port)	R
Lockwing ball valve full port with 360° turn	X
Lockwing ball valve reduced port with 360° turn	T

7 - Box Bottom Type

Bottom Type	Code Number
Attached bottom	A
Less bottom	B
Plastic bottom	P

8 - Type of Box Locking Device

(box is ordered with device to accept either a non-locking lid, center locking or side locking lid). Lids must be ordered separately.

Lock Type	Code Number
Non-locking	N
Center locking	L
Side locking	S

9 - No Lead Brass

Code Number
N

* These meter outlet types may require using larger size box. Contact MUELLER Customer Service Center for more details.

Mueller Valves and Couplings used in these meter box assemblies are manufactured and tested in accordance with ANSI/AWWA C800. Components in contact with potable water will also comply with latest requirements of the Federal Safe Drinking Water Act.