

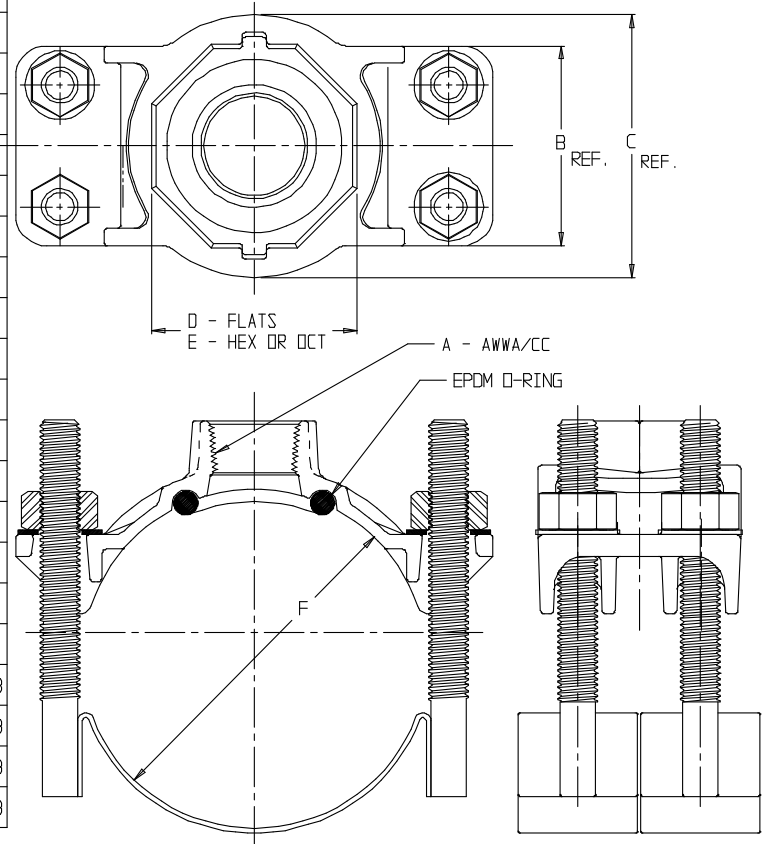
SUBMITTAL DATA SHEET



SS Strap Saddle - 3855

C900 PVC x AWWA/CC

MODEL	SIZE	A	B	C	D	E	F
3855	4 X 3/4	3/4	3.19	3.19	1.69	HEX	4.74 - 5.40
3855	4 X 1	1	3.19	3.19	1.69	HEX	4.74 - 5.40
3855	4 X 1 1/2	1 1/2	3.19	4.19	3.10	OCT	4.74 - 5.40
3855	4 X 2	2	3.19	4.19	3.45	OCT	4.74 - 5.40
3855	6 X 3/4	3/4	3.19	3.19	1.69	HEX	6.84 - 7.50
3855	6 X 1	1	3.19	3.19	1.69	HEX	6.84 - 7.50
3855	6 X 1 1/2	1 1/2	3.19	4.19	3.10	OCT	6.84 - 7.50
3855	6 X 2	2	3.19	4.19	3.45	OCT	6.84 - 7.50
3855	8 X 3/4	3/4	3.19	3.19	1.69	HEX	8.99 - 9.67
3855	8 X 1	1	3.19	3.19	1.69	HEX	8.99 - 9.67
3855	8 X 1 1/2	1 1/2	3.19	4.19	3.10	OCT	8.99 - 9.67
3855	8 X 2	2	3.19	4.19	3.45	OCT	8.99 - 9.67
3855	10 X 3/4	3/4	3.19	3.19	1.69	HEX	11.04 - 12.12
3855	10 X 1	1	3.19	3.19	1.69	HEX	11.04 - 12.12
3855	10 X 1 1/2	1 1/2	3.19	4.19	3.10	OCT	11.04 - 12.12
3855	10 X 2	2	3.19	4.19	3.45	OCT	11.04 - 12.12
3855	12 X 3/4	3/4	3.19	3.19	1.69	HEX	13.14 - 14.58
3855	12 X 1	1	3.19	3.19	1.69	HEX	13.14 - 14.58
3855	12 X 1 1/2	1 1/2	3.19	4.19	3.10	OCT	13.14 - 14.58
3855	12 X 2	2	3.19	4.19	3.45	OCT	13.14 - 14.58



** ALL STAINLESS STEEL STRAPS ARE 1.88" WIDE.
TWO STRAPS (WITH 2 STUDS WELDED ON) PER ASSEMBLY.

SUBMITTAL INFORMATION

- Manufactured in compliance with ANSI/AWWA C800 (latest revision)
- Brass components conform to ASTM B62 and ASTM B584, UNS C83600 -85-5-5-5 (latest revision)
- Certified to NSF/ANSI 61
- 304L Stainless Steel strap(s) and 5/8" studs. Stainless steel nuts (PTFE coated) and washers
- EPDM o-ring
- Pipe and tap size, and thread type identified on saddle
- Outlet boss with large wrench flats



A.Y. McDonald Mfg. CO.
P.O. Box 508
Dubuque, IA 52004-508

Toll Free: 1-800-292-2737
Fax: 1-800-832-9296
Hours: 7:00 a.m. - 5:00 p.m., CST

sales@aymcdonald.com
www.aymcdonald.com

A.Y. McDonald considers the information on this assembly drawing correct when published. Item and option availability, including specifications, are subject to change without notice.

Submitted by: