

SPECIFICATIONS

FIGURE X432

BRASS BODY BALL VALVE



LOW-LEAD COMPLIANT 2-PIECE* FULL PORT** WATER SERVICE VALVE WITH PRESS ENDS

The FNW figure X432 press valve for water service is an economical alternative to the more robust figure X430. This valve allows quick installation on copper pipelines meeting ASTM B88 standards. The structure of the valve, made in dezincification-resistant brass, guarantees excellent corrosion resistance, particularly in the connection areas of the pipeline. Drip fit O-rings ensure that an end connection will drip, indicating an end was not pressed.

FEATURES

- Sizes: 1/2"–4" (2-1/2"–4" are XLC end connections†)
- Full port**
- Press ends
- Drip fit O-rings (1/2"–2")
- No soldered-in end pieces
- Blowout-proof stem
- Dual O-ring non-adjustable packing
- Forged brass body and end cap
- 100% electronically tested in open and closed position at 80 psi

PRODUCT SPECIFICATIONS

Standards

- Conforms to MSS SP-110†
- ANSI/NSF 61 Annex G Certified (UL) (Annex G references NSF 372)

Properties

- Max working pressure: 200 psi (non-shock)
- Max temperature: 250°F (at max pressure)

* Sizes 2-1/2"–4" use threaded-in, O-ring sealed XLC press end adapters.

** 4" valve is standard port.

† The current specification SP-110 does not address the new technology of press end connections; other than this exception, the valve meets the design criteria of the specification.

‡ XLC valves are for copper pipe or copper XLC fittings only and should not be used on brass fittings or adapters.

Note: Low-Lead Compliant: Referring to laws defining "Lead Free" as wetted surface of pipe, fittings and fixtures in potable water systems that have a weighted average lead content ≤ 0.25% per the Safe Drinking Water Act (Sec. 1417) amended 1-4-2011, as well as other state regulations.

NOT FOR USE AT OR BELOW GROUND LEVEL.

Note: The figure X432A uses the same accessories as the 420.

Locking Handle Kit (LHK) is only compatible with sizes 1/2"-2".
LHK is not compatible with sizes 2-1/2"-4".



2-1/2"–4" XLC Ends

OPTIONS



Locking Handle Kit (1/2"–2")



Stem Extension Kit (1/2"–4")



Tee Handle Kit (1/4"–1")



Memory Stop Kit (1/2"–2")



Stainless Handle (1/2"–2")



Oval Handle Kit (1/2"–2")

FIGURE NUMBER MATRIX

FNW	X432	Configuration End	Size	
		1/2" to 2" = Blank	1/2" = D	2" = K
		2-1/2" to 4" = AXLC	3/4" = F	2-1/2" = L
			1" = G	3" = M
			1-1/4" = H	4" = P
			1-1/2" = J	

ACCESSORY KIT CODES

FNW	420	Kit Type	Size
		Locking Handle Kit (LHK)	1/2" = BD
		Stem Extension (SE)	3/4"–1" = FG
		Tee Handle (THK)	1-1/4"–1-1/2" = HJ
		Oval Handle (OHK)	2" = K
		Memory Stop (MSK)	2-1/2"–3" = LM
		Stainless Handle (SSH)	4" = P

SPECIFICATIONS

FIGURE X432

BRASS BODY BALL VALVE



LOW-LEAD COMPLIANT 2-PIECE* FULL PORT** WATER SERVICE VALVE WITH PRESS ENDS

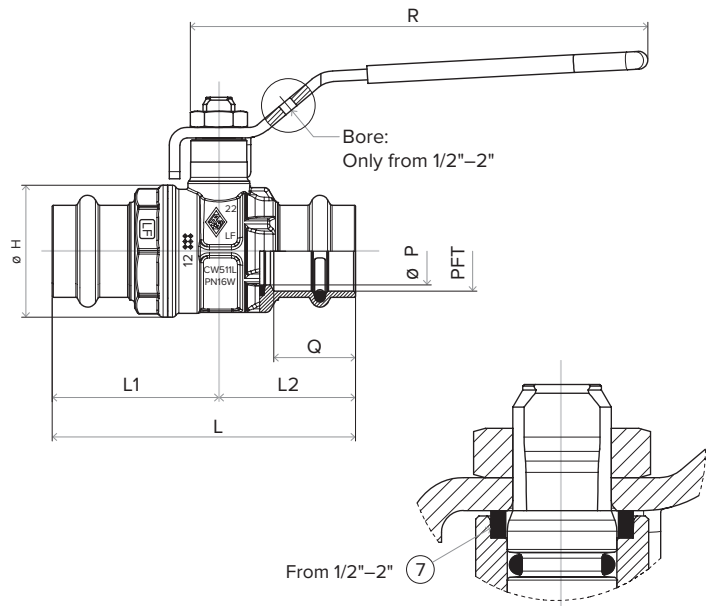
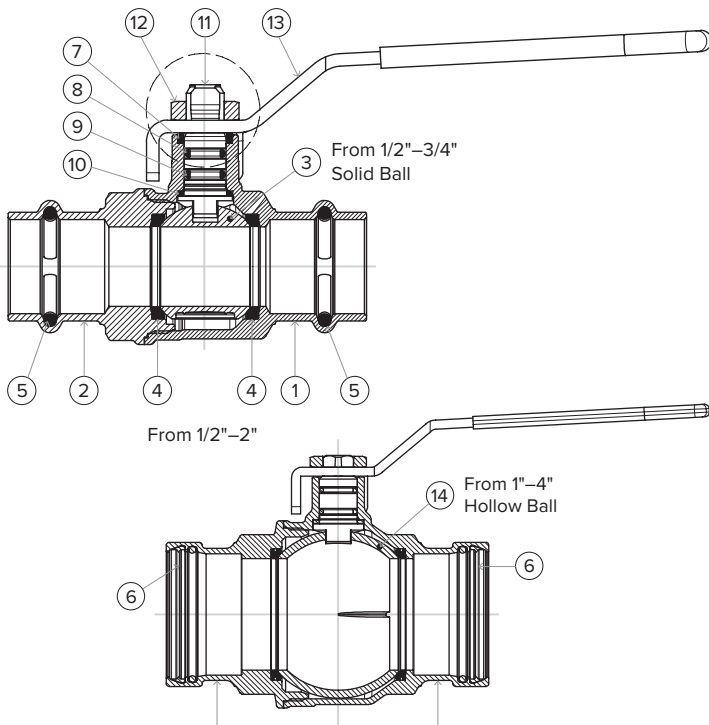
REFERENCE CHART

Size	ØP	Q	ØH	L	L1	L2	h	R	PN	CWP	Weight (lbs)
1/2"	0.55	0.71	1.22	2.93	1.62	1.31	1.77	3.78	200	200	0.44
3/4"	0.75	0.91	1.46	3.37	1.85	1.52	2.22	4.76	200	200	0.72
1"	0.94	0.94	1.76	3.81	2.11	1.70	2.32	4.76	200	200	0.99
1-1/4"	1.19	1.02	2.11	4.17	2.24	1.93	2.85	5.94	200	200	1.55
1-1/2"	1.50	1.42	2.64	5.23	2.78	2.45	3.09	5.94	200	200	2.51
2"	1.95	1.57	3.39	6.27	3.29	2.98	3.70	6.30	200	200	4.19
2-1/2"	2.44	1.65	4.09	7.05	3.76	3.29	4.57	8.07	200	200	7.16
3"	2.99	1.91	4.96	8.27	4.45	3.82	4.98	8.07	200	200	10.76
4"	2.99	2.42	5.28	8.94	4.53	4.41	4.98	8.07	200	200	14.68

PART MATERIALS & QUANTITY

Ref #	Description	Material	Qty
1	Body	Brass C27453	1
2	End Connection	Brass C27453	1
3	Ball	Brass CW 510L	1
4	Seat	PTFE	2
5	O-Ring	EPDM	2
6	Compression Ring	Steel	2
7	Packing Ring	PTFE	2
8	O-Ring	FKM	1
9	O-Ring	NBR	1
10	Thrust Washer	PTFE	1
11	Stem	Brass CW 510L	1
12	Nut	Steel CL 04	1
13	Handle	Steel DD11	1
14	Ball	Brass CW 510L	1
15	Tag	Paper	2

PARTS BREAKDOWN



WARNING!
SHARP EDGES
DID YOU CRIMP
THE VALVE?
NOW YOU CAN
REMOVE ME!

Drip Fit O-Rings

The drip fit O-rings ensure that an unpressed end will drip. This is an added safety feature to ensure unpressed ends are discovered and corrected.

