

SECTION 10

TEELOX™ MECHANICAL BRANCH CONNECTOR

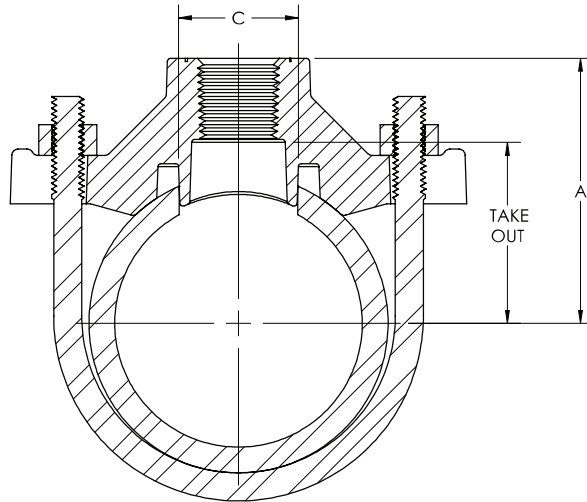


Designed for fast installation of bolted branch outlets, Teelox™ mechanical branch connectors are practical alternatives to existing branch connect systems. Made from high quality cast iron, Teelox™ are known for long-lasting, maintenance-free performance.

Key Features:

- A high grade EPDM rubber gasket surrounds the locating collar for accurate, permanent installation and the best seal in the industry.
- The locating collar is an integral part of the casting.
- A zinc-plated high-tensile steel U-bolt ensures rust-free attachment.
- Teelox™ is approved for conventional and arm-over installations.

NPS	Pipe Center to Outlet A	Hole Dia. B	Take Out
1 1/4 x 1/2	1.98	1.19	1.19
1 1/4 x 3/4	2.05	1.19	1.19
1 1/4 x 1	2.13	1.19	1.19
1 1/2 x 1/2	1.98	1.19	1.19
1 1/2 x 3/4	2.05	1.19	1.19
1 1/2 x 1	2.13	1.19	1.19
2 x 1/2	2.26	1.19	1.47
2 x 3/4	2.33	1.19	1.47
2 x 1	2.41	1.19	1.47
2 1/2 x 1/2	2.57	1.19	1.78
2 1/2 x 3/4	2.64	1.19	1.78
2 1/2 x 1	2.72	1.19	1.78



Material: Cast Iron ASTM A126 Class A Minimum

Gasket: E.P.D.M. Rubber ASTM D-2000

U Bolt: Zinc Plated High-Tensile Steel

Dimensions: ANSI/ASME B1.20.1

Pressure Ratings: 175 psi

Coatings: ASTM B633, ASTM A153

Additional Specifications: UL, ULC and FM where applicable

Torque Requirement: 20 ft.-lbs. max.