

The Com-Pak Twin

The economical choice for larger areas



SAFETY

- Primary and Secondary Thermal Safeguards
- Robust, heavy duty high temperature manual power reset
- Over temperature one-time thermal fuse



QUALITY

- Nichrome coil element for quick heat
- Powder coat paint process eliminates sharp metal edges



EASY

- Wall can designed for ease of installation



CONVENIENCE

- Dual fans behind single grill for quick response for larger areas

General Information:

The Com-Pak Twin Plus is the ideal choice for heating large areas such as an open foyer with a single heater. Twin heaters connected behind a single grill provide all the benefits of The Com-Pak Plus. Cadet recommends a wall-mounted thermostat for optimum performance, or you may prefer the convenience of an optional built-in thermostat.

Architectural Information:

Fan forced electric air heaters shall be UL listed, factory rated at 208V or dual field rated 208V/240V. A painted 20 gauge wall mounting can with four knockouts and 79 cubic inch wiring compartment shall be provided with each complete heater. Heater shall be of unitized construction and attach to the wall can with two screws and shall be self-contained and completely separate from the wall mounting can. Two elements shall be nichrome type wrapped on mica insulators with two oversized 16 amp at 240V high temperature manual power reset limit switches and two over temperature thermal backup fuses. Two independent two-stage centrifugal blowers shall be driven by impedance protected motors. The motors shall be totally isolated from the heating chamber. Metal grill shall be of one piece, 20 gauge construction and finished with a powder coat paint system.



Learn more about
The Com-Pak Twin
Scan It Now!



Carton Details

Heater Assembly Only Carton

DIMENSIONS | 19.75"W x 13.375"H x 7"D

PALLET QTY. | 56

CUBE | 1

Complete Unit Carton

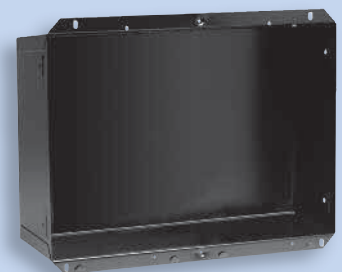
DIMENSIONS | 18.25"W x 12.5"H x 5.75"D

PALLET QTY. | 56

CUBE | .91



Heater Assembly with Thermostat



Wall Can

The Com-Pak Twin



PHONE 360.693.2505
 FAX 360.694.8668
 WEB www.cadetco.com

Technical Information:

Model may be ordered with or without built-in thermostat. For optimum comfort a Cadet electronic thermostat may be used (check amperage rating). Single pole and double pole field mount thermostat kits available. Fan heaters and thermostats work best when installed on an inside wall. UL requires heater to be placed a minimum distance of 6" from adjacent surfaces and 4.5" from the floor. Manufacturer recommends installation 12" from all surfaces. A 3' minimum clearance is required for furniture or other objects placed directly in front of heater.

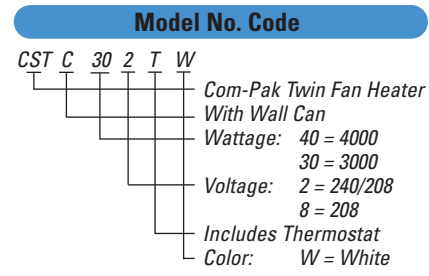
NOTE: Manufacturer recommends installing heater assembly after walls are finished. Heater must be cleaned every six months minimum.

Ordering Information:

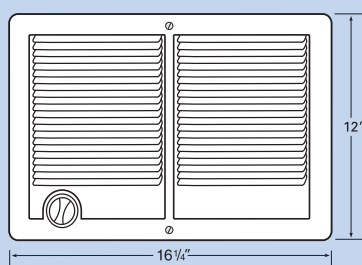
Suffix "T" in model number denotes built-in single pole thermostat. Model numbers without a "T" require a thermostat. Recommended for elevations under 10,000 feet. Complete unit available in white only.

UPC Code				WATTS			AMPS		
Part#	Model#	Description	240V	208V	120V	240V	208V	120V	Wt./Lbs
027418	67527	9 CSTC402TW	Complete Unit w/ Thermostat, White	4000	3000		16.67	14.42	12
027418	67526	2 CSTC302TW	Complete Unit w/ Thermostat, White	3000	2250		12.5	10.82	12
027418	67529	3 CST402	Heater Assembly Only-No Thermostat	4000	3000		16.67	14.42	6.5
027418	67528	6 CST302	Heater Assembly Only-No Thermostat	3000	2250		12.5	10.82	6.5
027418	67574	3 CST308	Heater Assembly Only-No Thermostat		3000			14.42	6.5
027418	67530	9 CST408	Heater Assembly Only-No Thermostat		4000			19.23	6.5
027418	67532	3 CST402T	Heater Assembly Only w/ Thermostat	4000	3000		16.67	14.42	7
027418	67531	6 CST302T	Heater Assembly Only w/ Thermostat	3000	2250		12.5	10.82	7
027418	67533	0 CST408T	Heater Assembly Only w/ Thermostat		4000			19.23	7
027418	67534	7 CST308T	Heater Assembly Only w/ Thermostat		3000			14.42	7

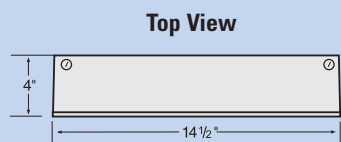
UPC Code				ACCESSORIES	
Part#	Model#	Description	Wt./Lbs		
027418	67089	2 CTGW	Single CST Grill, White	2.5	
027418	67090	8 CTGA	Single CST Grill, Almond	2.5	
027418	68005	1 CTC	CST Wall Can Single Pack	3.5	
027418	68070	9 CTAMA	18.5" x 22" Metal Adapter Plate CST Series, Almond	3	
027418	68075	4 CTAMW	18.5" x 22" Metal Adapter Plate CST Series, White	3	
027418	69100	2 CTS4A	4" Surface Mount Metal Adapter, Almond	6	
027418	69104	0 CTS4W	4" Surface Mount Metal Adapter, White	6	
027418	67063	2 CTT1W*	Single Pole Field Mount Thermostat Kit, 22 amp, White	.25	
027418	67064	9 CTT2W*	Double Pole Field Mount Thermostat Kit, 22 amp, White	.25	
027418	67065	6 CTT1A*	Single Pole Field Mount Thermostat Kit, 22 amp, Almond	.25	
027418	67066	3 CTT2A*	Double Pole Field Mount Thermostat Kit, 22 amp, Almond	.25	
027418	67067	0 CTPP*	Tamper Proof Field Mount Single Pole Thermostat Kit, 22 amp	.25	



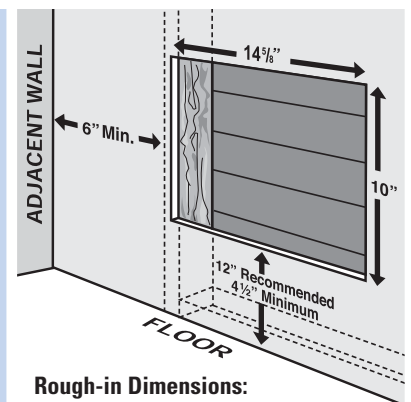
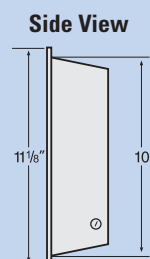
*Thermostat kit temperature range 40°F to 85°F



Grill Dimensions:
 16 1/4" W x 12" H x 1" D



Wall Can Dimensions:
 14 1/2" W x 11 1/8" H x 4" D



Rough-in Dimensions:
 14 1/8" W x 10" H x 4" D