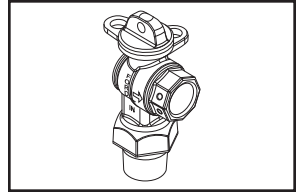
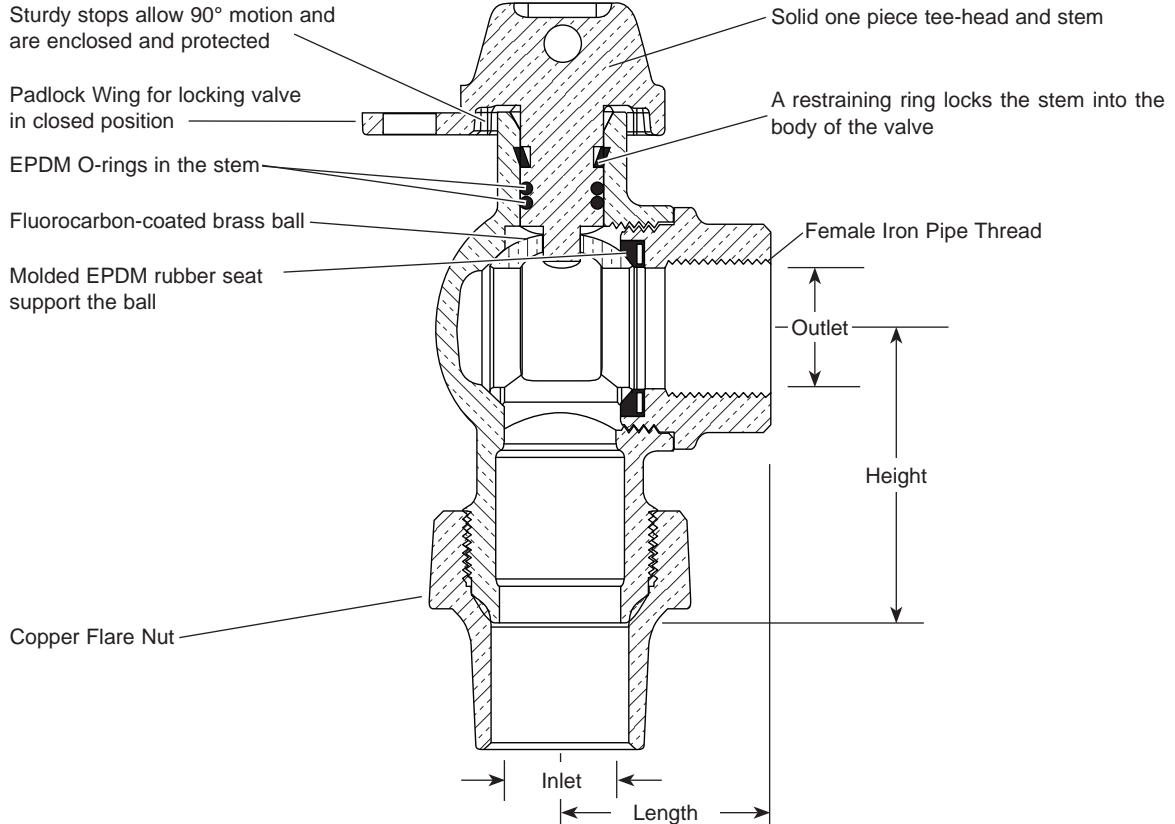


SUBMITTAL INFORMATION

Angle Ball Service Valves - (BA21-xxxW-NL style)



3/4" & 1" FLARE COPPER INLET BY FEMALE IRON PIPE THREAD OUTLET



VALVE SIZE	INLET SIZE	OUTLET SIZE	LENGTH	HEIGHT	APPROX. WT. LBS	PART NUMBER	✓ SUBMITTED ITEM(S)
3/4"	3/4"	3/4"	1-17/32"	2-1/8"	1.9	BA21-333W-NL	
3/4"	1"	1"	1-25/32"	2-7/32"	2.3	BA21-344W-NL	
1"	1"	1"	1-23/32"	2-29/64"	2.9	BA21-444W-NL	

FEATURES

- All brass that comes in contact with potable water conforms to AWWA Standard C800 (UNS No. C89833)
- The product has the letters "NL" cast into the main body for lead-free identification
- Certified to NSF/ANSI Standard 61 and NSF/ANSI Standard 372 where applicable
- Brass components that do not come in contact with potable water conform to AWWA Standard C800 (ASTM B62 and ASTM B584, UNS No. C83600, 85-5-5-5)
- Ends are integral or secured with adhesive to prevent unintentional disassembly
- Hole for attaching handle is provided in tee-head
- 300 PSI working pressure
- Padlock Wing for locking valve in closed position

Note: Recommended flow from inlet to outlet

Optional full 360° tee-head rotation. Add "R" to part number

The Ford Meter Box Company considers the information in this submittal form to be correct at the time of publication. Item and option availability, including specifications, are subject to change without notice. Please verify that your product information is current.



The Ford Meter Box Company, Inc.

P.O. Box 443, Wabash, Indiana U.S.A. 46992-0443

Phone: 260-563-3171 / Fax: 800-826-3487

Overseas Fax: 260-563-0167

www.fordmeterbox.com

03/28/14

Submitted By: