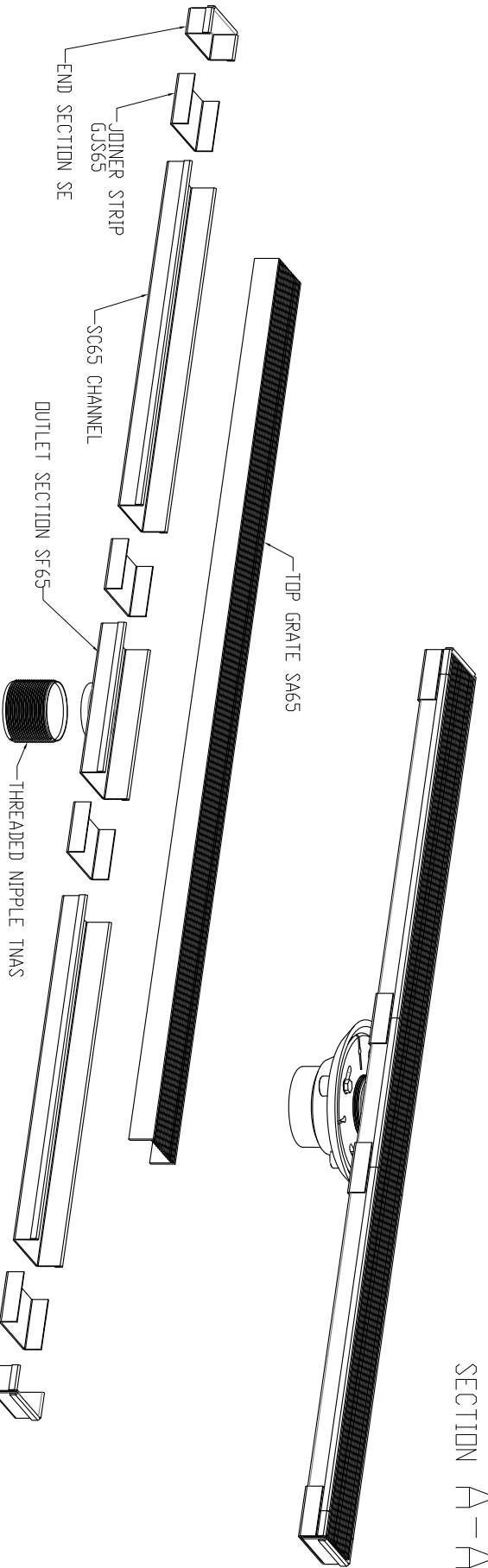


DRAIN CAN BE ADJUSTED UPWARD AN ADDITIONAL 1" IN HEIGHT

SECTION A-A



2 INCH CLAMP DOWN DRAIN ASSEMBLY
MATERIAL CAN BE CAST IRON,
ABS, OR PVC

UNLESS OTHERWISE SPECIFIED	DIMENSIONS ARE IN INCHES		
	FINISH	TOLERANCE	FINISH
	SMOOTH	± .005	± .005
	CAST IRON	± .005	± .005

TITLE	INFINITY DRAIN
ASS536 SHOWER DRAIN	REV
SCALE: 1/2" = 1'-0"	SHEET 1 OF 1