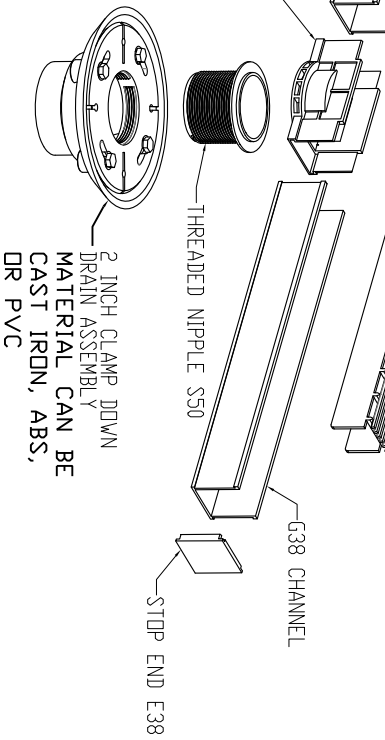
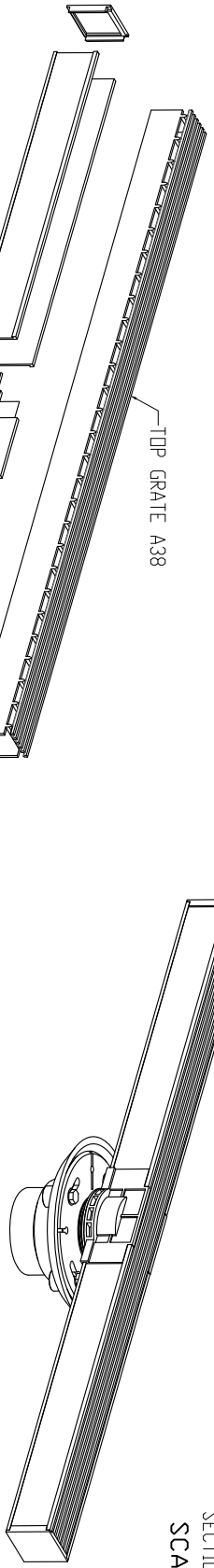


SECTION A-A  
SCALE 1:1



2 INCH CLAMP DOWN DRAIN ASSEMBLY MATERIAL CAN BE CAST IRON, ABS, OR PVC

UNLESS OTHERWISE SPECIFIED		DIMENSIONS ARE IN INCHES	
TOLERANCES:		FRACTIONS ±	
DECIMALS ±		BELOW ±	
THREE PLACE DECIMAL ±		THREE PLACE DECIMAL ±	
INTERPRET DIMENSIONS PER MATERIAL		TOLERANCING PER MATERIAL	
FINISH			
DRAWN	NAME	DATE	
CHECKED	CT	7-28-12	
ENG APPR			
MFG APPR			
QA			
TITLE:		INFINITY DRAIN	
SIZE DWG. NO.		AG38 SHOWER DRAIN	
SCALE: 1/2" = 1"		WEIGHT:	
SHEET 1 OF 1		REV	