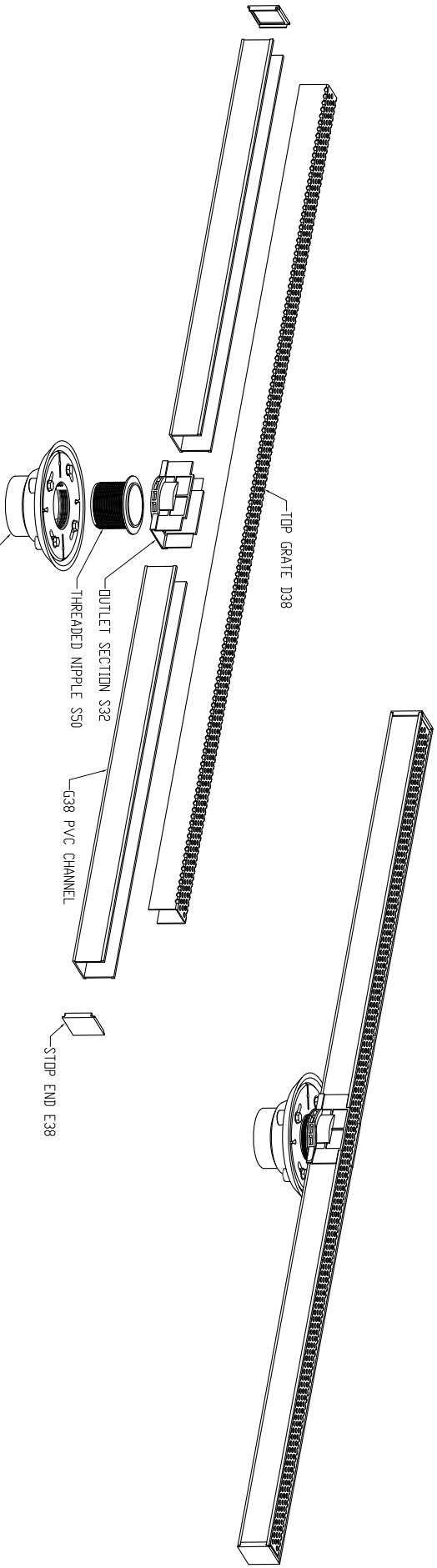
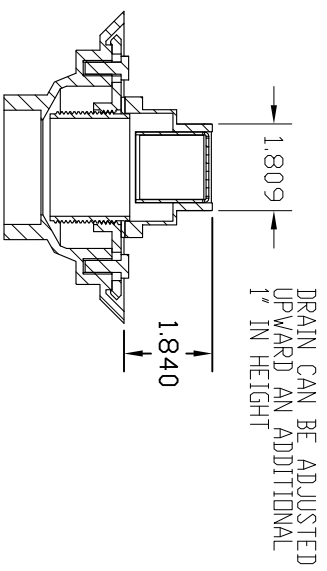


SECTION A-A



CHECK ENGINEER SPECIFIED				
DATE	BY	SCALE	NO.	REV.
11/14/08	CT	1/2"	253	1
12/14/09	CT	1/2"	253	2
06/24/10	CT	1/2"	253	3
05/11/11	CT	1/2"	253	4
05/11/11	CT	1/2"	253	5
05/11/11	CT	1/2"	253	6
05/11/11	CT	1/2"	253	7
05/11/11	CT	1/2"	253	8
05/11/11	CT	1/2"	253	9
05/11/11	CT	1/2"	253	10
05/11/11	CT	1/2"	253	11
05/11/11	CT	1/2"	253	12
05/11/11	CT	1/2"	253	13
05/11/11	CT	1/2"	253	14
05/11/11	CT	1/2"	253	15
05/11/11	CT	1/2"	253	16
05/11/11	CT	1/2"	253	17
05/11/11	CT	1/2"	253	18
05/11/11	CT	1/2"	253	19
05/11/11	CT	1/2"	253	20
05/11/11	CT	1/2"	253	21
05/11/11	CT	1/2"	253	22
05/11/11	CT	1/2"	253	23
05/11/11	CT	1/2"	253	24
05/11/11	CT	1/2"	253	25
05/11/11	CT	1/2"	253	26
05/11/11	CT	1/2"	253	27
05/11/11	CT	1/2"	253	28
05/11/11	CT	1/2"	253	29
05/11/11	CT	1/2"	253	30

TITLE: INFINITY DRAIN

DC38 SHOWER DRAIN

SIZE: 1/8" = 1"

DWG NO: DC3848 ASSEMBLY

SCALE: AS SHOWN

SHEET 1 OF 1