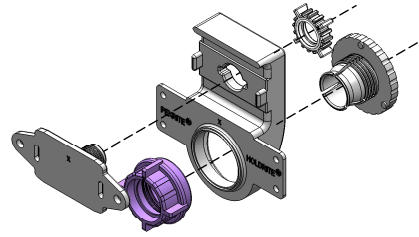
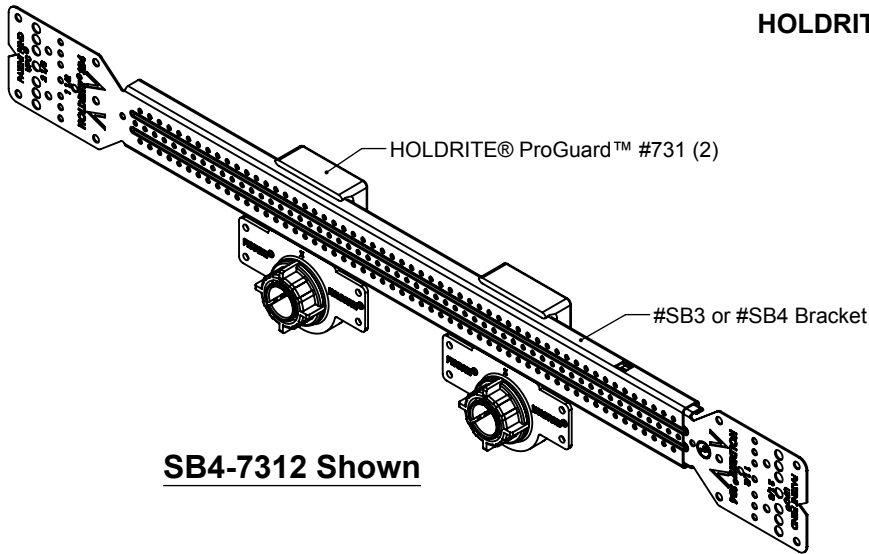


PRODUCT SPECIFICATION DRAWING

HOLDRITE® ProGuard™ #731



HOLDRITE® ProGuard™ #731 "Exploded"



Model	Description
731	731 Assy ONLY
SB3-7311	731 (1) & SB3 (1)
SB3-7312	731 (2) & SB3 (1)
SB4-7311	731 (1) & SB4 (1)
SB4-7312	731 (2) & SB4 (1)

The HOLDRITE® ProGuard™ #731 supports 1/2" PEX Tubing, CPVC, Copper & Copper Bullets. The HOLDRITE® ProGuard™ #731 is for use with #SB3 & #SB4 brackets only.

Product Information:

- Material: PVC, White, UL94V-0
Nylon 6/6, Purple, UL94V-0
- Temperature range: -10 °F to +140 °F
- Load rating: 25 pounds
- UPC / IAPMO listed



THIS INFORMATION IS PROPRIETARY TO HOLDRITE AND IS SUBJECT TO CHANGE WITHOUT NOTICE. IT MAY NOT BE REPRODUCED IN PART OR WHOLE WITHOUT WRITTEN AUTHORIZATION.



CONVERTING MAKESHIFT METHODS INTO ENGINEERED SOLUTIONSSM

800-321-0316 OR 760-744-6944 / FAX: 760-744-0507 / WWW.HOLDRITE.COM
spec_731_RevD

Product Submittal	
Job Name:	
Date:	
Part Number:	Qty:
Architect / Owner:	
Contractor:	
Notes:	