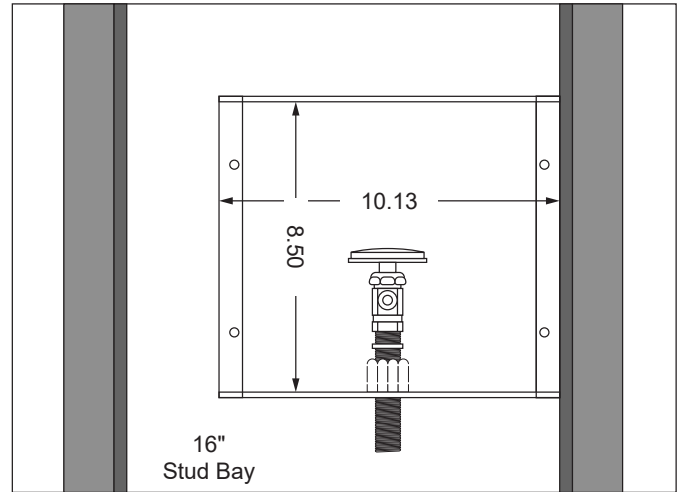
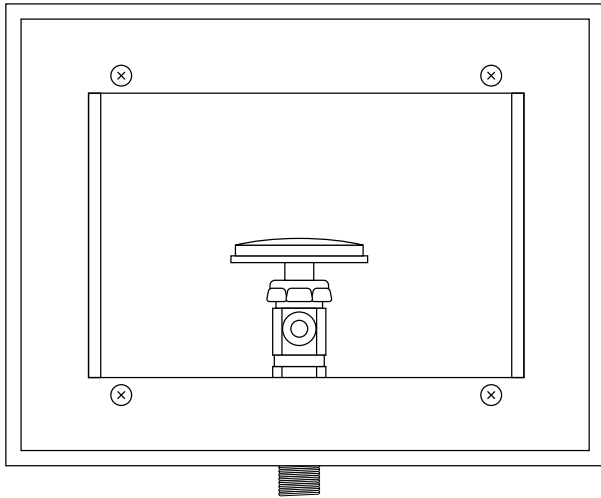




Galvanized Ice Maker Box with Lead Free Domestic Valve



Specifications:

Furnish and install Guy Gray recessed ice maker outlet box. Ice maker outlet box shall have an AB1953 compliant valve with a 1/2" copper sweat inlet and a 1/4" compression outlet. Unit shall be Guy Gray product code 88158 as manufactured by IPS Corporation in Collierville, TN.

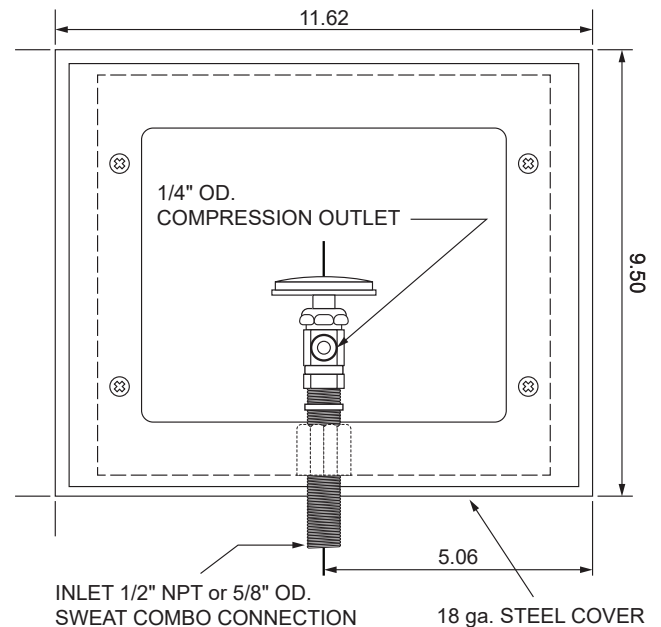
Box Material:

G90 Hot Dipped Galvanized Steel (unpainted)
20 gauge box with 20 gauge faceplate

Valve & Drain Options:

Lead free Domestic Valve with 1/2" MIP/Sweat, CPVC or PEX connection. Valves comply with ASME A112.18.1.

Valves comply with the requirements of NSF 61-G and the "Reduction of Lead in Drinking Water Act" (Federal Public Law 111-380)



| Item # | Product Description | Model # | Quantity |
|--------|--|-------------|----------|
| 88510 | Qtr-turn Valve, 1/2" Sweat Connection | BIM875QTSAB | 6 |
| 88158 | Domestic Valve, 1/2" Sweat Connection | BIM875AB | 6 |
| 88512 | Qtr-turn Valve, 1/2" CPVC Connection | BIM876QTCAB | 6 |
| 88514 | Qtr-turn Valve, 1/2" F1807 Connection | BIM877QTPAB | 6 |
| 96997 | Tamper resistant cover for Models B, BB, WB, FB, & BIM | BTRC | 6 |

*Frames packed separately from boxes and mounting flanges for protection and safe keeping until finishing stage.



500 Distribution Parkway, Collierville, TN 38017 ▪ Phone: 800-888-8312 ▪ Fax: 901-853-5008 ▪ www.ipscorp.com