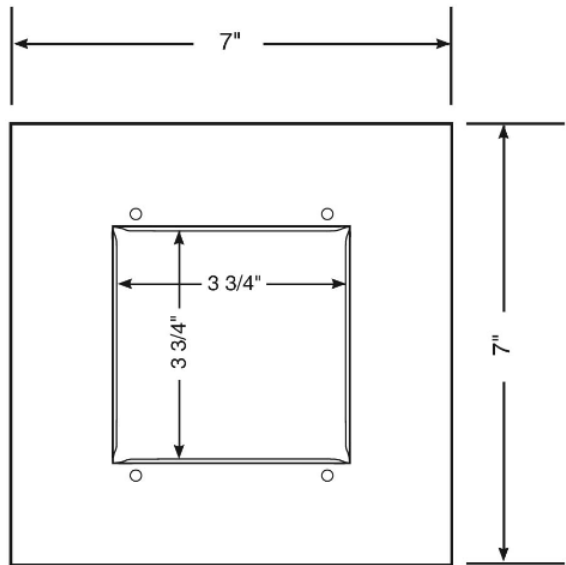
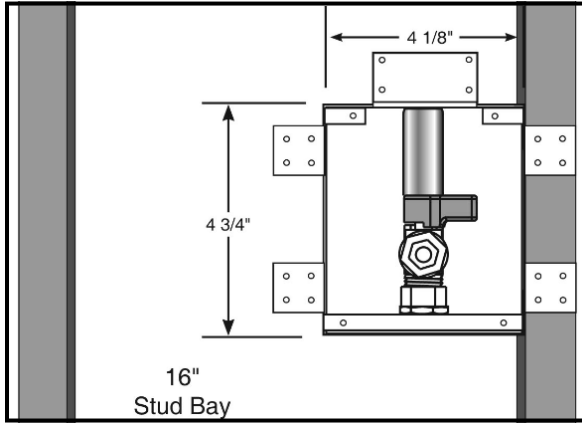




White Powder Coated Ice Maker Outlet Box  
With Lead Free Hammer Arrester Valves



**SPECIFICATION**

Furnish and install recessed, white powder coated ice maker outlet box. Ice maker outlet box shall have a brass plated, quarter turn hammer arrester valve meeting Lead-Free requirements NSF61-NSF/ANSI 372. Valve shall feature either Mylar® tag and AB1953 stamping or white handle and check-mark logo for easy Lead-Free identification. Unit shall be Guy Gray™ product code checked below as manufactured by IPS Corporation.

Product Code #	Model Number	Product Description	Units/Case
88531	MIB1HAAB	Brass Qtr Turn Hammer Arrester Valve, Installed, 1/2" Sweat Conx.	5
88533	MIB2HAAB	Brass Qtr Turn Hammer Arrester Valve, Installed, 1/2" CPVC Conx.	5



www.ipscorp.com watertite@ipscorp.com

500 Distribution Parkway, Collierville, TN 38017, USA ■ TEL: 901-853-5001 ■ WATS: 800-888-8312 ■ FAX: 901-853-5008