

TECH-SPEC:

Product Reference Sheet

303_PK_(PG)

Example: **303** | **D** | **PK** | **3684**
 Profile# Finish Silicone Length

CATEGORY: Perimeter Gasketing

TYPE: Standard Perimeter Gasketing

FINISHES: A (Mill Finish), D (Dark Anodized), BDG (Bright Dip Gold), C (Clear Anodized)
 PW (Painted White), SN (Satin Nickel Anodized)

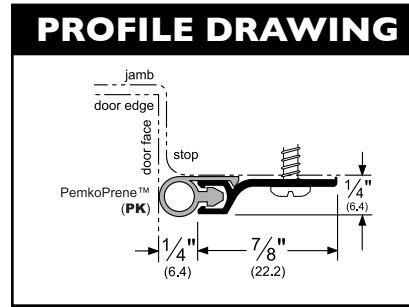
LENGTHS: Up to 120"

WIDTH: 7/8" (22.2 mm)

HEIGHT: 1/4" (6.4 mm)

WEIGHT: Estimated per foot: 0.07 lbs

RATINGS:    



PRODUCT APPROVALS:

- Category J gaskets for use with listed steel frames and/or classified steel covered composite, hollow metal doors rated up to and including 3 hours; wood and plastic covered composite doors rated up to and including 1-1/2 hours; and wood core doors rated for 20 minutes.
- Category H gaskets for use with listed steel frames and/or classified steel covered composite, hollow metal doors rated up to and including 3 hours; wood and plastic covered composite doors rated up to and including 1-1/2 hours; and wood core doors rated for 20 minutes without hose stream. When applied to the door and frame assembly in accordance with the manufacturer's installation instruction, the assembly will comply with UBC 7-2 (1997) part II.
- BHMA A156.21

ANSI NUMBER: R3G164

LEAD TIME: 4 working days (or less)

AVAILABLE: Shipped from PEMKO's Memphis, Ventura, Vancouver and Toronto locations

CROSS REFERENCE: N/A

INSTRUCTIONS: Available upon request and on website

CAD DRAWINGS: Available upon request and on website

PROFILE DRAWINGS: Available upon request and on website

CUT SHEET: Available upon request and on website

www.pemko.com

Memphis, TN USA
 P.O. Box 18966
 Memphis, TN 3818
 P: 800.824.3018
 F: 800.243.3656

Ventura, CA USA
 P.O. Box 3780
 Ventura, CA 93006
 P: 800.283.9988
 F: 800.283.4050

Vancouver, BC Canada
 103-2480 Mt. Lehman Rd.
 Abbotsford, BC V2T 6W3
 P: 877.535.7888
 F: 877.535.7444

Toronto, ON Canada
 160 Four Valley Dr.
 Vaughan, ON L4K 4T9
 P: 877.535.7888
 F: 877.535.7444