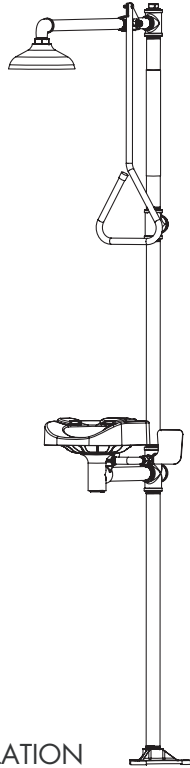


## INSTRUCTIONS FOR MODELS

# OPTIMUS™

SE-1200  
SE-1250  
SE-1255



STANDARD INSTALLATION  
(FOR ADA INSTALLATION SEE PAGE 6)

### NEED HELP?

For additional assistance or service please contact:

**SPEAKMAN®** Company  
400 Anchor Mill Road  
New Castle, DE 19720

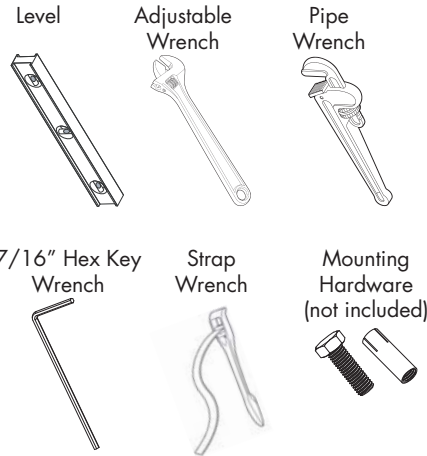
800-537-2107

customerservice@speakmancompany.com

www.speakmancompany.com

92-SE-1200-1255-R4

## TOOLS AND SUPPLIES



### IMPORTANT

ANSI Z358.1 requires that all safety emergency equipment shall be activated on a weekly basis to flush the line and verify proper operation. **SPEAKMAN** furnishes a testing record tag (91-0635) with each unit. On this tag, the date of inspection and the inspector's initials should be noted. ANSI Z358.1 specifies that the height of the spray heads is to be between 33" - 45" from the floor. Use Thread Locker or Sealant on all threaded connections. Be sure the Unit is level and plum.

### SAFETY TIPS

Cover your drain to prevent loss of parts. Always wear eye protection.

### MAINTENANCE

Should you need parts to repair this unit, please reference the parts listing for correct repair part number. Before any maintenance is done, be sure to shut the water supply off. Use only genuine **SPEAKMAN** parts when repairing or replacing components. To order parts, call 1-800-537-2107.

### WARRANTY

3 year limited warranty.  
Additional warranty information can be found at:  
www.speakmancompany.com

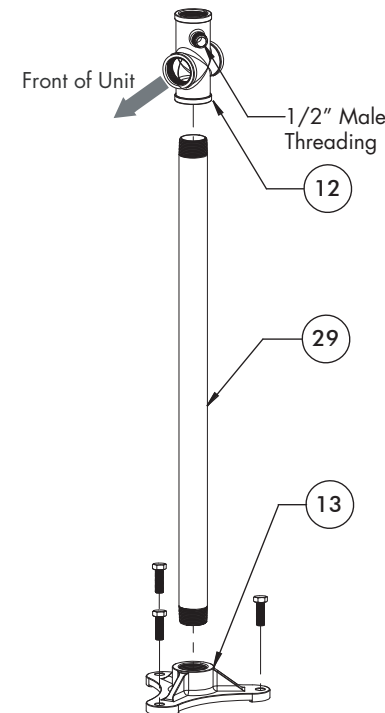
- ⚠ For ADA installation see Page 6.
  - ⚠ Use Thread Locker or Sealant on ALL threaded connections

- At desired location, mount Floor Flange (13) on a flat, level surface using suitable anchors, making sure that one of the three ears on the Floor Flange is positioned at what will be the front of the Stanchion.

- The Unit should be placed so that there is sufficient unobstructed area around the Stanchion.

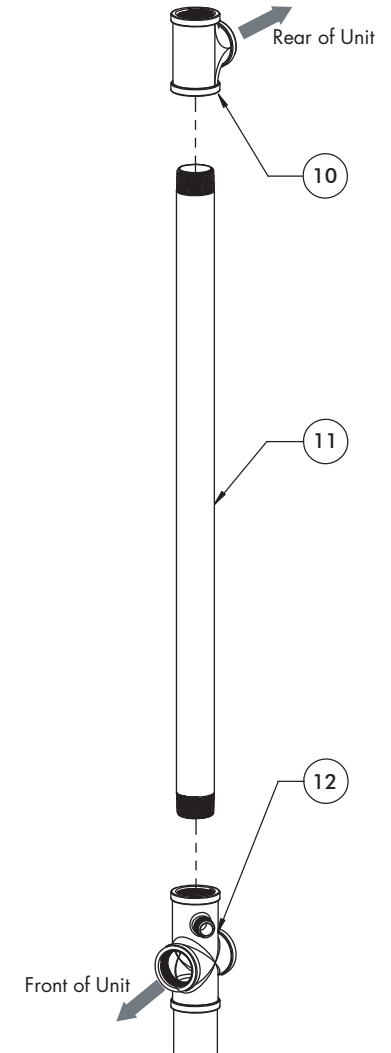
- Assemble 1-1/4" x 32-3/8" Pipe (29) to Floor Flange (13).

- Thread 1-1/4" x 1/2" Drain/Supply Cross (12) onto Pipe (29). Side Outlets should face the front and back of the Unit, and the 1/2" male threaded outlet upward at 45° to the right side of the Unit.



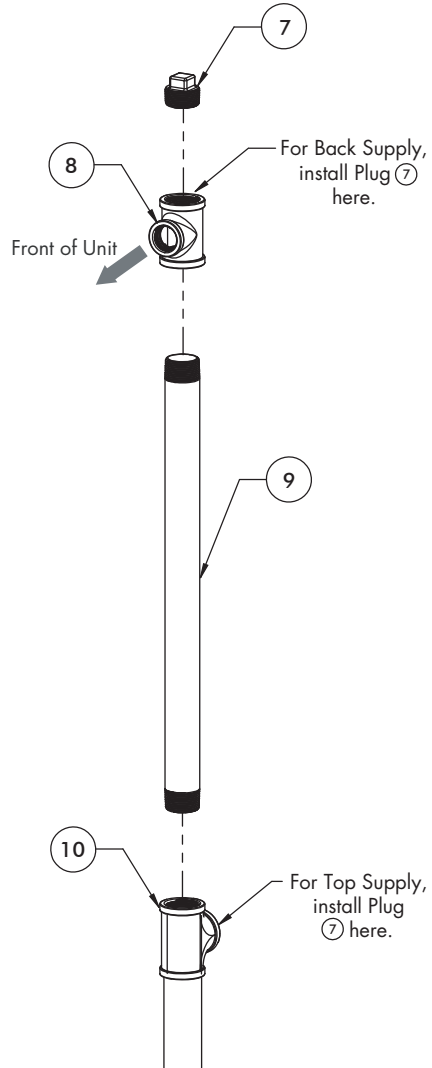
- Assemble 1-1/4" x 26-7/16" Pipe (11) to Drain/Supply Cross (12). Assemble 1-1/4" Tee (10) to Pipe (11).

- Assure the Side Outlet portion of Tee (10) is facing the rear of the Unit.



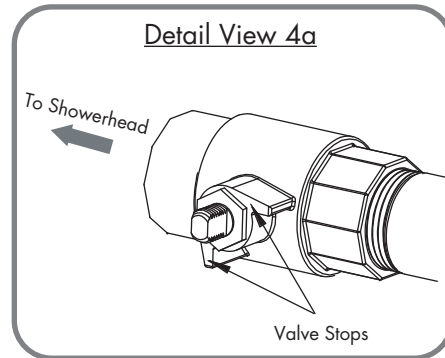
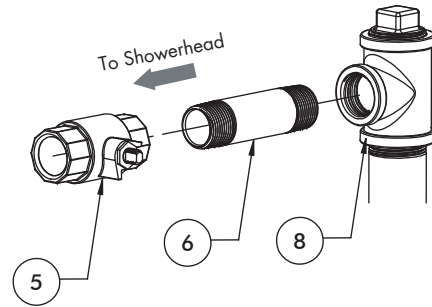
3

- If water supply is coming from above Unit, install Plug (7) into side outlet of Tee (10).
- If water supply is coming from behind Unit, install Plug (7) into top outlet of Tee (8).



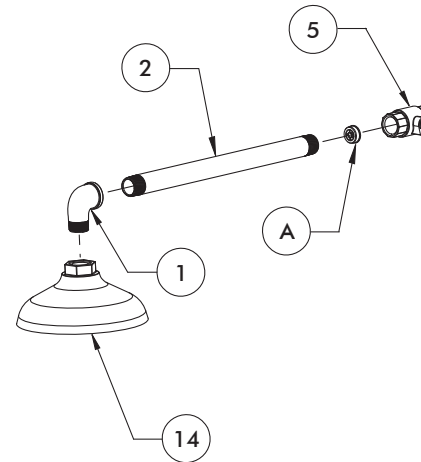
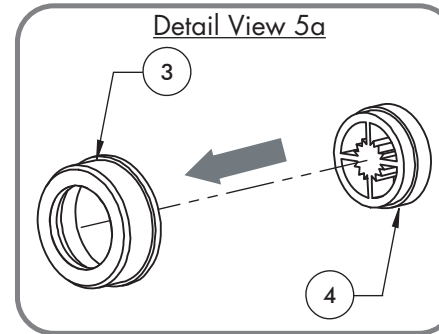
4

- Assemble 1" x 4-1/2" Pipe (6) into Side Outlet of Tee (8). Review View 4a below to understand the orientation of Ball Valve (5).
- Assemble 1" Ball Valve (5) onto Pipe (6). Valve Stops must be aligned correctly in order for the Pull Handle to operate properly.



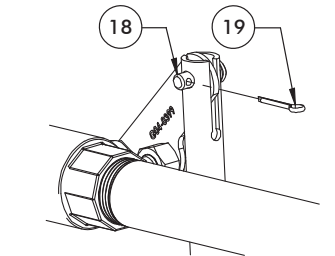
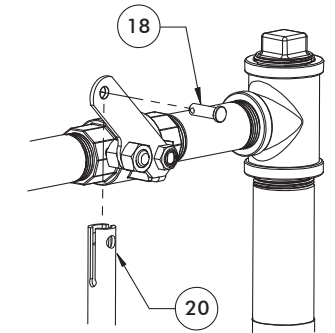
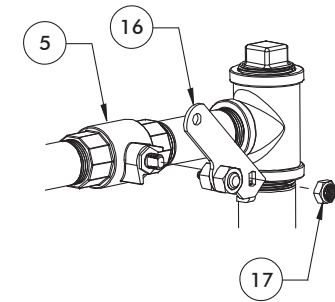
5

- Insert Flow Control (4) into Floet Housing (3), referring to Detail View 5a.
- Insert Flow Control Assembly (A) into end of 1" x 17-5/8" Pipe (2), so that the flange of Floet Housing (3) is fully seated in the end of Pipe.
- Install Pipe (2) with Flow Control Assembly (A) into Ball Valve (5).
- Assemble Elbow (1) to Pipe (2) being sure to orient Elbow (1) so that the outlet is facing down.
- Assemble Showerhead (14) to Elbow (1).



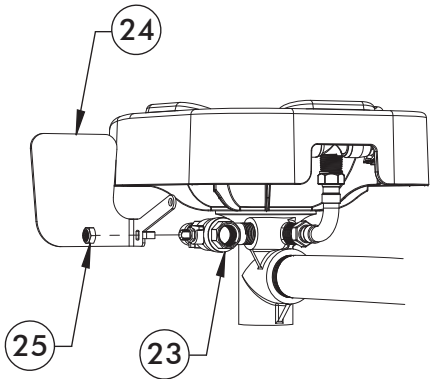
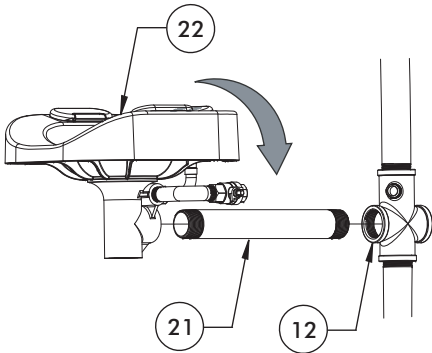
6

- Assemble the Lever Handle Assembly (16) to Ball Valve (5) using Nylo-Hex Nut (17), being sure to orient the Handle as shown below.
- Insert the slot in the Pull Rod (20) over the Lever Handle Assembly (16) and insert Pin (18).
- Secure Pin (18) with Cotter Pin (19).



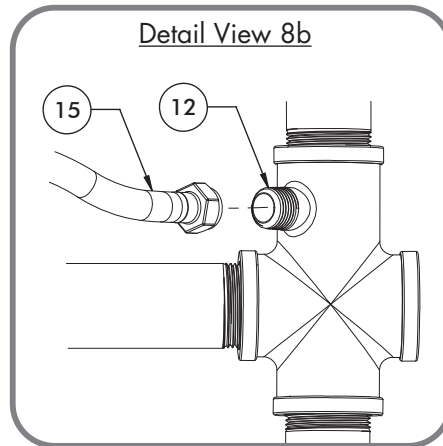
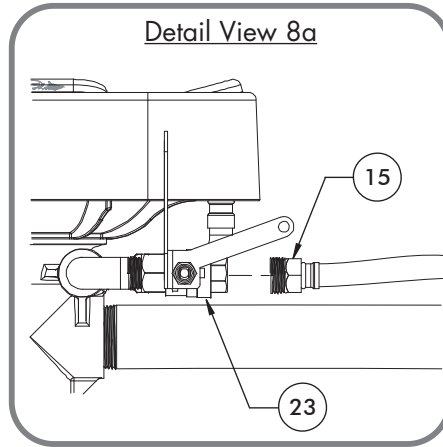
7

- Thread Pipe (21) into Drain/Supply Cross (12).
- Thread entire Bowl Assembly (22) to Pipe (21), being sure Bowl is level, plumb, and horizontal when completely secured.
- Install Paddle Handle (24) to Ball Valve (23) using Nylo-Hex Nut Nut (25).



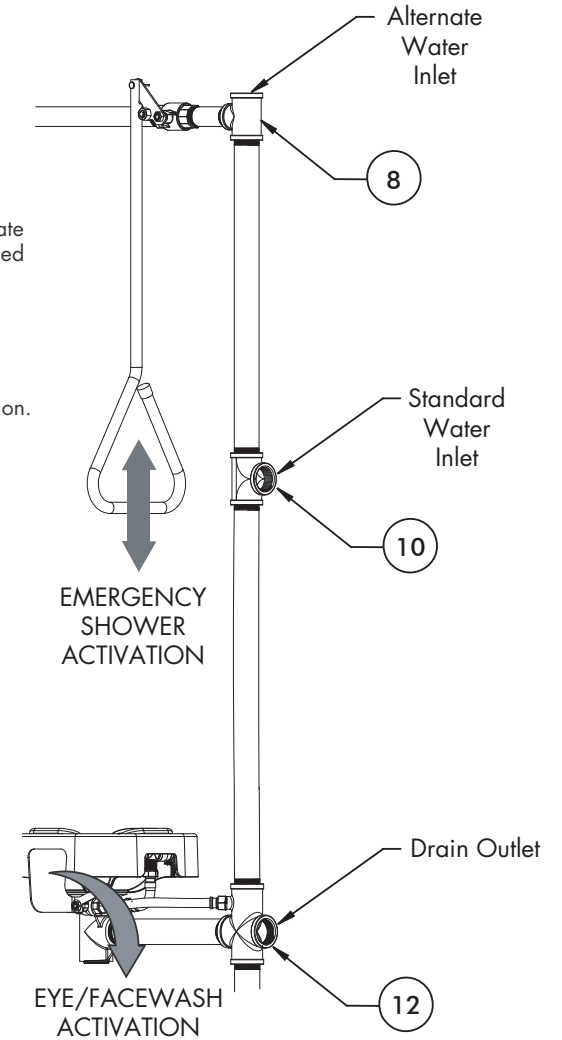
8

- Assemble male end of Flex Hose (15) to Ball Valve (23) (Detail View 8a).
- Assemble female end of Flex Hose (15) to Drain/Supply Cross (12) (Detail View 8b).

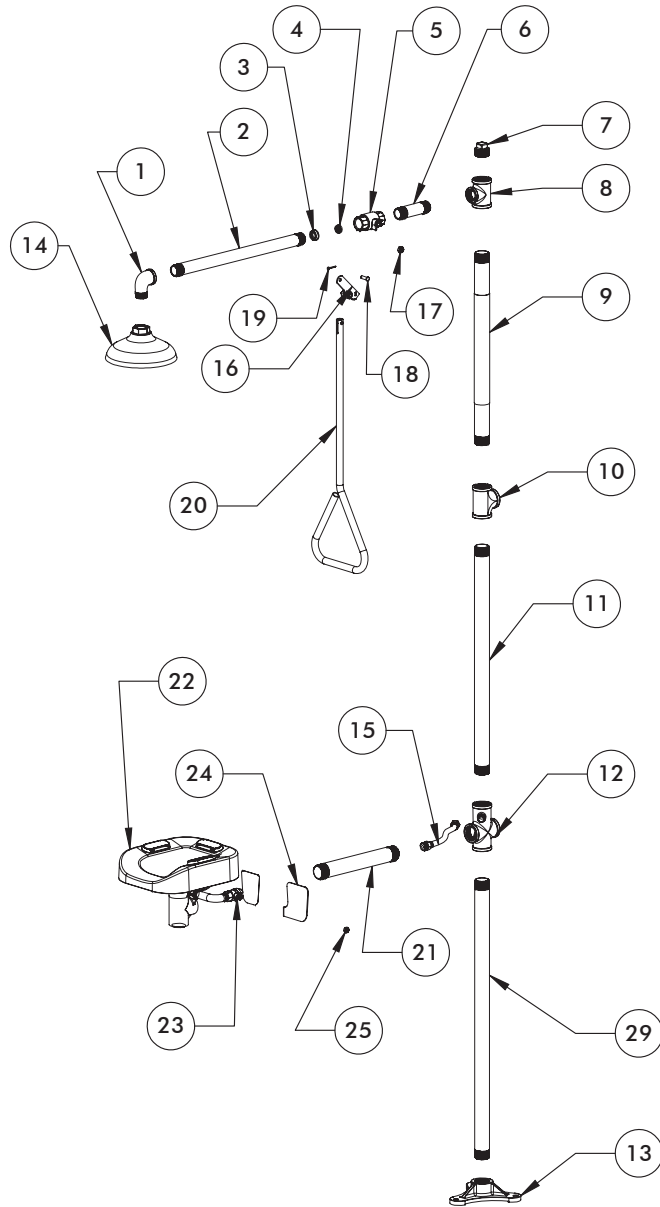


9

- Connect an uninterruptible potable water supply with a minimum of 30psi flowing pressure to Water Inlet. Failure to use potable water can result in further injury.
- Connect an adequate drain to Drain Outlet that complies with all local plumbing codes.
- Turn on water supply and check connections for leaks.
- To test the Eye/Face Wash, and for subsequent operation, push the Paddle Handle forward 90°. The unit will operate until the Paddle Handle is manually pulled back to the OFF position.
- To test the Shower, and for subsequent operation, pull the Pull Rod down. The unit will operate until the Pull Rod is manually pushed back to the OFF position.



## STANDARD INSTALLATION EXPLODED VIEW / REPAIR PART GROUPS



Item No.	Description	Qty.
1	1" x 90° Galv. Street Elbow	1
2	1" x 19-3/8" Galv. Pipe, TBE	1
3	Rubber Floet Housing	1
4	20 GPM Flow Control	1
5.1	1" Chrome Plated Brass Ball Valve	1
5.2	1" Stainless Steel Ball Valve	
6	1" 4-1/2" Galv. Pipe, TBE	1
7	1-1/4" Galv. Plug	1
8	1-1/4" x 1-1/4" x 1" Galv. Tee	1
9	1-1/4" x 22-1/4" Galv. Pipe, TBE	1
10	1-1/4" Galv. Tee	1
11	1-1/4" x 26-7/16" Galv. Pipe, TBE	1
12	1-1/4" x 1/2" Galv. Drain/Supply Cross	1
13	1-1/4" Galv. Floor Flange	1
14	8" Deluge Showerhead	1
15	Stainless Steel Flexible Supply Hose	1
16.1	Lever Handle w/Spring Plunger (SE-1200/SE-1250)	1
16.2	Lever Handle w/Spring Plunger (SE-1255)	1
17	7/16-20 UNF Stainless Steel Nylo-Hex Nut	1
18	Clevis Pin	1
19	Cotter Pin	1
20.1	29" Aluminum Pull Rod	1
20.2	29" Stainless Steel Pull Rod	1
21	1-1/4" x 11-5/8" Galv. Pipe, TBE	1
22	Eyewash Unit	1
22.1	Plastic Bowl, Chrome Plated Brass Ball Valve (SE-1	1
22.2	S/S Bowl, Chrome Plated Brass Ball Valve	1
22.3	S/S Bowl, Stainless Steel Ball Valve	1
23	1/2" Ball Valve	1
23.1	1/2" Chrome Plated Brass Ball Valve (SE-1200/1250)	1
23.2	1/2" Stainless Steel Ball Valve (SE-1255)	1
24	Paddle Handle	1
25	3/8" Stainless Steel Nylo-Hex Nut	1
29	1-1/4" x 32-3/8" Galv. Pipe, TBE	1

### REPAIR PARTS

Item No.	Part No.	Description
5	SE-911	1" Ball Valve
5	SE-911-SS	1" Stainless Steel Ball Valve SE-1255 Only
14	SE-870	8" Plastic Showerhead
14	SE-880	8" Stainless Steel Showerhead
20.1	RPG47-0046	Aluminum Pull Rod (With ADA Extension)
20.2	RPG47-0044	S/S Pull Rod (With ADA Extension)
22.1	SE-1000	Plastic Bowl, Chrome Plated Brass Ball Valve
22.2	SE-1050	S/S Bowl, Chrome Plated Brass Ball Valve
22.3	SE-1055	S/S Bowl, Stainless Steel Ball Valve (SE-1255 only)
15	RPG63-0094	Stainless Steel Supply Hose

# STANDARD INSTALLATION ROUGH-IN DIMENSIONS

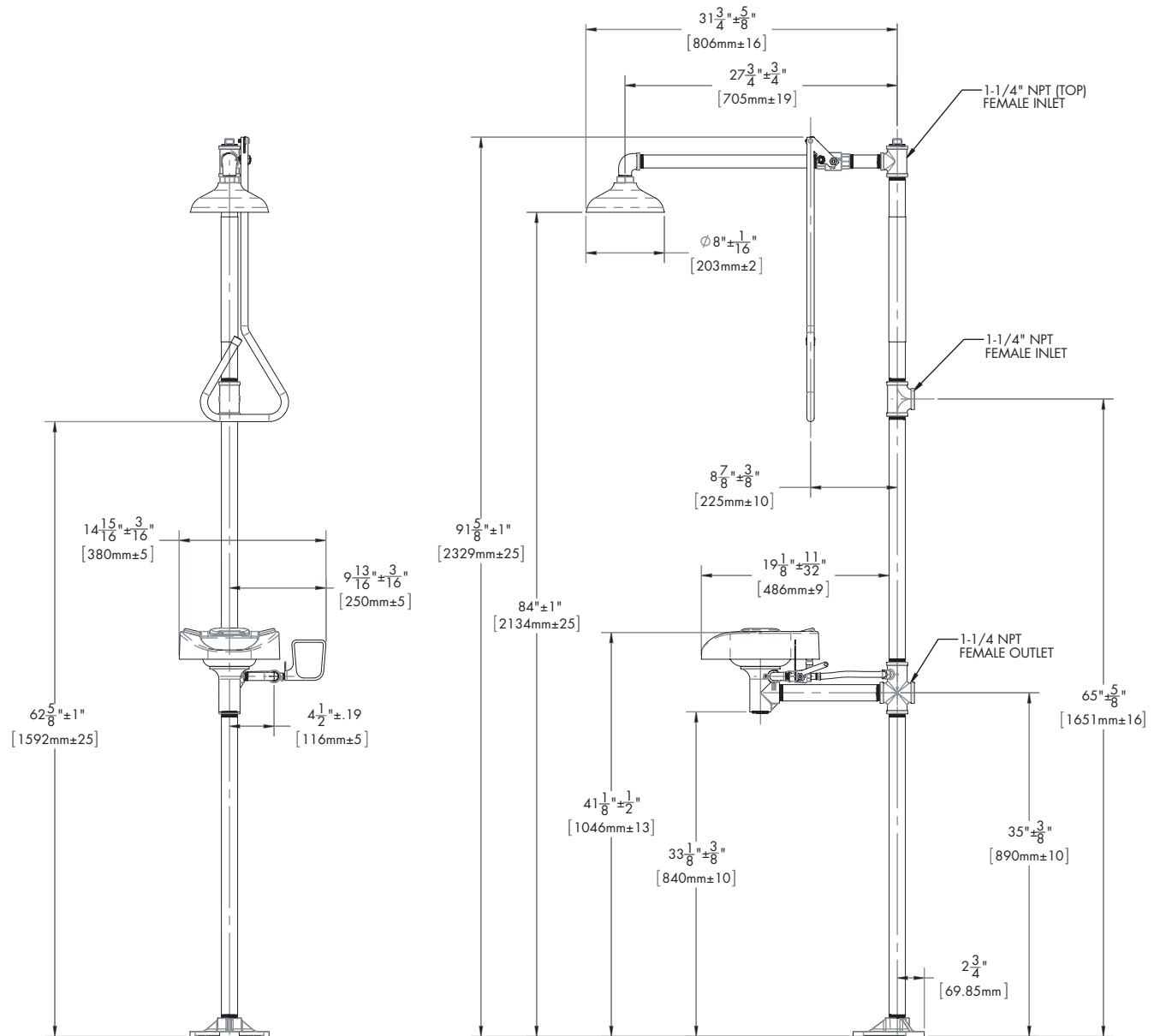
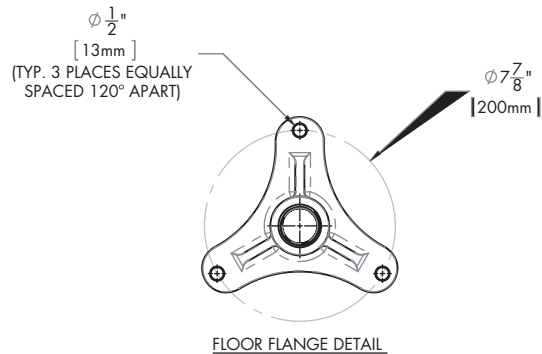
## SE-1200/1250/1255 SHOWER FLOW DATA

PRESSURE		FLOW RATE	
psi	bar	gpm	L/min
30	2.07	20	75
60	4.14	25	94

## SE-1200/1250/1255 EYE/FACEWASH FLOW DATA

PRESSURE		FLOW RATE	
psi	bar	gpm	L/min
30	2.07	4.9	18.5
60	4.14	5.0	18.9

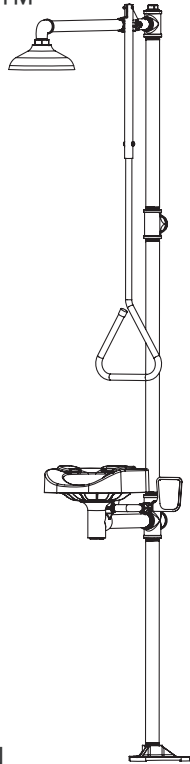
**NOTE:** ALL UNITS MEET EXISTING ANSI Z358.1 STANDARDS AND OSHA RULES. PRODUCT IMPROVEMENTS MAY CAUSE SPECIFICATION AND DIMENSIONAL CHANGES WITHOUT NOTICE.



## INSTRUCTIONS FOR MODELS

# OPTIMUS™

SE-1200  
SE-1250  
SE-1255



ADA INSTALLATION  
(FOR STANDARD INSTALLATION SEE PAGE 6)

### NEED HELP?

For additional assistance or service please contact:

**SPEAKMAN®** Company  
400 Anchor Mill Road  
New Castle, DE 19720

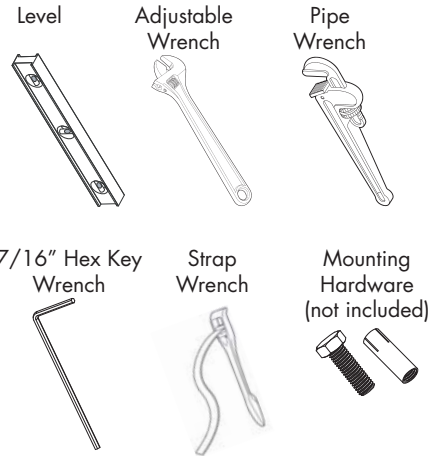
800-537-2107

customerservice@speakmancompany.com

www.speakmancompany.com

92-SE-1200-1255-R2

## TOOLS AND SUPPLIES



### IMPORTANT

ANSI Z358.1 requires that all safety emergency equipment shall be activated on a weekly basis to flush the line and verify proper operation. **SPEAKMAN** furnishes a testing record tag (91-0635) with each unit. On this tag, the date of inspection and the inspector's initials should be noted. ANSI Z358.1 specifies that the height of the spray heads is to be between 33" - 45" from the floor. Use Thread Locker or Sealant on all threaded connections. Be sure the Unit is level and plum.

### SAFETY TIPS

Cover your drain to prevent loss of parts. Always wear eye protection.

### MAINTENANCE

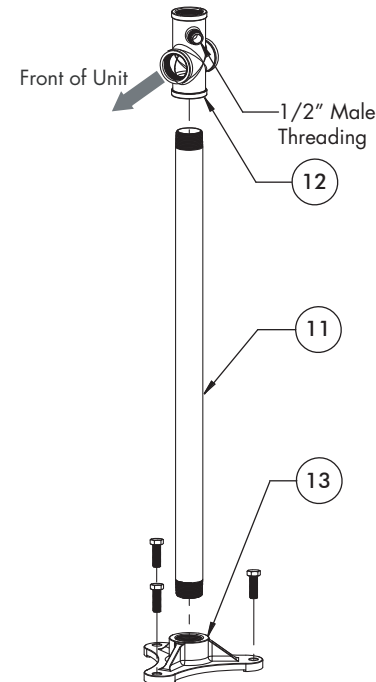
Should you need parts to repair this unit, please reference the parts listing for correct repair part number. Before any maintenance is done, be sure to shut the water supply off. Use only genuine **SPEAKMAN** parts when repairing or replacing components. To order parts, call 1-800-537-2107.

### WARRANTY

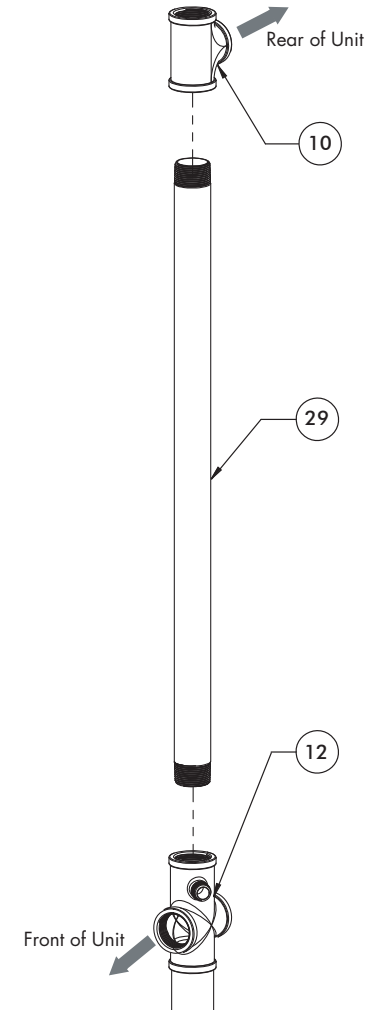
3 year limited warranty.  
Additional warranty information can be found at:  
www.speakmancompany.com

- 1 For Standard installation see Page 1.  
 Use Thread Locker or Sealant on ALL threaded connections

- At desired location, mount Floor Flange (13) on a flat, level surface using suitable anchors, making sure that one of the three ears on the Floor Flange is positioned at what will be the front of the Stanchion.
- The Unit should be placed so that there is sufficient unobstructed area around the Stanchion.
- Assemble 1-1/4" x 26-7/16" Pipe (11) to Floor Flange (13).
- Thread 1-1/4" x 1/2" Drain/Supply Cross (12) onto Pipe (11). Side Outlets should face the front and back of the Unit, and the 1/2" male threaded outlet upward at 45° to the right side of the Unit.

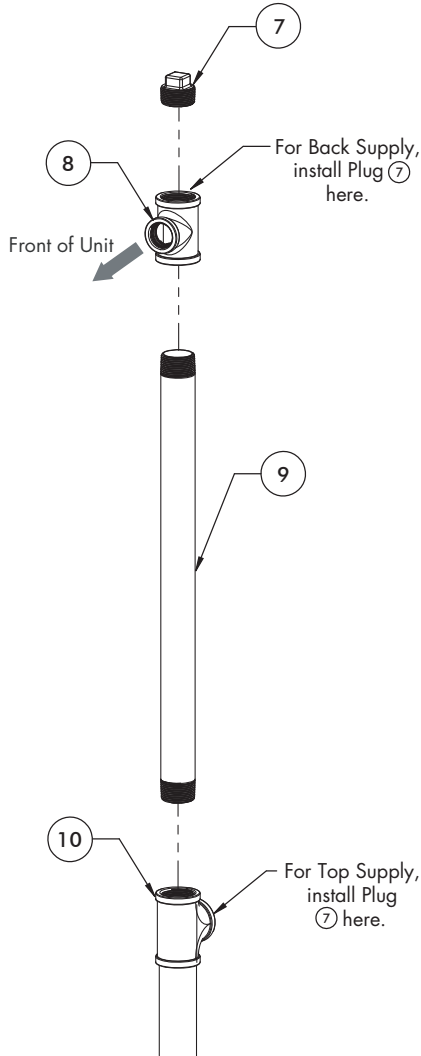


- 2 Assemble 1-1/4" x 32-3/8" Pipe (29) to Drain/Supply Cross (12). Assemble 1-1/4" Tee (10) to Pipe (29).  
 Assure the Side Outlet portion of the Tee is facing the rear of the Unit.



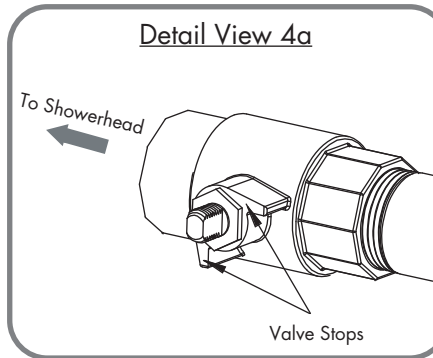
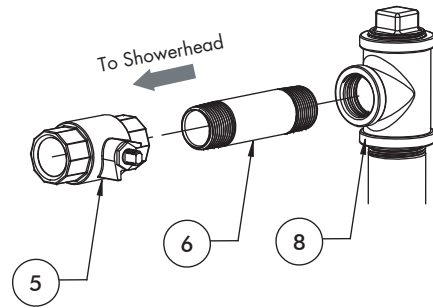
3

- If water supply is coming from above Unit, install Plug 7 into side outlet of Tee 8.
- If water supply is coming from behind Unit, install Plug 7 into top outlet of Tee 8.



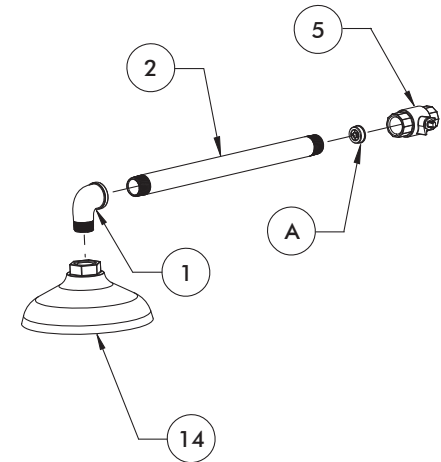
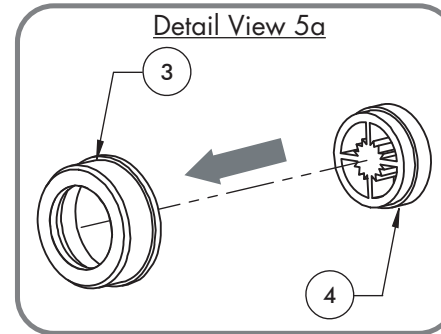
4

- Assemble 1" x 4-1/2" Pipe 6 into Side Outlet of Tee 8. Review View 4a below to understand the orientation of Ball Valve 5.
- Assemble 1" Ball Valve 5 onto Pipe 6. Valve Stops must be aligned correctly in order for the Pull Handle to operate properly.



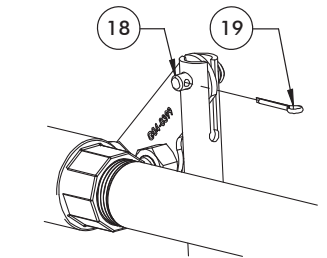
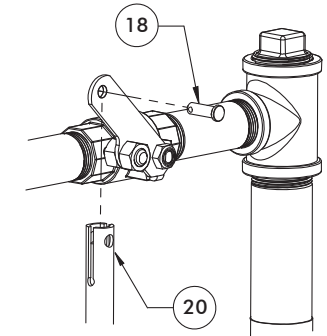
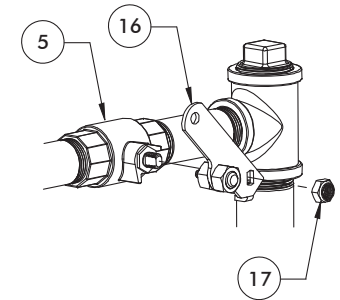
5

- Insert Flow Control 4 into Floet Housing 3, referring to Detail View 5a.
- Insert Flow Control Assembly A into end of 1" x 17-5/8" Pipe 2, so that the flange of Floet Housing 3 is fully seated in the end of Pipe.
- Install Pipe 2 with Flow Control Assembly A into Ball Valve 5.
- Assemble Elbow 1 to Pipe 2 being sure to orient Elbow 1 so that the outlet is facing down.
- Assemble Showerhead 14 to Elbow 1.



6

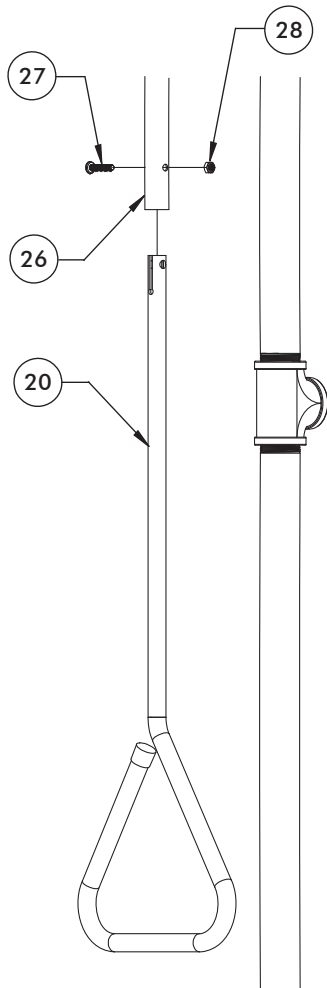
- Assemble the Lever Handle Assembly 16 to Ball Valve 5 using Nylo-Hex Nut 17, being sure to orient the Handle as shown below.
- Insert the slot in the Pull Rod 20 over the Lever Handle Assembly 16 and insert Pin 18.
- Secure Pin 18 with Cotter Pin 19.





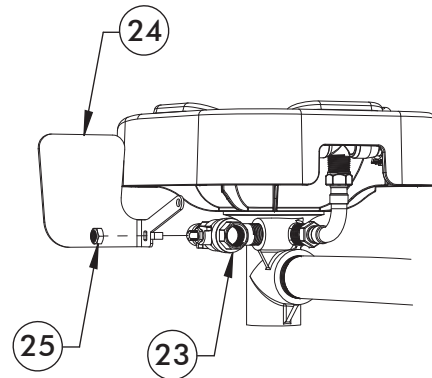
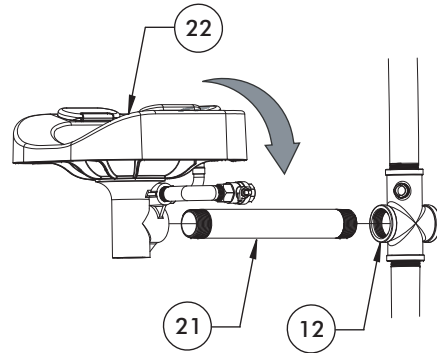
7

- Assemble Pull Rod (20) to Pull Rod Extension (26) using Machine Screw (27) and Nylo-Hex Nut (28).



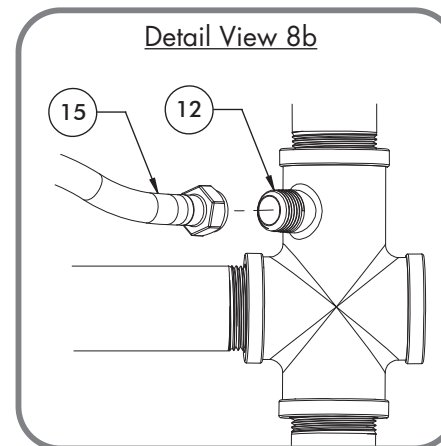
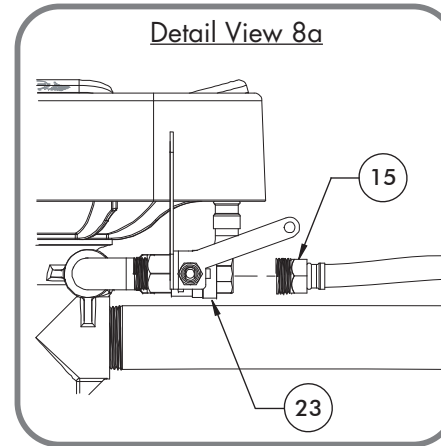
8

- Thread Pipe (21) into Drain/Supply Cross (12).
- Thread entire Bowl Assembly (22) to Pipe (21), being sure Bowl is level, plumb, and horizontal when completely secured.
- Install Paddle Handle (24) to Ball Valve (23) using Nylo-Hex Nut (25).



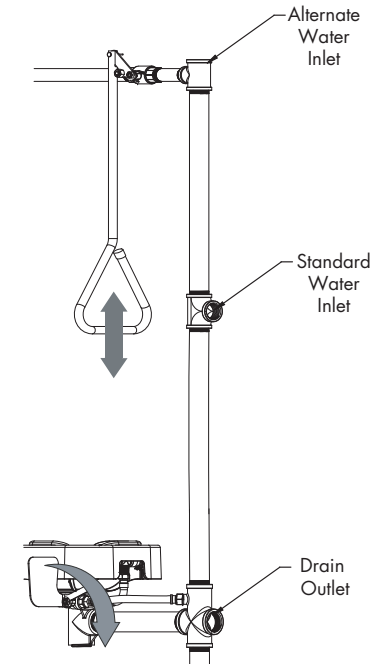
9

- Assemble male end of Flex Hose (15) to Ball Valve (23) (Detail View 8a).
- Assemble female end of Flex Hose (15) to Drain/Supply Cross (12) (Detail View 8b).



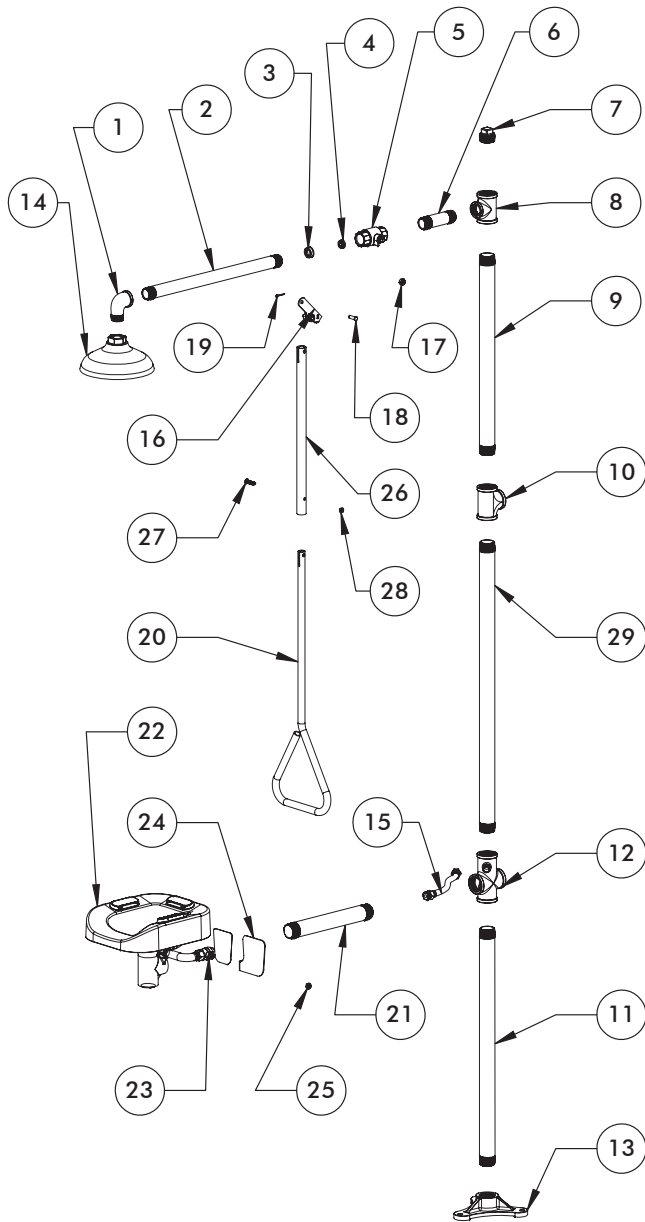
10

- Connect an uninterruptible potable water supply with a minimum of 30psi flowing pressure to Water Inlet. Failure to use potable water can result in further injury.
- Connect an adequate drain to Drain Outlet that complies with all local plumbing codes.
- Turn on water supply and check connections for leaks.
- To test the Eye/Face Wash, and for subsequent operation, push the Paddle Handle forward 90°. The unit will operate until the Paddle Handle is manually pulled back to the OFF position.
- To test the Shower, and for subsequent operation, pull the Pull Rod down. The unit will operate until the Pull Rod is manually pushed back to the OFF position.





ADA INSTALLATION EXPLODED VIEW / REPAIR PART GROUPS



Item No.	Description	Qty.
1	1" x 90° Galv. Street Elbow	1
2	1" x 19-3/8" Galv. Pipe, TBE	1
3	Rubber Floet Housing	1
4	20 GPM Flow Control	1
5.1	1" Chrome Plated Brass Ball Valve	1
5.2	1" Stainless Steel Ball Valve	
6	1" 4-1/2" Galv. Pipe, TBE	1
7	1-1/4" Galv. Plug	1
8	1-1/4" x 1-1/4" x 1" Galv. Tee	1
9	1-1/4" x 22-1/4" Galv. Pipe, TBE	1
10	1-1/4" Galv. Tee	1
11	1-1/4" x 26-7/16" Galv. Pipe, TBE	1
12	1-1/4" x 1/2" Galv. Drain/Supply Cross	1
13	1-1/4" Galv. Floor Flange	1
14	8" Deluge Showerhead	1
15	Stainless Steel Flexible Supply Hose	1
16.1	Lever Handle w/Spring Plunger (SE-1200/SE-1250)	1
16.2	Lever Handle w/Spring Plunger (SE-1255)	1
17	7/16-20 UNF Stainless Steel Nylo-Hex Nut	1
18	Clevis Pin	1
19	Cotter Pin	1
20.1	29" Aluminum Pull Rod	1
20.2	29" Stainless Steel Pull Rod	1
21	1-1/4" x 11-5/8" Galv. Pipe, TBE	1
22	Eyewash Unit	1
22.1	Plastic Bowl, Chrome Plated Brass Ball Valve (SE-1	1
22.2	S/S Bowl, Chrome Plated Brass Ball Valve	1
22.3	S/S Bowl, Stainless Steel Ball Valve	1
23	1/2" Ball Valve	1
23.1	1/2" Chrome Plated Brass Ball Valve (SE-1200/1250)	1
23.2	1/2" Stainless Steel Ball Valve (SE-1255)	1
24	Paddle Handle	1
25	3/8" Stainless Steel Nylo-Hex Nut	1
26.1*	Aluminum Pull Rod Extension (SE-1200/SE-1250 ADA Only)	1
26.2*	Stainless Steel Pull Rod Extension (SE-1255 ADA only)	1
27*	1-1/2" Long 1/4-20 Machine Screw	1
28*	1/4-20 Stainless Steel Nylo-Hex Nut	1
29	1-1/4" x 32-3/8" Galv. Pipe, TBE	1

\*ADA Installation only

REPAIR PARTS

Item No.	Part No.	Description
5	SE-911	1" Ball Valve
5	SE-911-SS	1" Stainless Steel Ball Valve SE-1255 Only
14	SE-870	8" Plastic Showerhead
14	SE-880	8" Stainless Steel Showerhead
20.1	RPG47-0046	Aluminum Pull Rod (With ADA Extension)
20.2	RPG47-0044	S/S Pull Rod (With ADA Extension)
22.1	SE-1000	PlasticBowl, Chrome Plated Brass Ball Valve
22.2	SE-1050	S/S Bowl, Chrome Plated Brass Ball Valve
22.3	SE-1055	S/S Bowl, Stainless Steel Ball Valve (SE-1255 only)
15	RPG63-0094	Stainless Steel Supply Hose

# ADA INSTALLATION ROUGH-IN DIMENSIONS

## SE-1200/1250/1255 SHOWER FLOW DATA

PRESSURE		FLOW RATE	
psi	bar	gpm	L/min
30	2.07	20	75
60	4.14	25	94

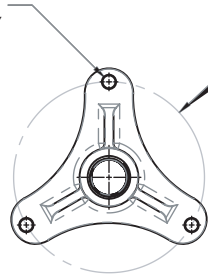
## SE-1200/1250/1255 EYE/FACEWASH FLOW DATA

PRESSURE		FLOW RATE	
psi	bar	gpm	L/min
30	2.07	4.9	18.5
60	4.14	5.0	18.9

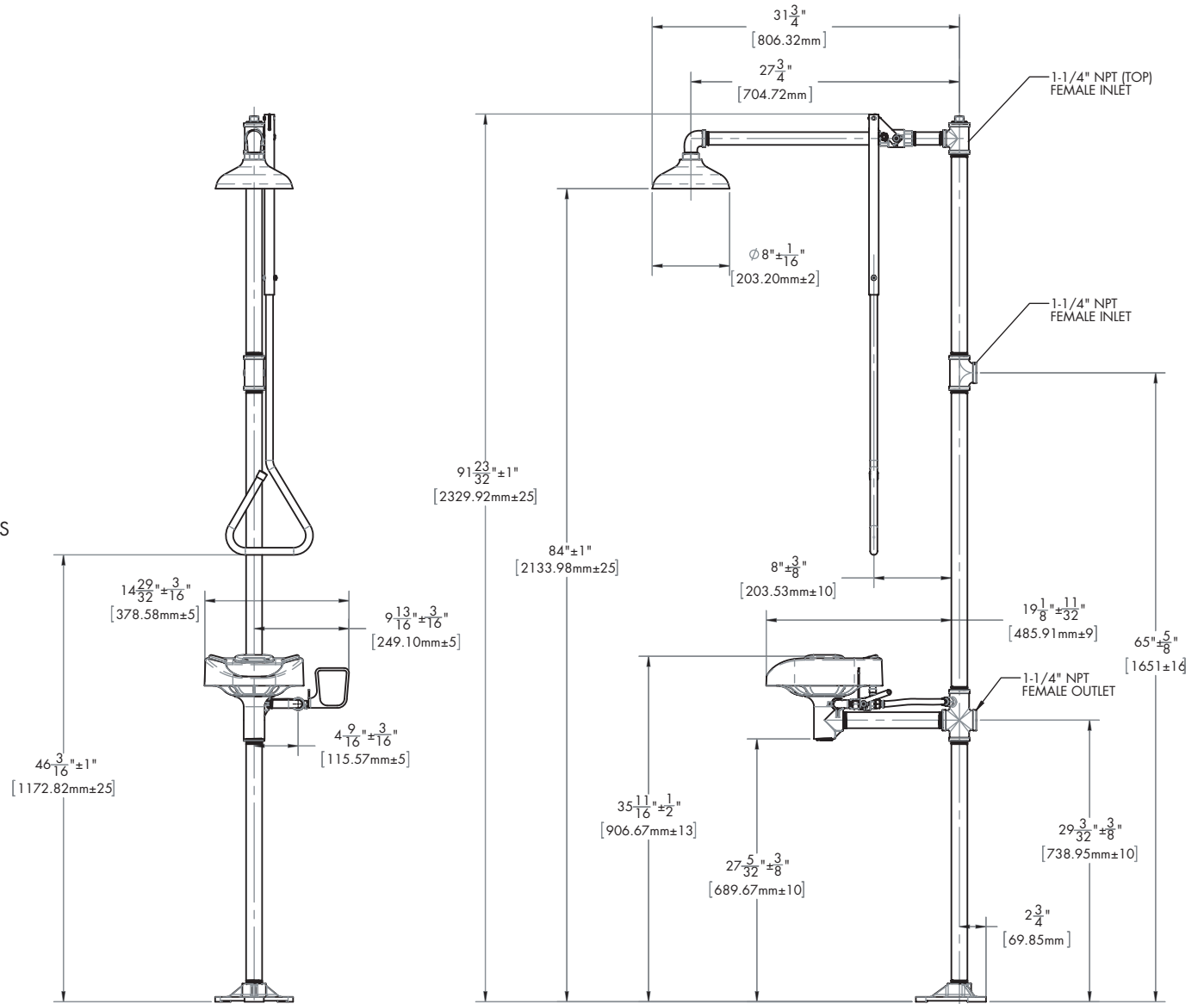
**NOTE:** ALL UNITS MEET EXISTING ANSI Z358.1 STANDARDS AND OSHA RULES. PRODUCT IMPROVEMENTS MAY CAUSE SPECIFICATION AND DIMENSIONAL CHANGES WITHOUT NOTICE.

$\phi \frac{1}{2}$ "  
[13mm]  
(TYP. 3 PLACES EQUALLY  
SPACED 120° APART)

$\phi \frac{7}{8}$ "  
[200mm]

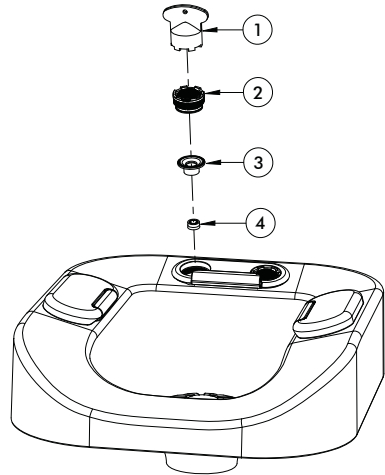


FLOOR FLANGE DETAIL



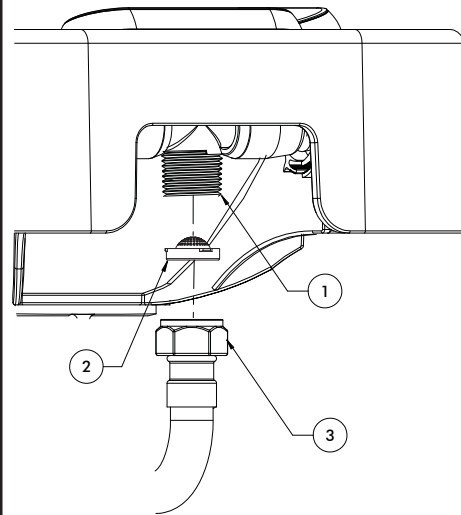
### To Clean the Aerated Outlets:

Using the Aerator Wrench ①, remove the Aerator ②. The Flow Control Housing ③ will come out next, with the Flow Control ④ inside of it. Remove the Flow Control and check for debris surrounding the o-ring. Flush with clean water. Check the mesh on the back of the Aerator for debris. Flush with clean water.



### To Clean the In-Line Strainer:

Begin by removing Supply Hose ③ from Hose Manifold Tee ①. The Strainer ② will be located inside the threading of Supply Hose ③. Remove Strainer ② and check for debris. Flush with clean water.



### To Clean the Non-Aerated Outlets:

Begin by removing the Hose Clamp ①, then remove Hose ② from Housing ④. Flow Control ③ can be seen inside Housing ④ at this point. Remove Flow Control and check for debris surrounding the o-ring. Flush with clean water.

