

Optimus® Combination Shower, Eye and Face Wash System

EYEWASH FEATURES:

- Independent eyewash and face wash integrated into one, multi-functioning safety unit
- (2) Dedicated aerated eyewash sprays & (2) face pads for full face cleansing with flip top dust caps
- Patented rectangular stainless steel bowl
- Stainless steel push handle activation
- Chrome plated 1/2" NPT female brass valve
- 1/2" NPT female inlet
- Integral in-line strainer prevents debris from clogging spray heads
- 4.9 GPM (18.55 L/min) @ 30 PSI flow rate

SHOWER FEATURES:

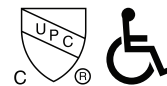
- 8" stainless steel high performance emergency showerhead with integral flow control which drains so water doesn't collect and freeze after use
- High visibility yellow aluminum pull rod activator with optional ADA extension
- 1" NPT female brass, chrome-plated, full flow stay-open ball valve
- 1-1/4" NPT female top or side supply
- 1-1/4" NPT female waste
- Elevated drain to support easier testing and eliminate trip hazards
- 20 GPM (75.71 L/min) @ 30 PSI flow rate
- 1-1/4" IPS galvanize steel piping stanchion
- DuraJade™ powder coat finish on stanchion for durability & enhanced corrosion resistance
- Includes all components necessary to be installed in either standard or ADA height configurations
- Universal emergency sign included

OPTIONS:

- FPV: Freeze protection valve
- HFO: Hand/foot operation
- HS: Hand held drench hose
- ILS: In-line strainer for 1/2" IPS piping
- PT: P-Trap
- SPV: Scald protection valve
- SPR: Stainless steel pull rod
- SSH: Stainless steel shower head

ADD-ONS:

- OCV: Optimus® dust cover
- STW-350: Safe-T-Zone® Thermostatic mixing valve
- STW-362: Safe-T-Zone® Thermostatic mixing valve



Information continues on next page

**ENSURE YOU ARE ANSI/ISEA Z358.1
Tepid Water Compliant
by incorporating a Speakman
Thermostatic Mixing Valve.**



• **STW-362:** 38.0 GPM @ 30 PSI capacity Thermostatic Mixing Valve, supports 1 Emergency Combination Station

• **STW-350:** 62.5 GPM @ 30 PSI capacity Thermostatic Mixing Valve, supports 2 Emergency Combination Stations.

Optimus® Combination Shower, Eye and Face Wash System

STANDARDS:

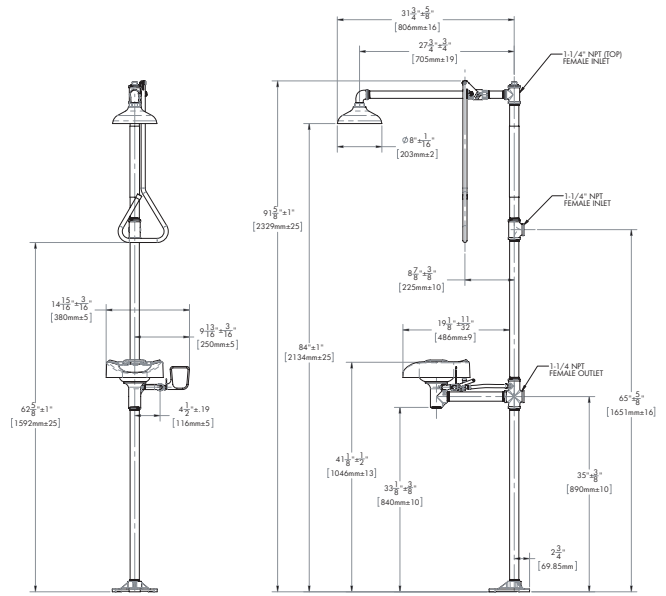
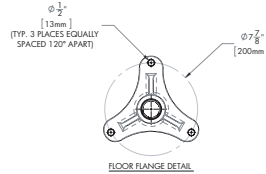
- ANSI/ISEA Z358.1 certified
- Wheelchair accessible when installed accordingly

WARRANTY:

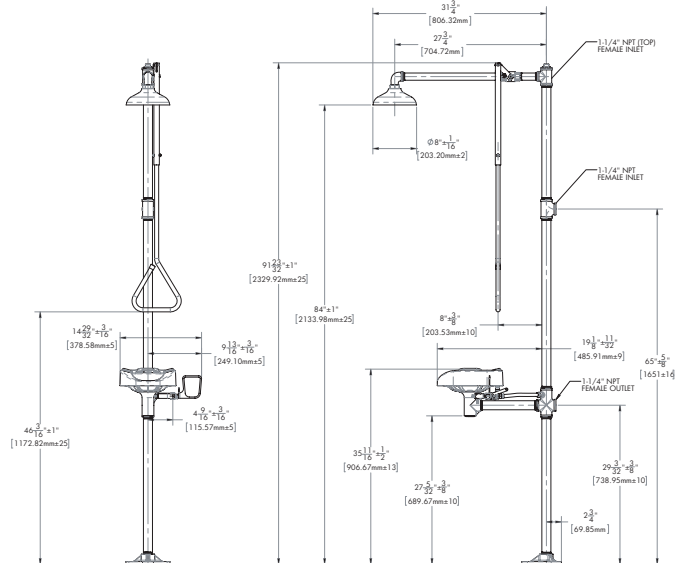
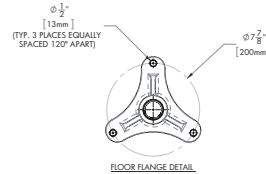
Visit www.speakman.com for full product warranty information

- 3 Year Limited Warranty (commercial)

SE-1200 / 1250 / 1255 STANDARD



SE-1200 / 1250 / 1255 ADA



All dimensions are in inches (millimeters) unless otherwise specified and are subject to change without notice.

Combination Shower and Eye and Face Wash features an independent eye wash and face wash integrated into one, multi-functioning safety unit. The eye wash shall have aerated sprays and the face pads shall provide full face coverage. Each component shall meet performance standards while operating together. The eye and face wash sprays shall have an integral in-line strainer, automatic flow controls, flip top covers and have a combined minimum flow rate of 4.9 GPM @ 30 PSI. Eye-wash shall be activated via a stainless steel push handle.

The shower stanchion shall be Durajade™ coated galvanized steel and can be supplied with either a vertical or horizontal supply. The stanchion shall include an integral drain positioned at 35" from the floor/ground. A yellow aluminum high visibility pull rod activates the stay-open shower valve.

The shower shall include all components to be installed in either standard or ADA Wheelchair Accessible height.

Product shall have a 3-year limited warranty and be certified to ANSI Z358 1 Product

Architect/Engineer Approval Space:

P: 800-537-2107
 F: 800-977-2747
 W: WWW.SPEAKMAN.COM
 R: 02-NOVEMBER 2019