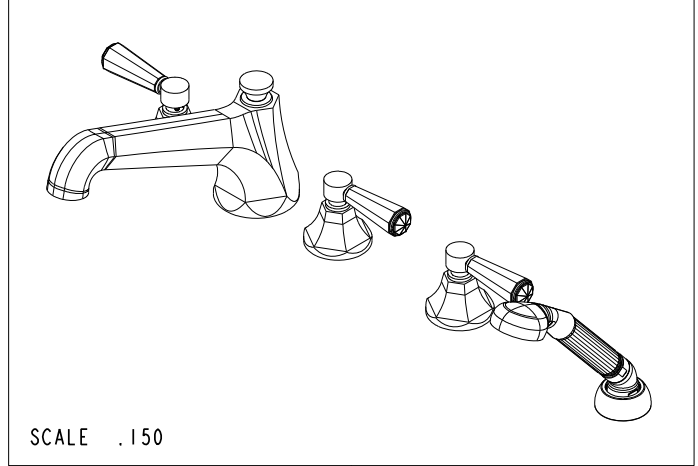
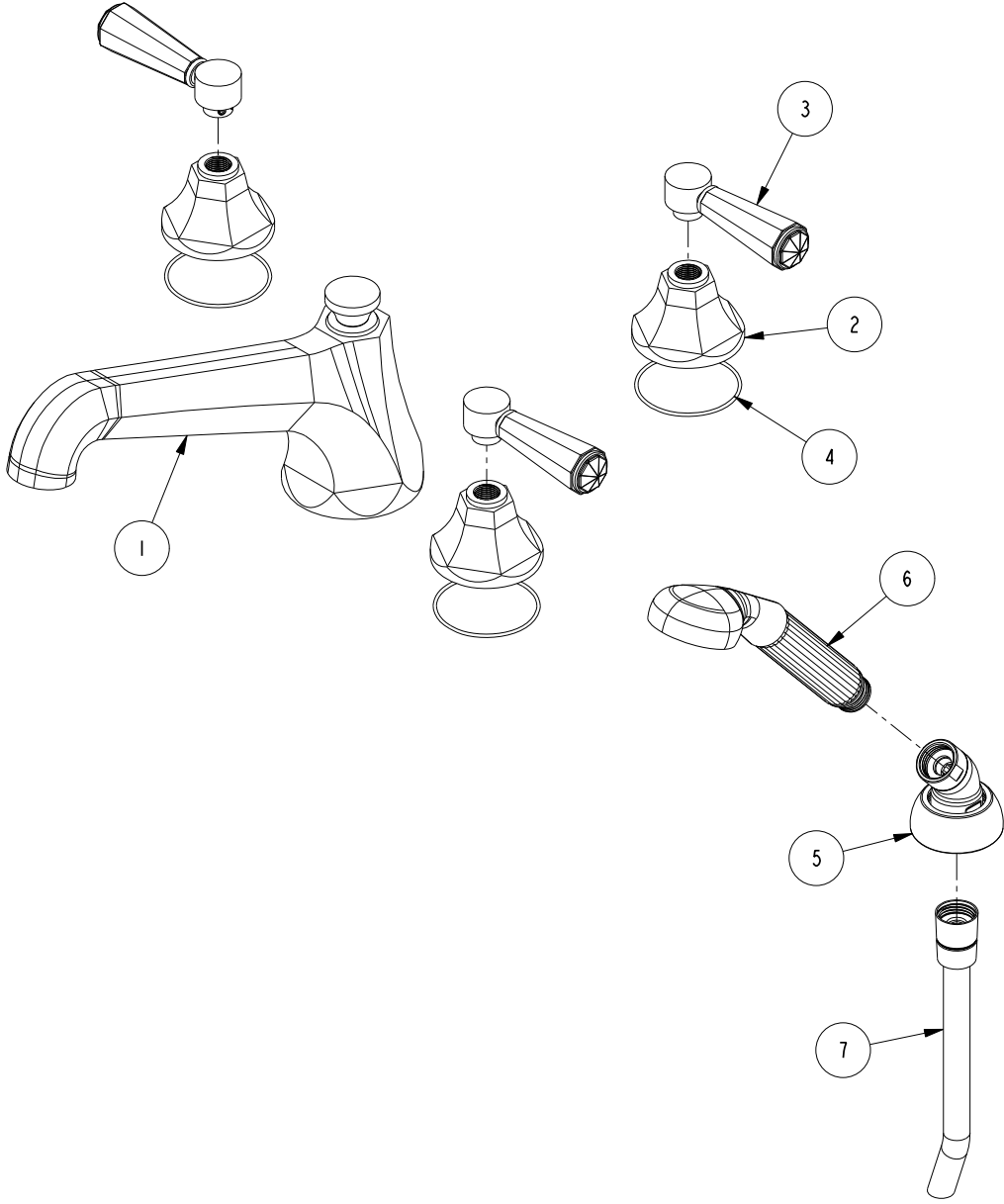


BILL OF MATERIAL (CURRENT LEVEL)				
ITEM	PT/ASSY	DESCRIPTION	TYPE	QTY.
1	2-162	R/T SPOUT ASM	ASSEMBLY	1
2	10960	HEX ESCUTCHEON	PART	3
3	2-876	CRYSTAL HANDLE LEVER ASM	ASSEMBLY	3
4	91386	O-RING, #2-034, EPDM, 65-75 DURO	PART	3
5	6-289	DECK FLANGE TRIM	ASSEMBLY	1
6	280	HAND SHOWER WITH GROOVE	ASSEMBLY	1
7	284	59 IN. SPIRAL SHOWER HOSE	ASSEMBLY	1



COPYRIGHT 2005 BRASSTECH, INC. THESE DRAWINGS AND THE DESIGNS DEPICTED HEREIN ARE THE PROPRIETARY PROPERTY OF BRASSTECH. ANY USE OR REPRODUCTION IS SUBJECT TO THE EXPRESS APPROVAL OF BRASSTECH. UNAUTHORIZED USE IS STRICTLY PROHIBITED. ALL RIGHTS RESERVED.

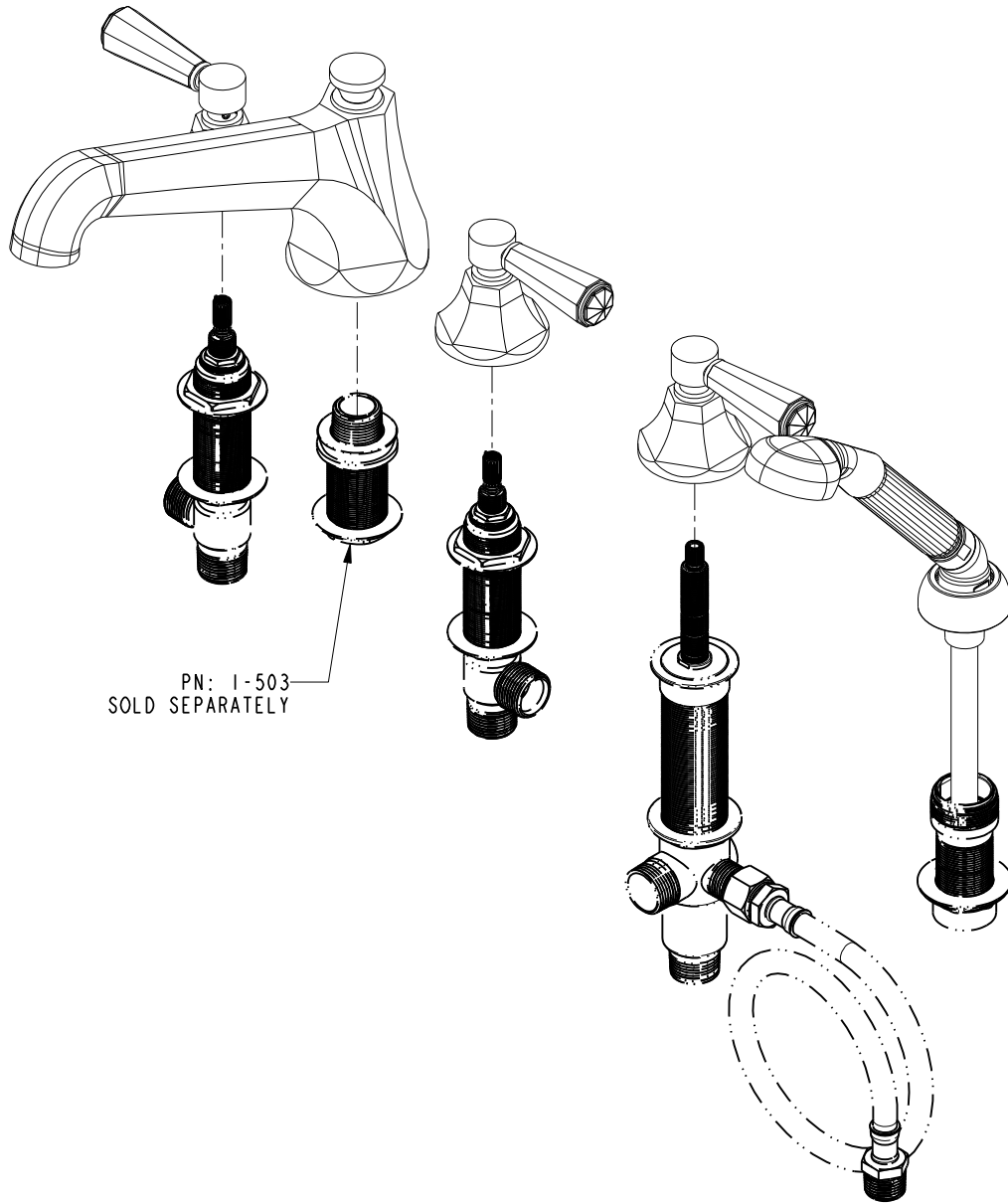
BRASSTECH
INCORPORATED

2001 E. CARNEGIE AVE.
SANTA ANA, CA 92705
(949) 417-5207

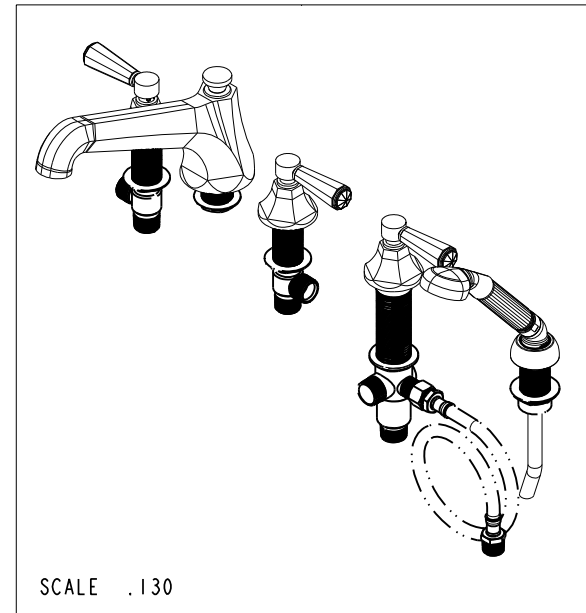
ROMAN TUB FAUCET W/ HANDSHOWER

ASSY. NO.	3-1237		-	-	-
SCALE	.250	REF.	-	REV	EN-2415
SHEET	1	OF	3	REV DESC	06/11/13
					DATE

SPECIFICATION DWG



PN: 1-503
SOLD SEPARATELY



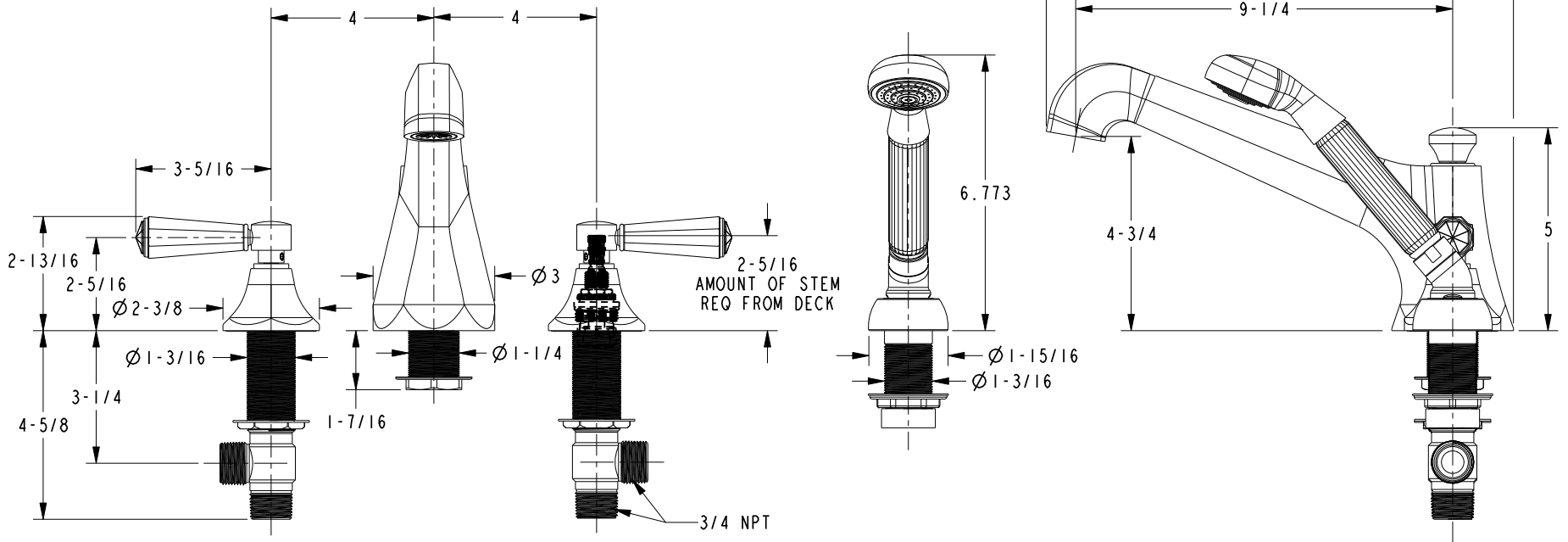
SCALE .130

DIMENSIONS ARE IN INCHES AND AN APPROXIMATION OF A TYPICAL INSTALLATION

COPYRIGHT 2005 BRASSTECH, INC. THESE DRAWINGS AND THE DESIGNS DEPICTED HEREIN ARE THE PROPRIETARY PROPERTY OF BRASSTECH. ANY USE OR REPRODUCTION IS SUBJECT TO THE EXPRESS APPROVAL OF BRASSTECH. UNAUTHORIZED USE IS STRICTLY PROHIBITED. ALL RIGHTS RESERVED.

BRASSTECH		2001 CARNEGIE AVE. SANTA ANA, CA 92705 (949) 417-5207	
DWG NO.	3-1237		REV -
SCALE	.250	REF.	-
SHEET		2	OF 3

SPECIFICATION DWG



DIMENSIONS ARE IN INCHES AND AN APPROXIMATION OF A TYPICAL INSTALLATION

COPYRIGHT 2005 BRASSTECH, INC. THESE DRAWINGS AND THE DESIGNS DEPICTED HEREIN ARE THE PROPRIETARY PROPERTY OF BRASSTECH. ANY USE OR REPRODUCTION IS SUBJECT TO THE EXPRESS APPROVAL OF BRASSTECH. UNAUTHORIZED USE IS STRICTLY PROHIBITED. ALL RIGHTS RESERVED.

BRASSTECH		2001 CARNEGIE AVE. SANTA ANA, CA 92705 (949) 417-5207
DWG NO.	3-1237	REV -
SCALE	.250	REF. - SHEET 3 OF 3