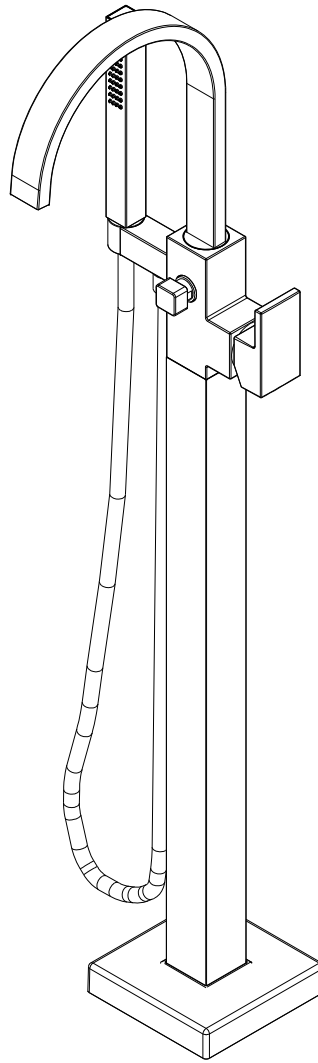


NOTES:

(NI) 1. FIT / FORM / FUNCTION SHALL FOLLOW PS-E.008.



BILL OF MATERIAL (CURRENT LEVEL)

ITEM	PT/ASSY	DESCRIPTION	TYPE	QTY.
1	20-309	BODY ASM	ASSEMBLY	1
2	12174	BODY	PART	1
3	2-932	SPOUT ASM	ASSEMBLY	1
4	12175	HAND SHWR HOLDER	PART	1
5	92821	SCREW	PART	1
6	12179	DIVERTER BUTTON	PART	1
7	1-292	CARTRIDGE	ASSEMBLY	1
8	12180	RETAINER CART. NUT	PART	1
9	12181	CAP, CARTRIDGE	PART	1
10	92035	SCRW, M4 X .7 X 10 PHL FLT HD SS	PART	1
11	12182	HANDLE	PART	1
12	92308	SCRW, M5 X 5 SKT HD CUP PT SS	PART	3
13	92827	SCREW	PART	2
14	12184	WATER SUPPLY HOSE	ASSEMBLY	2
15	12257	1/2 X 3/4 NPSM THD ADAPTER	PART	2
16	283-102	SQUARE WAND HANDSHOWER	ASSEMBLY	1
17	12189	ADAPTER	PART	1
18	91017	O-RING, #2- 012, EPDM, 65-75 DURO, PMSPT 61	PART	1
19	20-259	DIVERTER ASM	ASSEMBLY	1
20	20-260	DIVERTER ASM	ASSEMBLY	1
21	92070	SCRW, #14 X 2 SLT FLT HD SS	PART	3
22	91368	WALL ANCHOR PLASTIC, 12-1/4	PART	3
23	10159	HEX KEY, 3/32 ALLOY STEEL	PART	1
24	3-461	BASE COVER ASM	ASSEMBLY	1
25	284	SHOWER HOSE	PART	1
26	12825	HOLE COVER	PART	1

Page 1-3 DIAGRAM FOR ALL FINISHES, EXCLUDING 26, 15, AND 15S. See page 4-6 for item in 26, 15 & 15S

TESTING	-	-	-
ASSEMBLY	-	-	-
PLATING	-	-	-
POLISHING	-	NEXT ASSY	USED ON
MACHINING	-	APPLICATION	
TOOLING	FIXTURE #	REMOVE ALL BURRS AND SHARP EDGES	

UNITS ARE: INCHES [MM]  
 TOLERANCES ARE:  
 FRACTIONS DECIMALS ANGLES  
 ±1/16" .X ±.1 [2.5] ±1°  
 .XX ±.06 [1.5]  
 (X.XXX) DENOTES CRITICAL DIMS.  
 ALL THREADS ARE CRITICAL

**BRASSTECH** 2001 CARNEGIE AVE.  
 INCORPORATED SANTA ANA, CA 92705  
 (949) 417-5207

TUB FILLER, FREE STANDING-SECANT

ZONE	REV	DESCRIPTION	DATE	APPROVED
-	H	EN-3209	12/01/16	V.V.
-	G	EN-2895	06/08/15	V.V.
-	F	EN-2866	03/30/15	V.V.

COPYRIGHT 2005 BRASSTECH, INC.  
 THESE DRAWINGS AND THE DESIGNS  
 DEPICTED HEREIN ARE THE PROPRIETARY  
 PROPERTY OF BRASSTECH. ANY USE  
 OR REPRODUCTION IS SUBJECT TO  
 THE EXPRESS APPROVAL OF BRASSTECH.  
 UNAUTHORIZED USE IS STRICTLY  
 PROHIBITED. ALL RIGHTS RESERVED.

DRAWN H. LE 08/16/13  
 CHECKED V. VU 0816/13  
 APPROVED V. VU 08/16/13

DWG NO. 2040-4261  
 SCALE .150 REF. - SHEET 1 OF 4

NOTES:

2. APPLY LOCTITE 680.
3. TORQUE TO 7.5-8.5 LB-FT.
4. APPLY LOCTITE 242. IF SCREW DOES NOT HAVE NYLON PATCH.
5. TORQUE TO 18-20 LB-IN.
6. PLACE THESE ITEMS IN SEPERATE BAGS.
7. APPLY THIN COAT OF SILICON GREASE.

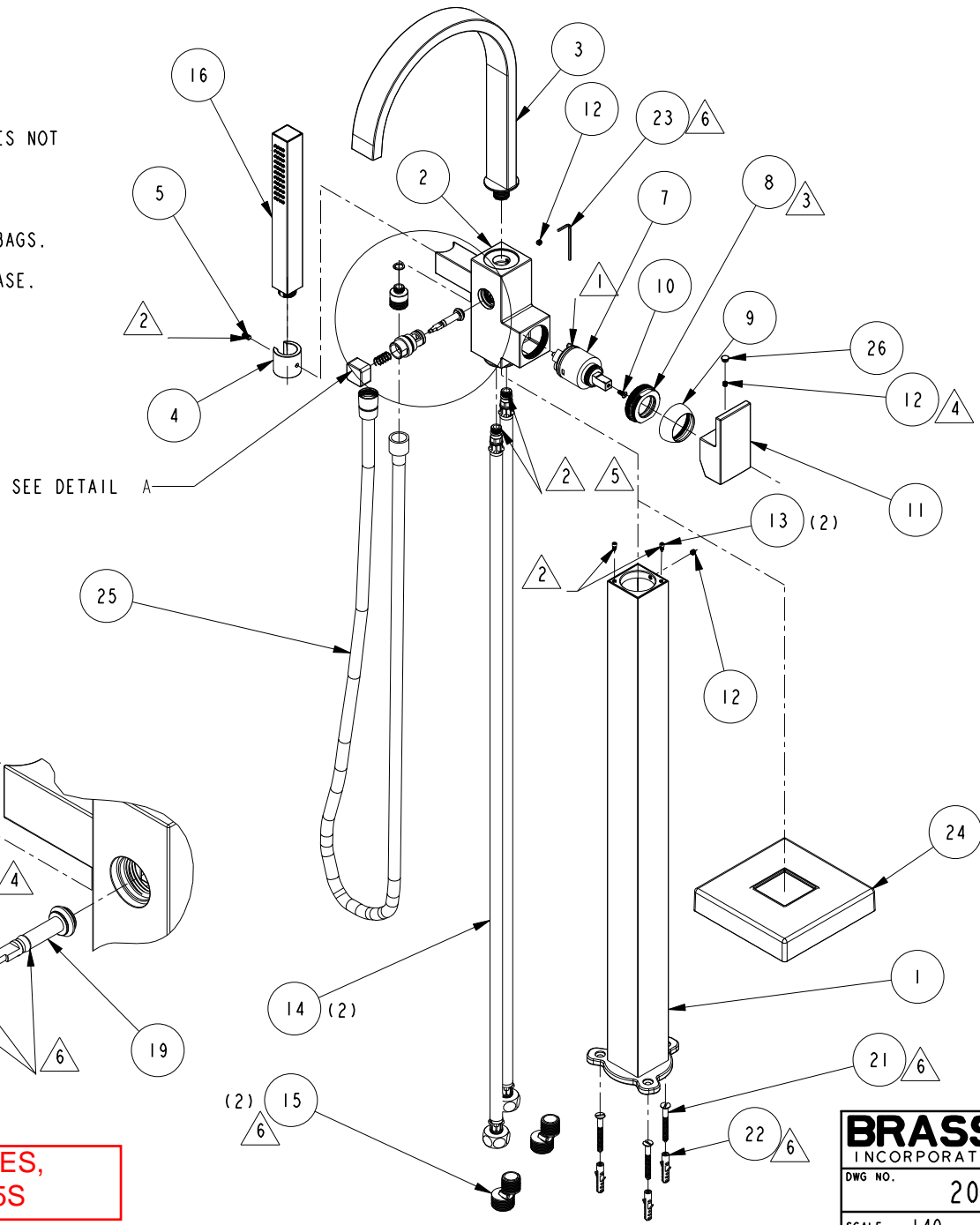


DIAGRAM FOR ALL FINISHES,  
EXCLUDING 26, 15, AND 15S

<b>BRASSTECH</b>		2001 E. CARNEGIE AVE. SANTA ANA, CA 92705 (949) 417-5207	
DWG NO.	2040-4261	REV	K
SCALE	.140	REF.	-
		SHEET	2 OF 4

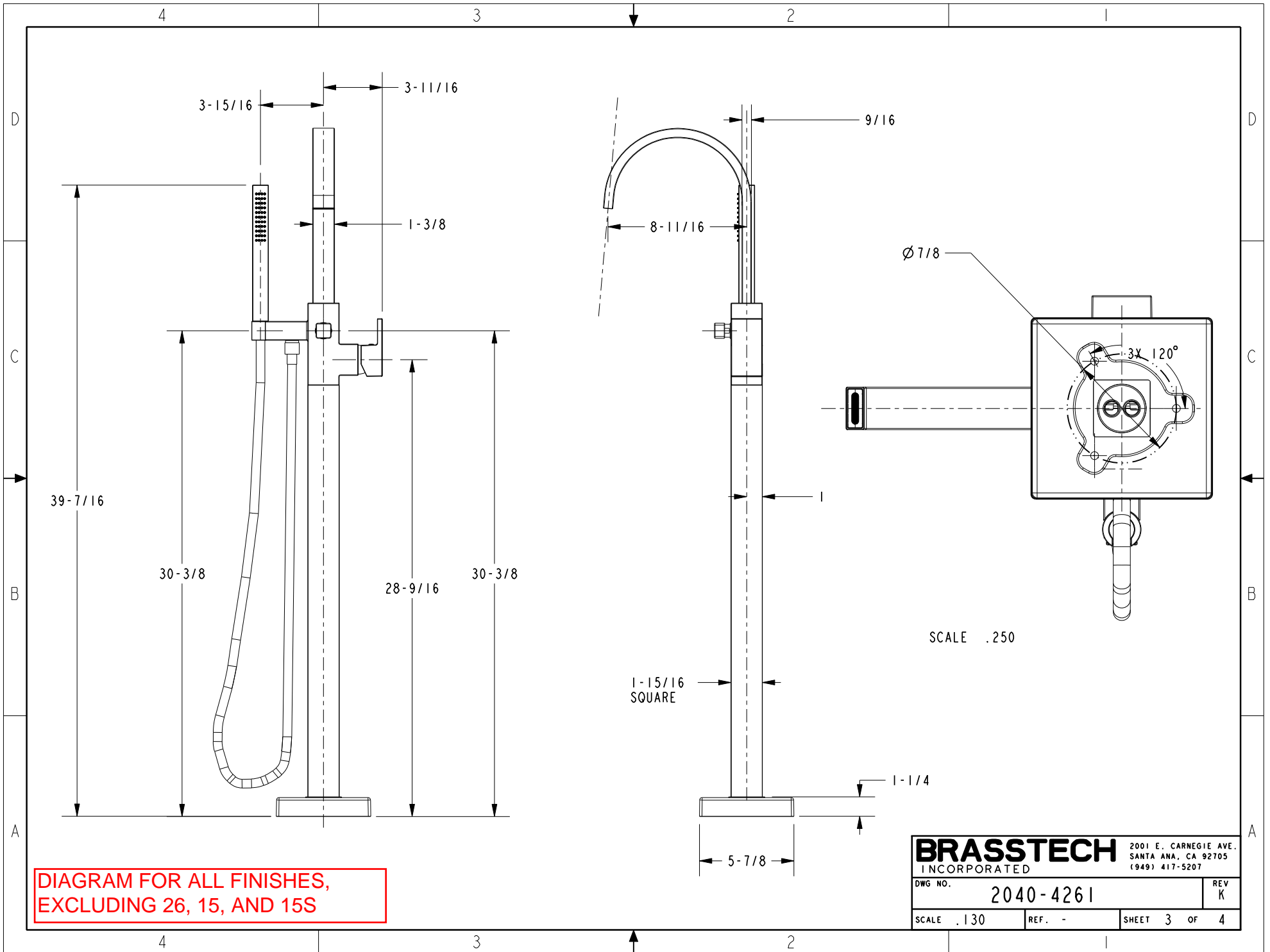
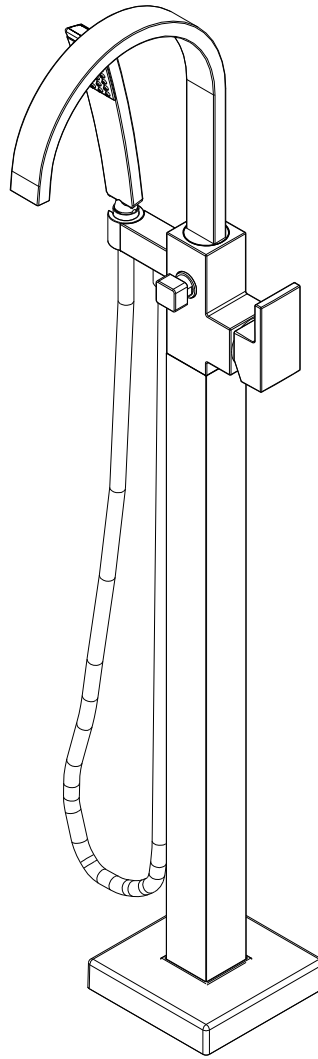


DIAGRAM FOR ALL FINISHES,  
 EXCLUDING 26, 15, AND 15S

<b>BRASSTECH</b>		2001 E. CARNEGIE AVE.	
INCORPORATED		SANTA ANA, CA 92705	
		(949) 417-5207	
DWG NO.	2040-4261	REV	K
SCALE .130	REF. -	SHEET 3	OF 4

NOTES:

- (NI) 1. FIT / FORM / FUNCTION SHALL FOLLOW PS-E.008.
- 2. APPLY LOCTITE 680.
- 3. APPLY LABEL 98045 ON THE BACK SIDE OF THE TUB FILLER.
- 4. APPLY LABEL 98136 ON THE BACK SIDE OF THE HAND SHOWER.
- 5. MARKING: "H C" (H ON TOP, C AT BOTTOM)".
- 6. THIS HOSE CAN BE REPLACED WITH 284.



**BILL OF MATERIAL (CURRENT LEVEL)**

ITEM	PT/ASSY	DESCRIPTION	TYPE	QTY.
1	2-931	BODY	ASSEMBLY	1
2	12175	HAND SHWR HOLDER	PART	1
3	92821	SCREW	PART	1
4	12179	DIVERTER BUTTON	PART	1
5	1-292	CARTRIDGE	ASSEMBLY	1
6	12180	RETAINER, CARTRIDGE	PART	1
7	12181	CAP, CARTRIDGE	PART	1
8	92825	SCREW, M4 x 0.7 x 10.5	PART	1
9	12182	HANDLE	PART	1
10	92826	SET SCREW, M5 x 0.8 x 5	PART	3
11	91621	HOLE COVER	PART	1
12	3-452	BODY ASM	ASSEMBLY	1
13	92827	SCREW	PART	2
14	12184	WATER SUPPLY HOSE	ASSEMBLY	2
15	3-453	HAND SHOWER ASM	ASSEMBLY	1
16	92830	HEX KEY	PART	1
17	12186	SHOWER HOSE	PART	1
18	1-293	MOUNTING SCREW SET	ASSEMBLY	1
19	3-461	BASE COVER ASM	ASSEMBLY	1
20	2-914	DIVERTER ASM	ASSEMBLY	1
21	12257	1/2 X 3/4 NPSM THD ADAPTER	PART	2
22	98045	LABEL	PART	1
23	98136	LABEL	PART	1
24	2-932	SPOUT ASM	ASSEMBLY	1

**DIAGRAM FOR 26, 15, AND 15S FINISHES ONLY**

TESTING	-	-	-
ASSEMBLY	-	-	-
PLATING	-	-	-
POLISHING	-	NEXT ASSY	USED ON
MACHINING	-	APPLICATION	
TOOLING FIXTURE #	REMOVE ALL BURRS AND SHARP EDGES		

UNITS ARE: INCHES [MM]  
 TOLERANCES ARE:  
 FRACTIONS DECIMALS ANGLES  
 $\pm 1/16"$  .X  $\pm .1$  [2.5]  $\pm 1^\circ$   
 .XX  $\pm .06$  [1.5]  
 (X.XXX) DENOTES CRITICAL DIMS.  
 ALL THREADS ARE CRITICAL

**BRASSTECH** 2001 CARNEGIE AVE.  
 INCORPORATED SANTA ANA, CA 92705  
 (949) 417-5207

**TUB FILLER, FREE STANDING-SECANT**

-	H	EN-3209	12/01/16	V.V.
-	G	EN-2895	06/08/15	V.V.
-	F	EN-2866	03/30/15	V.V.
ZONE	REV	DESCRIPTION	DATE	APPROVED

COPYRIGHT 2005 BRASSTECH, INC.  
 THESE DRAWINGS AND THE DESIGNS  
 DEPICTED HEREIN ARE THE PROPRIETARY  
 PROPERTY OF BRASSTECH. ANY USE  
 OR REPRODUCTION IS SUBJECT TO  
 THE EXPRESS APPROVAL OF BRASSTECH.  
 UNAUTHORIZED USE IS STRICTLY  
 PROHIBITED. ALL RIGHTS RESERVED.

DRAWN	H. LE	08/16/13
CHECKED	V. VU	0816/13
APPROVED	V. VU	08/16/13

DWG NO.	2040-4261	REV	H
SCALE	.150	REF.	-
SHEET	1	OF	4

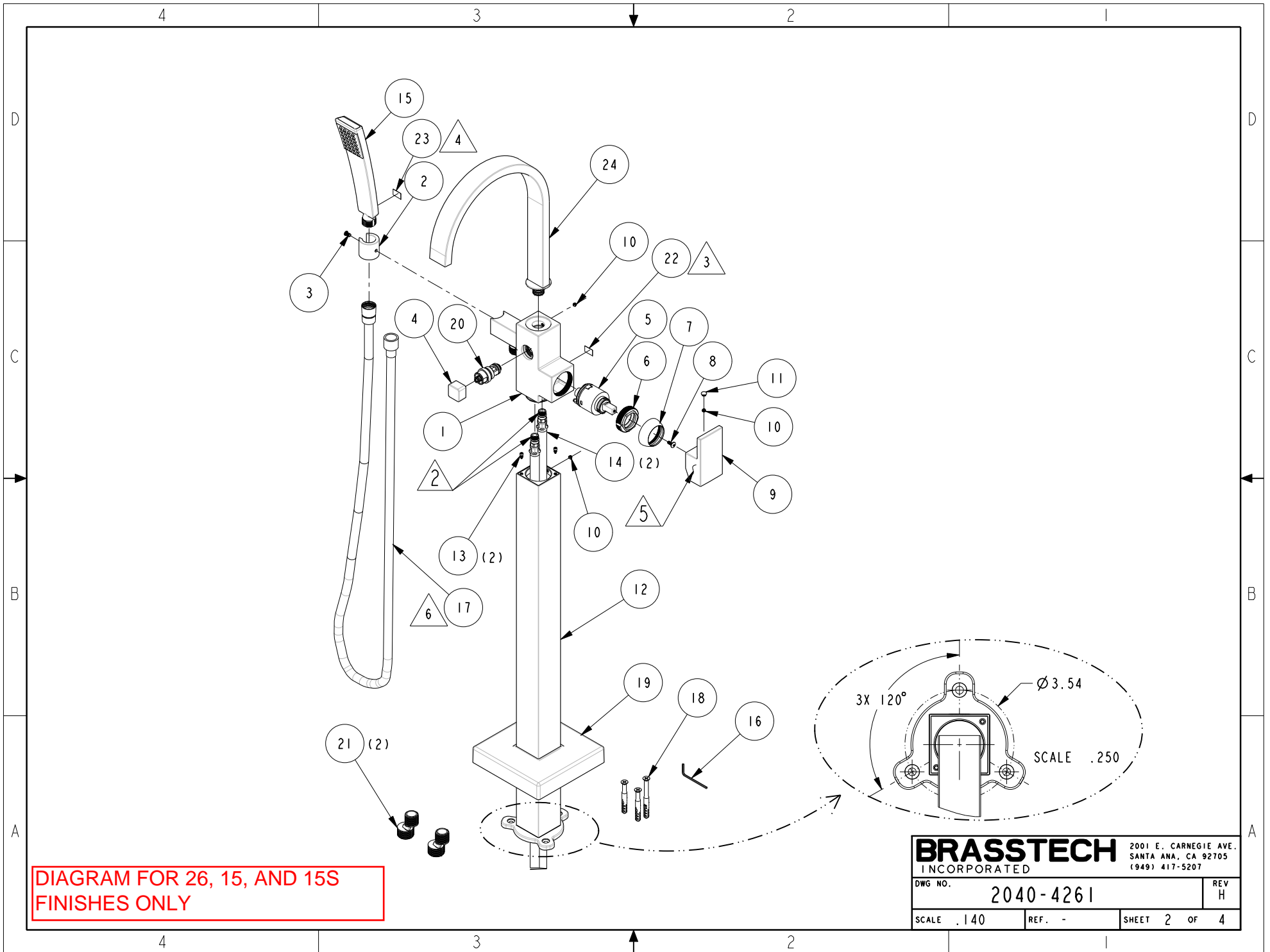


DIAGRAM FOR 26, 15, AND 15S FINISHES ONLY

<b>BRASSTECH</b>		2001 E. CARNEGIE AVE.
INCORPORATED		SANTA ANA, CA 92705
		(949) 417-5207
DWG NO.	2040-4261	REV H
SCALE .140	REF. -	SHEET 2 OF 4

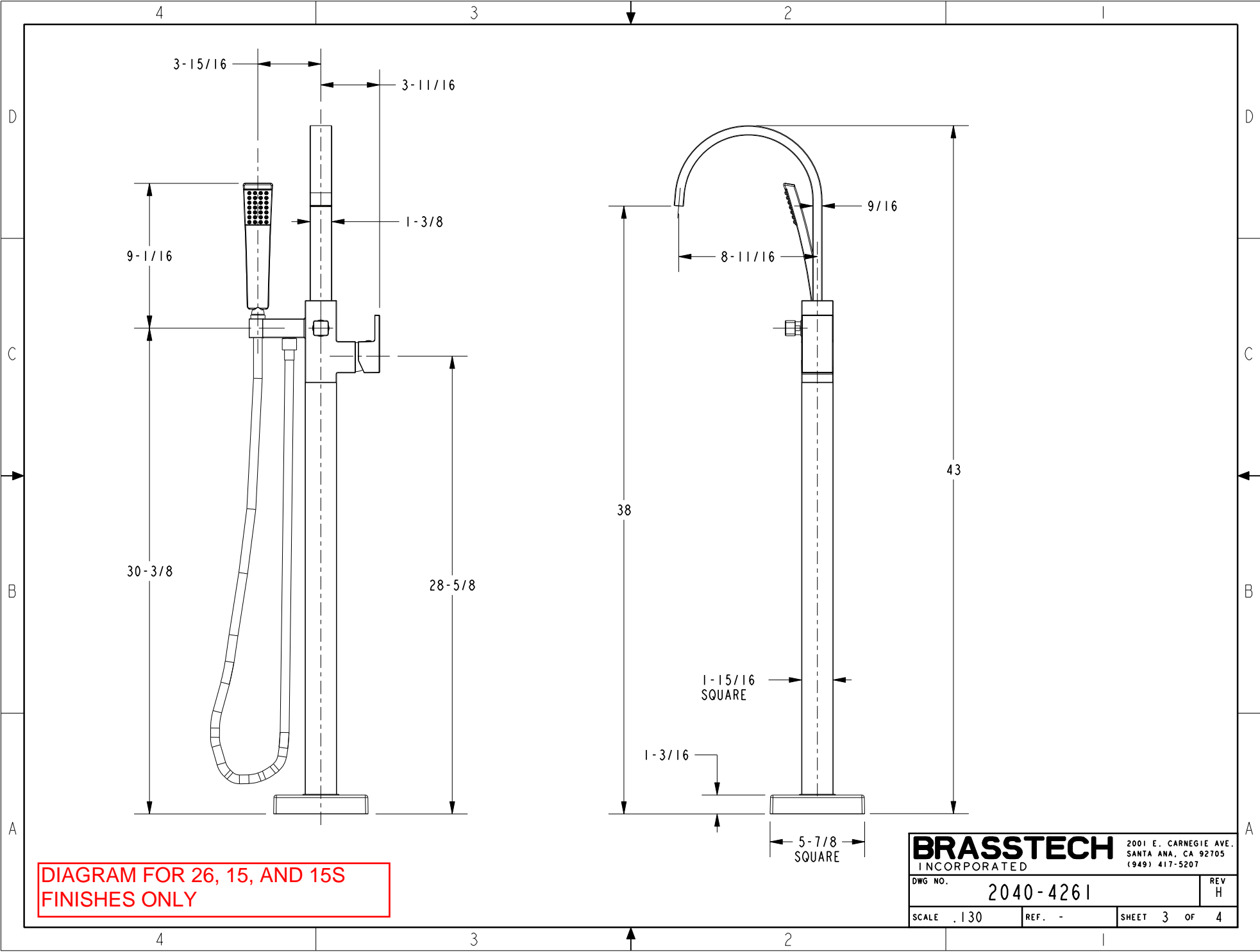


DIAGRAM FOR 26, 15, AND 15S FINISHES ONLY

<b>BRASSTECH</b>		2001 E. CARNEGIE AVE.	
INCORPORATED		SANTA ANA, CA 92705	
		(949) 417-5207	
DWG NO.	2040-4261		REV H
SCALE .130	REF. -	SHEET 3 OF 4	