

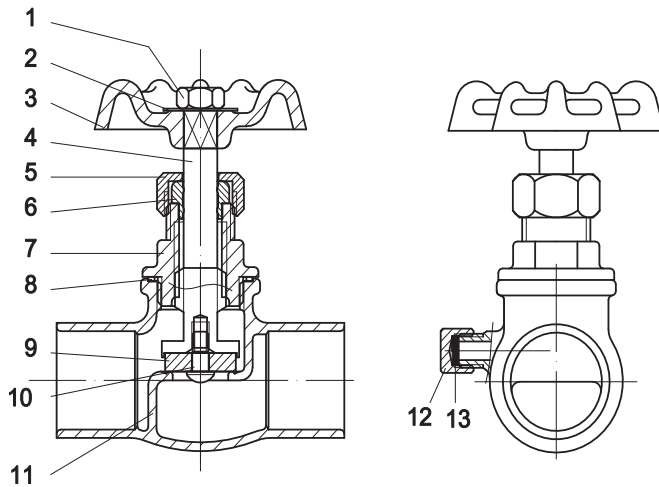
# Low Lead Brass Straight Stop & Waste Valves

## Product Features

- Low lead compliant brass casted
- cUPC and NSF 372 certified by IAPMO
- Rated pressure: 100 psi WWP (working water pressure), non-shock
- Operating pressure: 25 psi to 125 psi, non-shock
- Rated temperature: 40 to 160 °F (5 to 71 °C)
- Full pattern with stuffing box
- Waste drain cap included
- Solder ends
- Not for use at or below ground level



**PFX60SDC**



No.	Part Name	Material
1	Wheel Nut	Steel
2	Name Plate	Aluminum
3	Hand Wheel	Cast Iron
4	Stem	LF Brass
5	Packing Nut	Brass
6	Gland Packing	NBR
7	Bonnet	LF Brass
8	Gasket	Vulcanized Fiber
9	Seat Packing	NBR
10	Seat Screw	LF Brass
11	Body	LF Brass
12	Drain Cap	Brass
13	Drain Packing	NBR

Product Code	Description	Inlet Connection	Outlet Connection	Width		Height	
				in	mm	in	mm
PFX60SDC	1/2" LF Brass Straight Stop & Waste Valve	1/2" solder	1/2" solder	2	50	3 ~ 3-1/4	75 ~ 81
PFX60SFC	3/4" LF Brass Straight Stop & Waste Valve	3/4" solder	3/4" solder	2-1/2	62	3-1/4 ~ 3-1/2	81 ~ 88

## Warranty and Codes

This PROFLO product carries a 1-year limited warranty.

