



Low Lead Brass FIP Boiler Drains

Product Features

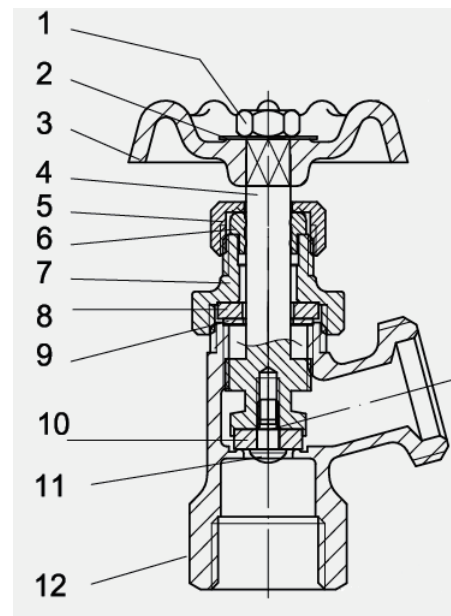
- Low lead compliant brass casted
- cUPC and NSF 372 certified by IAPMO
- Rated pressure: 100 psi WWP (working water pressure), non-shock
- Operating pressure: 25 psi to 125 psi, non-shock
- Rated temperature: 40 to 160 °F (5 to 71 °C)
- No kink full pattern with stuffing box
- FNPT inlets, 3/4" NHT outlet
- Not for use at or below ground level



PFX76FC

Product Code	Description	Inlet Connection	Outlet Connection	Width		Height	
				in	mm	in	mm
PFX76DC	1/2" LF Brass FIP Boiler Drain	1/2" FNPT	3/4" NHT	2-1/2	62	3-1/2 ~ 3-3/4	88 ~ 93
PFX76FC	3/4" LF Brass FIP Boiler Drain	3/4" FNPT	3/4" NHT	2-1/2	62	3-1/2 ~ 3-3/4	88 ~ 93

No.	Part Name	Material
1	Wheel Nut	Steel
2	Name Plate	Aluminum
3	Hand Wheel	Cast Iron
4	Stem	LF Brass
5	Packing Nut	Brass
6	Gland Packing	NBR
7	Bonnet	LF Brass
8	Packing	NBR
9	Washer	S.S#304
10	Seat Packing	NBR
11	Seat Screw	LF Brass
12	Body	LF Brass



Warranty and Codes

This PROFLO product carries a 1-year limited warranty.

