

PFXBVHB

Low-Lead Hose Bibb Ball Valve No Kink



Product Features

- Low-lead compliant
- 1/4-turn operation
- 200 WWP (working water pressure)
- Forged brass body
- Male threads (inlet) compliant with ANSI/ASME B1.20.1
- Hose threads (outlet) compliant with ANSI/ASME B1.20.7
- Temperature range 40°–160°F (5°–71°C)

Model Numbers

- PFXBVHBD 1/2" MIP
PFXBVHBF 3/4" MIP



PFXBVHB

Codes and Certifications

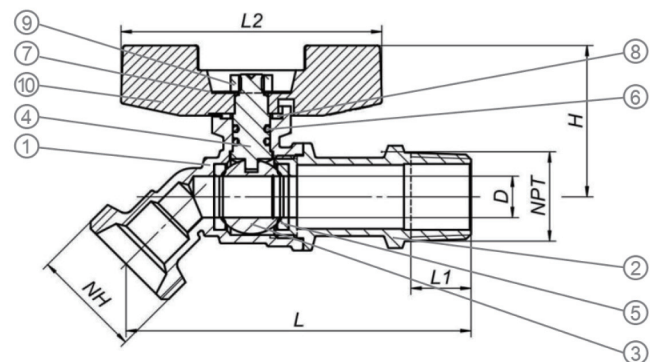
- NSF/ANSI/CAN 61
- NSF/ANSI/CAN 372



Size	D	L	L1	L2	H	NPT	NH
1/2"	0.4	3.26	0.5	2.48	1.44	1/2-11.5NPT	3/4-NH
3/4"	0.5	3.83	0.57	2.48	1.44	3/4-11.5NPT	3/4-NH

Parts

No.	Description	Material Type
1	Body	LF Brass
2	Male Bonnet	LF Brass
3	Ball	LF Brass
4	Stem	LF Brass
5	Seat	PTFE
6	O-ring	EPDM
7	Nameplate	AL Alloy
8	Packing Gland	PTFE
9	Hex Nut	Steel
10	Butterfly Handle	AL Alloy



For detailed warranty information, visit ferguson.com/PROFLO-1-year-warranty.