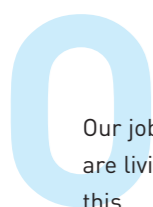


EBCO
Talbot

Service Connections





Our job is to protect water, the element that is vital for life. Together with our customers and partners, we are living up to this responsibility all over the world. Our ideas, work and products are the driving force for this.

Using the latest technologies, we are helping to develop responsible supply and disposal systems. Exemplary standards guarantee efficiency. Making use of the power, purity and availability of water is our maxim.

For generations our globally recognised brands have been proof of this ability. Our knowledge has grown along with our customers. In Europe, Africa, Asia, Australia and America our products are helping to guarantee not only the safety of water but also operations and investments. We can provide probably the most comprehensive range of products for the water and sewage industry. With a broad range of products, from small air valves to the huge DN 3600 butterfly valve, TALIS has the right product for every job. TALIS also has the engineering expertise to configure products to specifically match our customer's requirements.

We are fully motivated and committed to continue working on these achievements and responsibilities of today and tomorrow: for our future – water.

Contents

Service Connections

- Gunmetal Straps, Ferrules & STFS Introduction
- Technical Data
- Flat Boss Saddle & Straps
- Swivel Ferrules
- Combined Saddle Ferrules
- Self Tapping Ferrules Straps
- Replacement Banjos

ERHARD

- ERHARD ASBP Service Saddle

Talbot

- Talbot Pushfit
- Grippa
- Pushfit Connections
- Talbot Pushfit Leadfit
- Pushfit & Grippa Instructions

EBCO Fittings

- EBCO-B Fittings for PE Pipe
- EBCO-S Gunmetal Type B Copper Compression Fittings
- EBCO Gunmetal BSP Threaded Fittings

Valves & Stopcocks

- Technical Data
- Valves and Stopcocks

EBCO Gunmetal Hose Fittings

- Technical Data
- Hose Fittings

Service Connections

Gunmetal Straps, Ferrules & STFS Introduction

The EBCO and Talbot ranges of Flat Boss Straps, Swivel Ferrules and Self Tapping Ferrule Straps can be used to connect PE, copper and threaded pipes to almost any type and size of mains pipe.

Benefits

- Available in a range of self tapping ferrule straps and flat boss straps to suit mains pipes from 32mm (1")
- Ferrules are available with 1/2" to 2" BSP female threads; 15mm to 54mm copper and 16mm- 63mm PE outlets
- Design and selection of materials gives high strength for reliable installation and light weight for easy handling
- Quick and efficient installation onto all common pipe materials in virtually any trench condition, wet or dry
- Prolonged life of the fitting due to the high quality corrosion resistant materials used

Safety

As with all industrial products it is important to take adequate safety precautions such as the use of adequate protective clothing like gloves, overalls, eye protection and safety footwear during installation and maintenance of this product.

Flat Boss Straps

EBCO and Talbot Flat Boss Straps are designed for making service connections into PE, PVC, asbestos cement, cast iron, ductile iron and steel mains. A ferrule can then be connected to the main via the strap boss using drilling and tapping equipment whilst the main is pressurised or dry. The flat boss strap range provides maximum thread engagement into the boss of the strap and tapings from 1/2" to 2" can be made into most flat boss straps. Alternatively, the strap can be pre-drilled, tapped and fitted with a ferrule prior to delivery and the wall of the pipe then simply drilled using under pressure drilling equipment.

Solid flat boss straps can also be used as blanking straps for sealing existing holes in mains after removal of a ferrule. These flat boss straps are made from corrosion resistant materials to give years of trouble free service.

Note: flat boss straps can be supplied with a 3/8" pilot hole through the boss to help the drilling and tapping process.

- **Quick and simple to install**
Quick, permanent, leak free connection provided by a tried and tested design
- **Extensive Range**
A range has been developed which enables the user to make connections to almost any type of mains pipe, either under pressure or dry
- **Robust and long lasting**
Straps made from gunmetal are immune to corrosion and so give years of trouble free service
- **Reliable and leak free**
Provides maximum thread engagement for leak free connections suitable for a working pressure up to 16 bar (240 psi)

Gunmetal Straps, Ferrules & STFS

Swivel Ferrules

EBCO and Talbot Swivel Ferrules provide a quick, permanent, leak free service connection, consisting of a stem with an inner plug for valve isolation and a 360° swivel outlet at 90° to the stem. The swivel outlet provides a direct connection to the service line via an integral joint in the ferrule banjo so no adaptor is needed. These ferrules will provide service connections dry or under pressure directly into cast iron, ductile iron and steel mains. Asbestos cement, PE and PVC mains can also be tapped via a Flat Boss Strap.

- Quick and simple to install**
 Quick, permanent, leak free connection provided by a tried and tested design
- Extensive Range**
 A range has been developed which enables the user to make connections to almost any type of mains pipe and service pipe, either under pressure or dry
- Robust and long lasting**
 These ferrules can provide years of service in even the most aggressive soil conditions
- Reliable and leak free**
 Specifically designed to operate at pressures up to 16 bar (240 psi) subject to the ratings of pipe and strap if used.

Self Tapping Ferrule Straps

EBCO and Talbot Self Tapping Ferrule Straps for PE, PVC and asbestos cement mains pipes incorporate an integral ferrule with a self contained cutter, eliminating the need for drilling machines. Straps are made from gunmetal or a combination of gunmetal and plastic making the product durable and corrosion resistant. The strap also uses a specially designed cutter, which tests show greatly reduces the risk of bursting a PE/PVC main or creating a swarf blockage whilst cutting.

- No special equipment or controlled conditions needed**
 The fitting has an integrated cutter and requires only a spanner or standard ferrule key to install and carry out the drilling operation, dry or under pressure and in wet and congested trench conditions making it a viable alternative to electrofusion.
- Integral cutter**
 The integral cutter is designed to greatly reduce the risk of fracturing PE/PVC pipe during the drilling procedure. Its design also reduces the chance of swarf blockage whilst tapping by retaining the PE/PVC slug. The cutter also provides a shut off facility once the tapping has been made.
- Range of outlets**
 Self Tapping Ferrule Straps can be supplied with a variety of banjo outlet types to suit copper, male threaded and PE pipe (both barrier pipe for use in contaminated land sites and conventional PE pipe).

Gunmetal Straps, Ferrules & STFS Technical Data

Working Pressure :	Up to 16 bar (240 psi)		
Temperature :	Up to 40°C		
Sizes	Mains Pipe:	From 32mm (1")	
	Stems:	1/2" - 2"	
	Outlets:	Female threaded	1/2" - 2"
		EBCO Pushfit/Talbot Pushfit for PE	20mm (1/2") to 63mm (2")
	Compression for PE	20mm (1/2") to 63mm (2")	
Compression for copper	15mm to 54mm		
Materials:	Metals:	Gunmetal to BS EN 1982:2008 CC491K (formerly BS1400 LG2)	
		Aluminium Bronze to BS EN 1982:2008 CC331G	
	Plastics:	Acetal or Polypropylene	
	Fasteners:	Stainless Steel (A2 and A4)	
	Seals:	Nitrile or EPDM rubber	

¹ The pressure stated above applies with water temperatures up to 20°C.

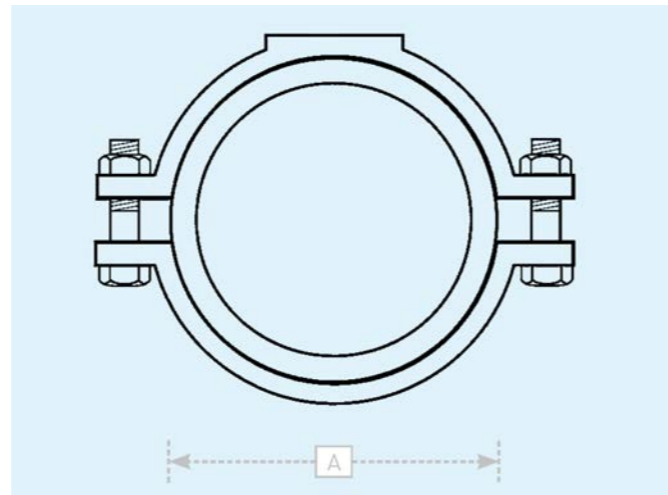
² For further information relating to operating temperatures please contact our Customer Service department on the telephone number shown below.

Technical Help:

For further technical data, product specifications and general information please contact Customer Service on +44 (0)845 077 9797.

Flat Boss Saddle

Asbestos Cement / Cast Iron Pipe

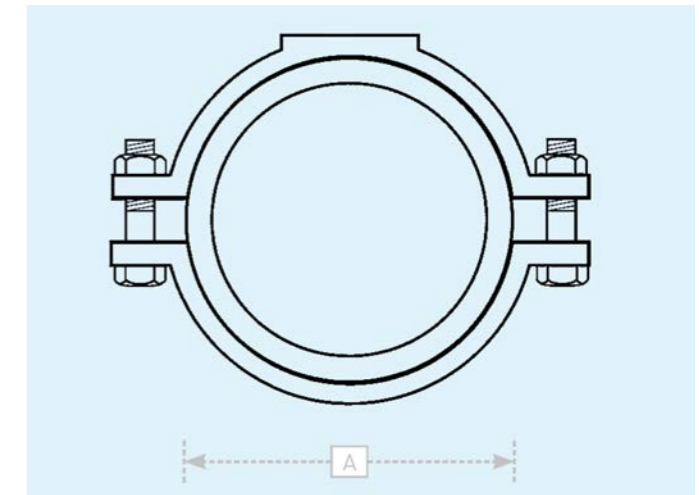


Imperial Pipe Sizes

Part Number	Nominal Pipe Bore	Strap Size (A)	Tapping Size	Box Quantity	Weight (Kg each)
SBFA015T0	1 1/2" (40mm)	55 - 61mm	Undrilled		
SBFA015T2	1 1/2" (40mm)	55 - 61mm	1/2" BSP		
SBFA002T0	2" (50mm)	62 - 74mm	Undrilled		1.158
SBFA002T2	2" (50mm)	62 - 74mm	1/2" BSP		
SBFA002T3	2" (50mm)	62 - 74mm	3/4" BSP	10	1.172
SBFA002T4	2" (50mm)	62 - 74mm	1" BSP		1.309
SBFA003T0	3" (80mm)	96 - 101mm	Undrilled		0.996
SBFA003T2	3" (80mm)	96 - 101mm	1/2" BSP		
SBFA003T3	3" (80mm)	96 - 101mm	3/4" BSP	10	0.952
SBFA003T4	3" (80mm)	96 - 101mm	1" BSP		
SBFA004T0	4" (100mm)	122 - 130mm	Undrilled	10	
SBFA004T2	4" (100mm)	122 - 130mm	1/2" BSP		
SBFA004T3	4" (100mm)	122 - 130mm	3/4" BSP	10	1.318
SBFA004T4	4" (100mm)	122 - 130mm	1" BSP		1.295
SBFA005T0	5" (125mm)	144 - 154mm	Undrilled		1.493
SBFA005T2	5" (125mm)	144 - 154mm	1/2" BSP		
SBFA005T3	5" (125mm)	144 - 154mm	3/4" BSP		1.410
SBFA005T4	5" (125mm)	144 - 154mm	1" BSP		
SBFA006T0	6" (150mm)	177 - 185mm	Undrilled		
SBFA006T2	6" (150mm)	177 - 185mm	1/2" BSP		
SBFA006T3	6" (150mm)	177 - 185mm	3/4" BSP	8	
SBFA006T4	6" (150mm)	177 - 185mm	1" BSP		1.852
SBFA006T5	6" (150mm)	177 - 185mm	1 1/4" BSP		
SBFA007T0	7" (175mm)	200 - 210mm	Undrilled		1.910
SBFA007T4	7" (175mm)	200 - 210mm	1" BSP		
SBFA008T0	8" (200mm)	229 - 237mm	Undrilled		1.767
SBFA008T2	8" (200mm)	229 - 237mm	1/2" BSP		
SBFA008T3	8" (200mm)	229 - 237mm	3/4" BSP	5	
SBFA008T4	8" (200mm)	229 - 237mm	1" BSP	4	
SBFA009T0	9" (225mm)	256 - 284mm	Undrilled		
SBFA009T3	9" (225mm)	256 - 284mm	3/4" BSP	4	2.189
SBFA009T4	9" (225mm)	256 - 284mm	1" BSP	4	
SBFA010T0	10" (250mm)	286 - 294mm	Undrilled		2.235
SBFA010T2	10" (250mm)	286 - 294mm	1/2" BSP		
SBFA010T3	10" (250mm)	286 - 294mm	3/4" BSP	3	2.223
SBFA010T4	10" (250mm)	286 - 294mm	1" BSP	3	
SBFA012T2	12" (300mm)	344 - 352mm	1/2" BSP		
SBFA012T3	12" (300mm)	344 - 352mm	3/4" BSP		
SBFA012T4	12" (300mm)	344 - 352mm	1" BSP		

Flat Boss Saddle

Asbestos Cement / Cast Iron Pipe



Imperial Pipe Sizes

Part Number	Nominal Pipe Bore	Strap Size (A)	Tapping Size	Box Quantity	Weight (Kg each)
E8776	1 1/2" (40mm)	55 - 61mm	1/2" BSP		
E3195	2" (50mm)	62 - 74mm	1/2" BSP		
E3196	2" (50mm)	62 - 74mm	3/4" BSP		
E7798	2" (50mm)	62 - 74mm	1" BSP		
E3209	3" (80mm)	96 - 101mm	Undrilled		
E4276	3" (80mm)	96 - 101mm	1/2" BSP		
E3231	3" (80mm)	96 - 101mm	3/4" BSP	12	
E3239	3" (80mm)	96 - 101mm	1" BSP		
E4191	3" (80mm)	96 - 101mm	1 1/2" BSP		
E3211	4" (100mm)	122 - 130mm	Undrilled	10	1.374
E3223	4" (100mm)	122 - 130mm	1/2" BSP	10	
E3233	4" (100mm)	122 - 130mm	3/4" BSP		
E3251	4" (100mm)	122 - 130mm	1 1/2" BSP		
E6101	4" (100mm)	122 - 130mm	2" BSP		
E3214	6" (150mm)	177 - 185mm	Undrilled	6	1.620
E4688	6" (150mm)	177 - 185mm	1/2" BSP		1.505
E3235	6" (150mm)	177 - 185mm	3/4" BSP	6	
E3244	6" (150mm)	177 - 185mm	1" BSP		
E3253	6" (150mm)	177 - 185mm	1 1/2" BSP		
E4568	8" (200mm)	229 - 237mm	Undrilled	5	1.807
E8961	8" (200mm)	229 - 237mm	1" BSP		
E3216*	8" (200mm)	238 - 246mm	Undrilled		
E3227*	8" (200mm)	238 - 246mm	1/2" BSP		
E4691*	8" (200mm)	238 - 246mm	3/4" BSP		
E3246*	8" (200mm)	238 - 246mm	1" BSP		
E4724*	8" (200mm)	238 - 246mm	1 1/2" BSP		
E3217	9" (225mm)	250 - 258mm	Undrilled		
E11171	9" (225mm)	250 - 258mm	3/4" BSP		
E9248	9" (225mm)	250 - 258mm	1" BSP		
E9495	9" (225mm)	250 - 258mm	1 1/2" BSP		
E3218*	9" (225mm)	268 - 276mm	Undrilled	3	
E3228*	9" (225mm)	268 - 276mm	1/2" BSP		
E3237*	9" (225mm)	268 - 276mm	3/4" BSP		
E3247*	9" (225mm)	268 - 276mm	1" BSP		
E8949*	9" (225mm)	268 - 276mm	1 1/4" BSP		
E3255*	9" (225mm)	268 - 276mm	1 1/2" BSP		
E6289*	9" (225mm)	268 - 276mm	2" BSP		
E3193*	10" (250mm)	294 - 302mm	Undrilled		
E10316*	10" (250mm)	294 - 302mm	1/2" BSP		
E4088*	10" (250mm)	294 - 302mm	3/4" BSP		
E7811*	10" (250mm)	294 - 302mm	1" BSP		
E8103*	10" (250mm)	294 - 302mm	2" BSP		
E3220	12" (300mm)	344 - 352mm	Undrilled	5	2.796

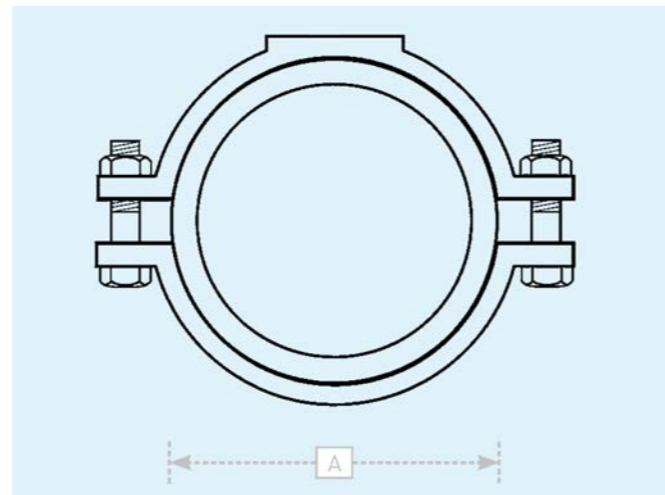
Flat Boss Saddle Asbestos Cement / Cast Iron Pipe

Imperial Pipe Sizes (continued)

Part Number	Nominal Pipe Bore	Strap Size (A)	Tapping Size	Box Quantity	Weight (Kg each)
E11269	12" (300mm)	344 - 352mm	½" BSP		
E7803	12" (300mm)	344 - 352mm	¾" BSP		
E7810	12" (300mm)	344 - 352mm	1" BSP		
E7087	12" (300mm)	344 - 352mm	2" BSP		
E4864*	14" (350mm)		Undrilled		

* Metric Asbestos Cement Pipe Class 25
+ Imperial Asbestos Cement Pipe Class C/D

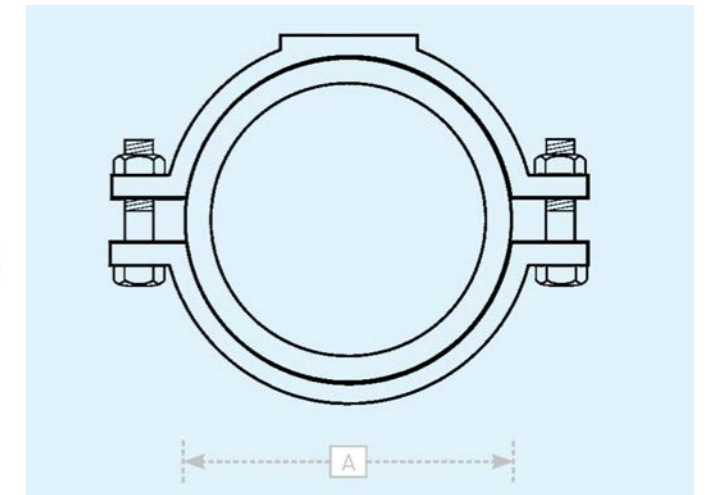
Flat Boss Saddle Ductile Iron Pipe



Imperial Pipe Sizes

Part Number	Nominal Pipe Bore	Strap Size (A)	Tapping Size	Box Quantity	Weight (Kg each)
SBFD080	3" (80mm)	96 - 101mm	Undrilled		
SBFD080T2	3" (80mm)	96 - 101mm	½" BSP		
SBFD080T3	3" (80mm)	96 - 101mm	¾" BSP		
SBFA003T4	3" (80mm)	96 - 101mm	1" BSP		
SBFD100	4" (100mm)	110 - 118mm	Undrilled	10	
SBFD100T2	4" (100mm)	110 - 118mm	½" BSP		
SBFD100T3	4" (100mm)	110 - 118mm	¾" BSP		
SBFP004T4	4" (100mm)	110 - 118mm	1" BSP		
SBFP005T0	5" (125mm)	135 - 147mm	Undrilled		
SBFP005T3	5" (125mm)	135 - 147mm	¾" BSP	10	
SBFP006T0	6" (150mm)	165 - 173mm	Undrilled	6	1.62
SBFP006T2	6" (150mm)	165 - 173mm	½" BSP		
SBFP006T3	6" (150mm)	165 - 173mm	¾" BSP	8	1.48
SBFP006T4	6" (150mm)	165 - 173mm	1" BSP		1.53
SBFP008T0	8" (200mm)	217 - 255mm	Undrilled	6	
SBFP008T2	8" (200mm)	217 - 255mm	½" BSP		1.774
SBFP008T3	8" (200mm)	217 - 255mm	¾" BSP		1.731
SBFP008T4	8" (200mm)	217 - 255mm	1" BSP		1.820
SBFP010T0	10" (250mm)	268 - 276mm	Undrilled	4	
SBFP010T2	10" (250mm)	268 - 276mm	½" BSP		
SBFP010T3	10" (250mm)	268 - 276mm	¾" BSP		2.603
SBFP010T4	10" (250mm)	268 - 276mm	1" BSP		2.443
SBFP012T0	12" (300mm)	322 - 330mm	Undrilled	8	2.133
SBFP012T2	12" (300mm)	322 - 330mm	½" BSP		
SBFP012T3	12" (300mm)	322 - 330mm	¾" BSP		2.150
SBFP012T4	12" (300mm)	322 - 330mm	1" BSP		2.094

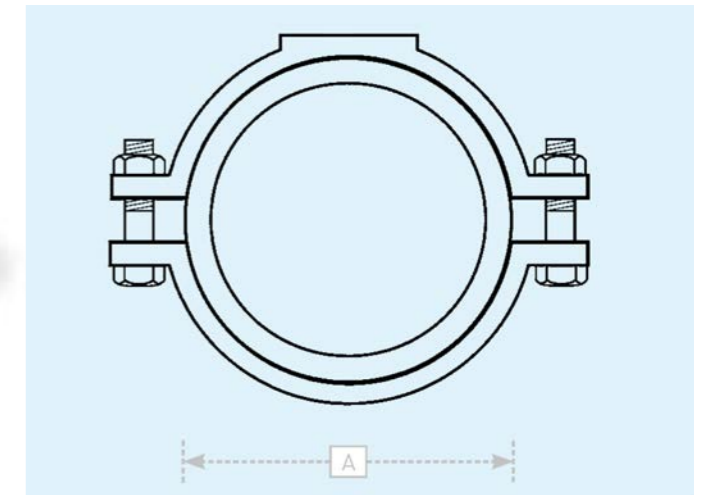
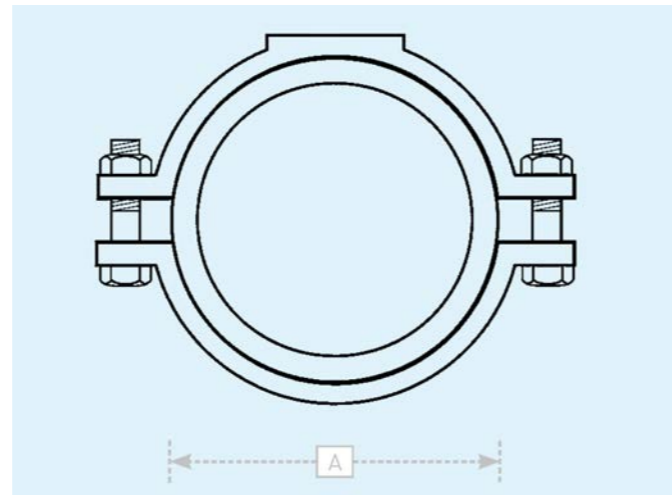
Flat Boss Saddle Ductile Iron Pipe



Imperial Pipe Sizes

Part Number	Nominal Pipe Bore	Strap Size (A)	Tapping Size	Box Quantity	Weight (Kg each)
E3209	3" (80mm)	96 - 101mm	Undrilled		
E4276	3" (80mm)	96 - 101mm	½" BSP		
E3231	3" (80mm)	96 - 101mm	¾" BSP		
E3239	3" (80mm)	96 - 101mm	1" BSP		
E4191	3" (80mm)	96 - 101mm	1½" BSP		
E3210	4" (100mm)	110 - 118mm	Undrilled		1.37
E3222	4" (100mm)	110 - 118mm	½" BSP		1.20
E3232	4" (100mm)	110 - 118mm	¾" BSP		
E3240	4" (100mm)	110 - 118mm	1" BSP		
E7685	4" (100mm)	110 - 118mm	1¼" BSP		
E3250	4" (100mm)	110 - 118mm	1½" BSP		
E3256	4" (100mm)	110 - 118mm	2" BSP		1.07
E3213	6" (150mm)	165 - 173mm	Undrilled		
E3225	6" (150mm)	165 - 173mm	½" BSP		
E3234	6" (150mm)	165 - 173mm	¾" BSP		
E3243	6" (150mm)	165 - 173mm	1" BSP		
E3993	6" (150mm)	165 - 173mm	1¼" BSP		
E3257	6" (150mm)	165 - 173mm	2" BSP		
E3215	8" (200mm)	217 - 225mm	Undrilled		1.77
E3226	8" (200mm)	217 - 225mm	½" BSP		
E3236	8" (200mm)	217 - 225mm	¾" BSP		
E3245	8" (200mm)	217 - 225mm	1" BSP		
E5230	8" (200mm)	217 - 225mm	1¼" BSP		
E3254	8" (200mm)	217 - 225mm	1½" BSP		
E3258	8" (200mm)	217 - 225mm	2" BSP		
E3218	10" (250mm)	268 - 276mm	Undrilled		
E3228	10" (250mm)	268 - 276mm	½" BSP		
E3237	10" (250mm)	268 - 276mm	¾" BSP		2.60
E3247	10" (250mm)	268 - 276mm	1" BSP		2.44
E8949	10" (250mm)	268 - 276mm	1¼" BSP		
E3255	10" (250mm)	268 - 276mm	1½" BSP		
E6289	10" (250mm)	268 - 276mm	2" BSP		
E3219	12" (300mm)	322 - 330mm	Undrilled		2.36
E3229	12" (300mm)	322 - 330mm	½" BSP		
E4205	12" (300mm)	322 - 330mm	¾" BSP		
E3248	12" (300mm)	322 - 330mm	1" BSP		
E4588	12" (300mm)	322 - 330mm	1¼" BSP		
E4861	12" (300mm)	322 - 330mm	1½" BSP		
E11445	12" (300mm)	322 - 330mm	2" BSP		
E11443	14" (350mm)	373 - 381mm	Undrilled		
E4064	16" (400mm)	429 - 439mm	Undrilled		4.11
E7188	16" (400mm)	429 - 439mm	1" BSP		
E11480	20" (500mm)	532 - 540mm	Undrilled		
E11442	24" (600mm)	630 - 637mm	Undrilled		

Flat Boss Saddle PE/PVC Pipe



Flat Boss Saddle PE/PVC Pipe

Imperial Pipe Sizes

Part Number	Nominal Pipe Bore	Strap Size (A)	Tapping Size	Box Quantity	Weight (Kg each)
SBFP00015T0	1½" (40mm)	45 - 52mm	Undrilled		
SBFP00015T2	1½" (40mm)	45 - 52mm	½" BSP		
SBFP00015T3	1½" (40mm)	45 - 52mm	¾" BSP		
SBFP002T0	2" (50mm)	58 - 62mm	Undrilled		
SBFP002T2	2" (50mm)	58 - 62mm	½" BSP		0.676
SBFP002T3	2" (50mm)	58 - 62mm	¾" BSP		
SBFP002T4	2" (50mm)	58 - 62mm	1" BSP		
SBFP003T0	3" (80mm)	88 - 92mm	Undrilled	15	1.000
SBFP003T2	3" (80mm)	88 - 92mm	½" BSP		
SBFP003T3	3" (80mm)	88 - 92mm	¾" BSP		1.093
SBFP004T0	4" (100mm)	110 - 118mm	Undrilled	10	1.292
SBFP004T2	4" (100mm)	110 - 118mm	½" BSP		
SBFP004T3	4" (100mm)	110 - 118mm	¾" BSP		
SBFP004T4	4" (100mm)	110 - 118mm	1" BSP		
SBFP005T0	5" (125mm)	135 - 147mm	Undrilled		
SBFP005T3	5" (125mm)	135 - 147mm	¾" BSP	10	
SBFP006T0	6" (150mm)	165 - 173mm	Undrilled	6	1.621
SBFP006T2	6" (150mm)	165 - 173mm	½" BSP		
SBFP006T3	6" (150mm)	165 - 173mm	¾" BSP	8	1.475
SBFP006T4	6" (150mm)	165 - 173mm	1" BSP		1.528
SBFP008T0	8" (200mm)	217 - 225mm	Undrilled	6	
SBFP008T2	8" (200mm)	217 - 225mm	½" BSP		1.774
SBFP008T3	8" (200mm)	217 - 225mm	¾" BSP		1.731
SBFP008T4	8" (200mm)	217 - 225mm	1" BSP		1.820
SBFP009T0	9" (225mm)	238 - 246mm	Undrilled		
SBFP009T3	9" (225mm)	238 - 246mm	¾" BSP	4	2.384
SBFP009T4	9" (225mm)	238 - 246mm	1" BSP		
SBFP010T0	10" (250mm)	268 - 276mm	Undrilled	4	
SBFP010T2	10" (250mm)	268 - 276mm	½" BSP		
SBFP010T3	10" (250mm)	268 - 276mm	¾" BSP		2.603
SBFP010T4	10" (250mm)	268 - 276mm	1" BSP		2.443
SBFP012T0	12" (300mm)	322 - 330mm	Undrilled	8	2.133
SBFP012T2	12" (300mm)	322 - 330mm	½" BSP		
SBFP012T3	12" (300mm)	322 - 330mm	¾" BSP		2.150
SBFP012T4	12" (300mm)	322 - 330mm	1" BSP		2.094
SBFP014T0	14" (350mm)	351 - 359mm	Undrilled		3.042

Imperial Pipe Sizes

Part Number	Nominal Pipe Bore	Strap Size (A)	Tapping Size	Box Quantity	Weight (Kg each)
E3282	2" (50mm)	58 - 62mm	Undrilled		
E3284	2" (50mm)	58 - 62mm	¾" BSP		
E3208	3" (80mm)	88 - 92mm	Undrilled	16	
E3221	3" (80mm)	88 - 92mm	½" BSP		
E3230	3" (80mm)	88 - 92mm	¾" BSP		
E3238	3" (80mm)	88 - 92mm	1" BSP		
E9156	3" (80mm)	88 - 92mm	1 ¼" BSP		
E3249	3" (80mm)	88 - 92mm	1 ½" BSP		
E3210	4" (100mm)	110 - 118mm	Undrilled	10	1.366
E3222	4" (100mm)	110 - 118mm	½" BSP		1.201
E3232	4" (100mm)	110 - 118mm	¾" BSP		
E3240	4" (100mm)	110 - 118mm	1" BSP	10	
E7685	4" (100mm)	110 - 118mm	1 ¼" BSP		
E3250	4" (100mm)	110 - 118mm	1 ½" BSP		
E3256	4" (100mm)	110 - 118mm	2" BSP	10	1.065
E3213	6" (150mm)	165 - 173mm	Undrilled	8	
E3225	6" (150mm)	165 - 173mm	½" BSP		
E3234	6" (150mm)	165 - 173mm	¾" BSP		
E3243	6" (150mm)	165 - 173mm	1" BSP	8	
E3993	6" (150mm)	165 - 173mm	1 ¼" BSP		
E3257	6" (150mm)	217 - 225mm	2" BSP		
E3215	8" (200mm)	217 - 225mm	Undrilled	5	1.768
E3226	8" (200mm)	217 - 225mm	½" BSP		
E3236	8" (200mm)	217 - 225mm	¾" BSP		
E3245	8" (200mm)	217 - 225mm	1" BSP	10	
E5230	8" (200mm)	217 - 225mm	1 ¼" BSP		
E3254	8" (200mm)	217 - 225mm	1 ½" BSP		
E3258	8" (200mm)	217 - 225mm	2" BSP		
E3216	9" (225mm)	238 - 246mm	Undrilled		
E3227	9" (225mm)	238 - 246mm	½" BSP		
E4691	9" (225mm)	238 - 246mm	¾" BSP		
E3246	9" (225mm)	238 - 246mm	1" BSP		
E4724	9" (225mm)	238 - 246mm	1 ½" BSP		
E3218	10" (250mm)	268 - 276mm	Undrilled	3	
E3228	10" (250mm)	268 - 276mm	½" BSP		
E3237	10" (250mm)	268 - 276mm	¾" BSP		2.443
E3247	10" (250mm)	268 - 276mm	1" BSP		
E8949	10" (250mm)	268 - 276mm	1 ¼" BSP		
E3255	10" (250mm)	268 - 276mm	1 ½" BSP		
E6289	10" (250mm)	268 - 276mm	2" BSP		2.355

Flat Boss Saddle PE/PVC Pipe

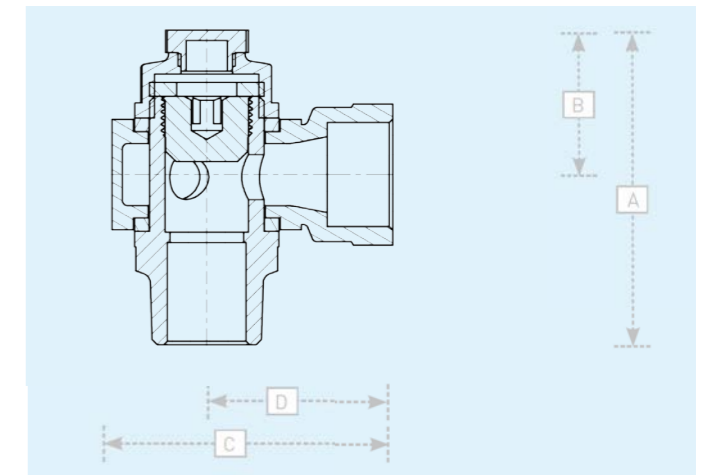
EBCO Standard Pattern Swivel Ferrule BSP Outlet

Imperial Pipe Sizes (continued)

Part Number	Nominal Pipe Bore	Strap Size (A)	Tapping Size	Box Quantity	Weight (Kg each)
E3219	12" (300mm)	322 - 330mm	Undrilled		
E3229	12" (300mm)	322 - 330mm	½" BSP		
E4205	12" (300mm)	322 - 330mm	¾" BSP		
E3248	12" (300mm)	322 - 330mm	1" BSP		
E4588	12" (300mm)	322 - 330mm	1 ¼" BSP		
E4861	12" (300mm)	322 - 330mm	1 ½" BSP		

Metric Pipe Sizes

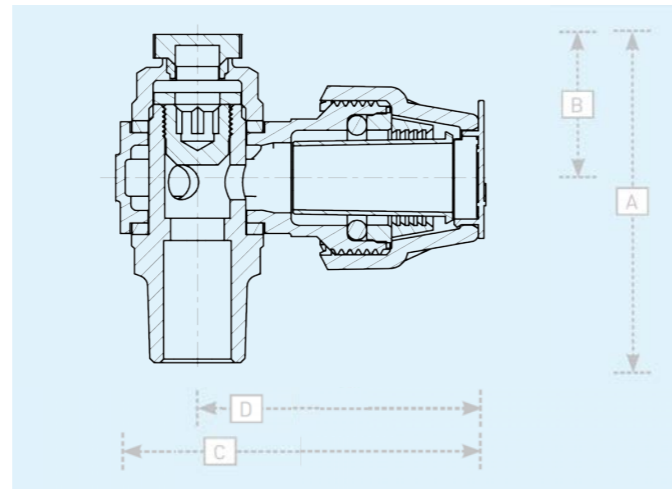
Part Number	Nominal Pipe Bore	Strap Size (A)	Tapping Size	Box Quantity	Weight (Kg each)
E3212	160mm	155 - 163mm	Undrilled		
E3224	160mm	155 - 163mm	½" BSP	8	
E4697	160mm	155 - 163mm	¾" BSP		
E3242	160mm	155 - 163mm	1" BSP		
E9494	160mm	155 - 163mm	1 ¼" BSP		
E3252	160mm	155 - 163mm	1 ½" BSP		
E10275	160mm	155 - 163mm	2" BSP		
E4569	180mm	174 - 182mm	Undrilled		
E4679	180mm	174 - 182mm	¾" BSP		
E8788	180mm	174 - 182mm	1" BSP		
E8789	180mm	174 - 182mm	1 ½" BSP		
E4996	180mm	174 - 182mm	2" BSP		
E10496	200mm	195 - 203mm	Undrilled		
E10269	200mm	195 - 203mm	1 ½" BSP		
E9347	200mm	195 - 203mm	2" BSP		
E7971	315mm	308 - 316mm	Undrilled		
E9231	315mm	308 - 316mm	¾" BSP		
E4839	315mm	308 - 316mm	1" BSP		
E10270	315mm	308 - 316mm	1 ½" BSP		



Gunmetal Banjo, EBCO BSP female outlet

Part Number	Inlet	Outlet	A (mm)	B (mm)	C (mm)	D (mm)	Box Quantity	Weight (Kg each)
SFR202F	½"	½" Female	86	38	62	40	25	0.178
SFR302F	¾"	½" Female						
SFR303F	¾"	¾" Female	82	38	66	43	20	0.478
SFR9D03F	¾"	2 x ¾" Female (90°)					15	
SFR304F	¾"	1" Female						
SFR404F	1"	1" Female	94	44	82	54	12	0.748
SFR505F	1 ¼"	1 ¼" Female	107	50	102	68		
SFR606F	1 ½"	1 ½" Female	106	50	118	77	4	2.405
SFR808F	2"	2" Female	120	48	140	92	3	3.240

EBCO Standard Pattern Swivel Ferrule Pushfit Outlet



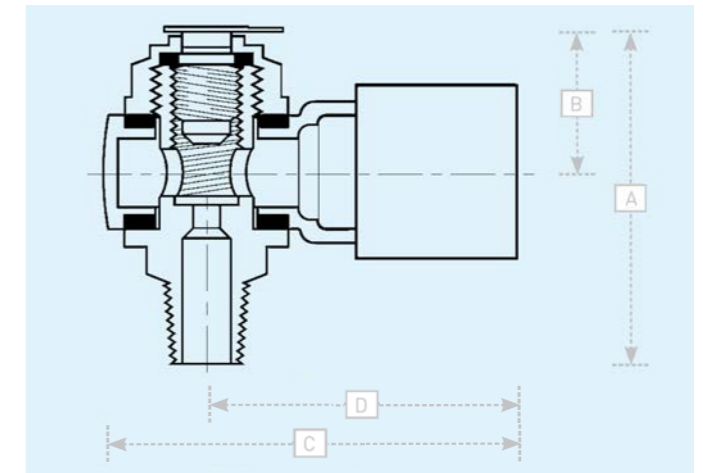
Gunmetal Banjo, EBCO Pushfit outlet for metric MDPE pipe

Part Number	Inlet	Outlet	A (mm)	B (mm)	C (mm)	D (mm)	Box Quantity	Weight (Kg each)
SFR220Z	1/2"	20mm BPF	86	38	84	61	20	0.475
SFR225Z	1/2"	25mm BPF	88	35	99	77	15	0.544
SFR325Z	3/4"	25mm BPF	82	38	100	79	15	0.551
SFR432Z	1"	32mm BPF	94	44	122	94	10	0.537
SFR650Z	1 1/2"	50mm BPF	106	50	195	154	4	2.780
SFR863Z	2"	63mm BPF	120	48	219	172	5	3.660

Plastic Banjo, EBCO Pushfit outlet for metric MDPE pipe

Part Number	Inlet	Outlet	A (mm)	B (mm)	C (mm)	D (mm)	Box Quantity	Weight (Kg each)
SFR225Z/P	1/2"	25mm BPF	86	35	105	80	15	0.315
SFR325Z/P	3/4"	25mm BPF	82	38	100	79	15	0.319
SFR432Z/P	1"	32mm BPF	94	44	122	94	10	0.532

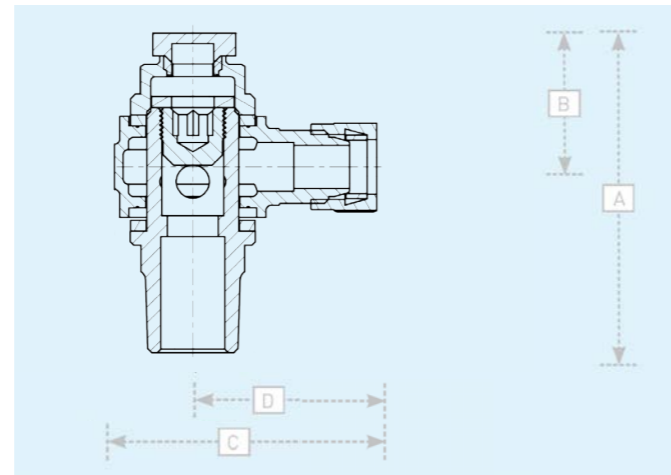
EBCO Standard Pattern Swivel Ferrule B Compression Fitting Outlet



Gunmetal Banjo, EBCO-B outlet

Part Number	Inlet	Outlet	A (mm)	B (mm)	C (mm)	D (mm)	Box Quantity	Weight (Kg each)
SFR220B	1/2"	20mm EBCO-B	86	38	74	52		
SFR325B	3/4"	25mm EBCO-B	82	38	87	62		
SFR432B	1"	32mm EBCO-B	94	44	95	67		
SFR650B	1 1/2"	50mm EBCO-B	106	50	143	102		
SFR663B	1 1/2"	63mm EBCO-B	106	50	138	97	4	3.273
SFR863B	2"	63mm EBCO-B	120	48	159	112		

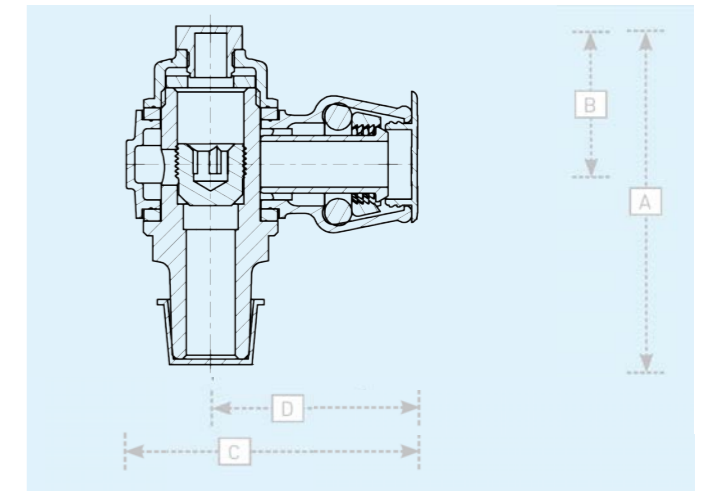
EBCO Standard Pattern Swivel Ferrule S Compression Fitting Outlet



Gunmetal Banjo, EBCO-S compression fitting outlet for type B copper tube

Part Number	Inlet	Outlet	A (mm)	B (mm)	C (mm)	D (mm)	Box Quantity	Weight (Kg each)
SFR215S	1/2"	15mm Copper	86	38	77	54		0.474
SFR222S	1/2"	22mm Copper						
SFR315S	3/4"	15mm Copper						
SFR322S	3/4"	22mm Copper	82	38	78	55	20	0.501
SFR328S	3/4"	28mm Copper						
SFR428S	1"	28mm Copper	94	44	92	64	12	0.819
SFR535S	1 1/4"	35mm Copper	107	50	112	78		
SFR642S	1 1/2"	42mm Copper	106	50	127	86		
SFR854S	2"	54mm Copper	120	48	142	95		

TALBOT Standard Pattern Swivel Ferrule Pushfit Outlet - Gunmetal Banjo



Gunmetal Banjo, Metric MDPE Pushfit outlet with liner

Part Number	Inlet	Outlet	A (mm)	B (mm)	C (mm)	D (mm)	Box Quantity	Weight (Kg each)
E2885	1/2"	20mm PF	90	38	76	54	20	
E2887	1/2"	25mm PF	90	38	83	61		
E2888	3/4"	25mm PF	88	38	83	61	15	
E2890	1"	32mm PF	87	38	107	79	10	
E2891	1 1/2"	50mm PF	126	55	171	131		2.639
E2892	1 1/2"	63mm PF	127	57	198	152		
E2893	2"	63mm PF	127	57	198	152		

Gunmetal Banjo, Metric MDPE Pushfit outlet with no liner

Part Number	Inlet	Outlet	A (mm)	B (mm)	C (mm)	D (mm)	Box Quantity	Weight (Kg each)
E2879	1/2"	20mm PF	90	38	76	54	20	
E2880	3/4"	25mm PF	88	38	83	61	15	
E2881	1"	32mm PF	87	38	107	79		
E10108	1 1/4"	40mm PF	116	50	144	110		
E4455	1 1/2"	50mm PF	126	55	171	131		0.821
E9212	1 1/2"	63mm PF	127	57	198	152		
E4877	2"	63mm PF	127	57	198	152	3	

Gunmetal Banjo, Metric MDPE Pushfit outlet, no liner with gunmetal top threaded plug

Part Number	Inlet	Outlet	A (mm)	B (mm)	C (mm)	D (mm)	Box Quantity	Weight (Kg each)
E10261	1/2"	20mm PF	87	35	76	54	20	
E10262	3/4"	25mm PF	85	35	83	61		
E10263	1"	32mm PF	89	40	107	79		
E10264	1 1/2"	50mm PF	124	54	171	131		0.474
E10265	2"	63mm PF	126	56	198	152		0.804

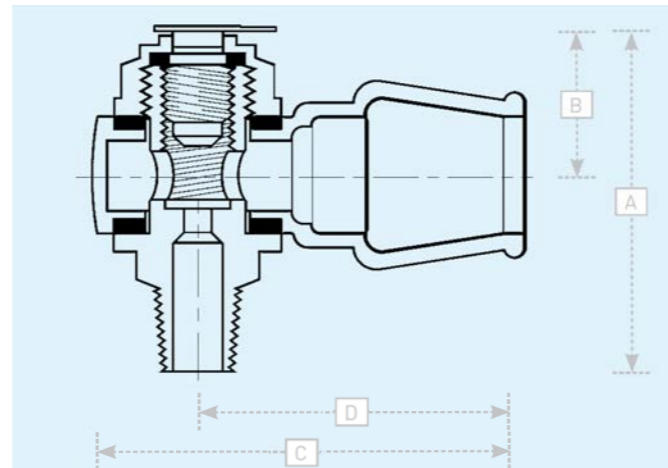
Gunmetal Banjo, Imperial PE Pushfit outlet with no liner

Part Number	Inlet	Outlet	A (mm)	B (mm)	C (mm)	D (mm)	Box Quantity	Weight (Kg each)
E8599	1/2"	1/2" PF	90	38	76	54		
E2877	1/2"	3/4" PF	90	38	83	61		
E4137	3/4"	1/2" PF	88	38	76	54		
E2876	3/4"	3/4" PF	88	38	83	61		0.474
E3774	1"	1" PF	87	38	107	79		0.804
E9215	2"	2" PF	127	57	198	152		

Gunmetal Banjo, Heavy Gauge IRS135 MDPE pipe outlet with no liner

Part Number	Inlet	Outlet	A (mm)	B (mm)	C (mm)	D (mm)	Box Quantity	Weight (Kg each)
E2878	1/2"	1/2" HG	90	38	76	54	20	
E5948	3/4"	1/2" HG	88	38	76	54		

TALBOT Standard Pattern Swivel Ferrule Pushfit Outlet - Plastic Banjo



Plastic Banjo, Metric MDPE Pushfit outlet with liner

Part Number	Inlet	Outlet	A (mm)	B (mm)	C (mm)	D (mm)	Box Quantity	Weight (Kg each)
E3835	1/2"	20mm PF	83	32	97	73	18	0.303
E3961	1/2"	25mm PF	83	32	103	79	15	0.305
E3964	3/4"	25mm PF	83	32	103	79	15	0.317
E3870	3/4"	32mm PF	90	39	115	88	10	0.416
E3871	1"	32mm PF	94	44	115	88	10	0.455

Plastic Banjo, Metric MDPE Pushfit outlet, liner with gunmetal top cap

Part Number	Inlet	Outlet	A (mm)	B (mm)	C (mm)	D (mm)	Box Quantity	Weight (Kg each)
E8551	1 1/4"	40mm PF	107	51	144	110		
E6540	1 1/2"	50mm PF	122	56	173	131	5	1.779
E6541	1 1/2"	63mm PF	126	57	201	152		
E6542	2"	63mm PF	126	57	201	152	3	2.464

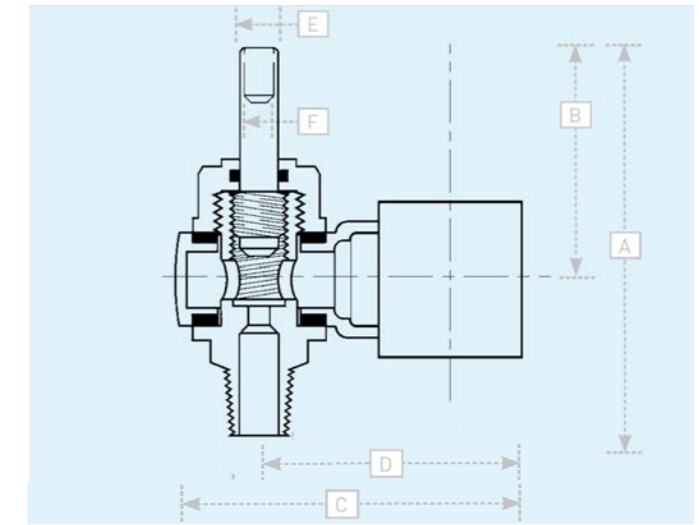
Plastic Banjo, Imperial PE Pushfit outlet with no liner

Part Number	Inlet	Outlet	A (mm)	B (mm)	C (mm)	D (mm)	Box Quantity	Weight (Kg each)
E6067	1/2"	1/2" PF	83	32	97	73		
E3967	1/2"	3/4" PF	83	32	103	79		
E3968	3/4"	3/4" PF	83	32	103	79		
E3901	1"	1" PF	94	44	115	88		

Plastic Banjo, Heavy Gauge IRS135 MDPE Pushfit outlet with no liner

Part Number	Inlet	Outlet	A (mm)	B (mm)	C (mm)	D (mm)	Box Quantity	Weight (Kg each)
E3837	1/2"	1/2" HG	83	32	97	73	18	0.297
E9903	3/4"	3/4" HG	87	38	95	73	15	0.345
E9904	1"	1" HG	94	44	115	88		

EBCO Screwdown Pattern Swivel Ferrule B Compression Fitting Outlet



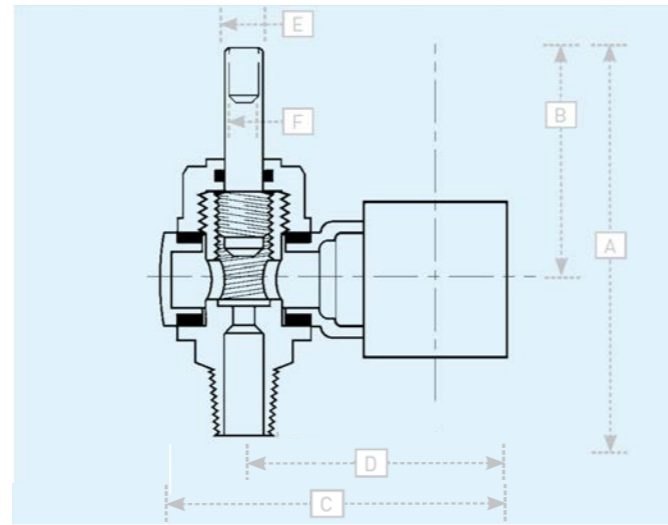
Gunmetal Banjo, EBCO-B outlet for metric MDPE pipe

Part Number	Inlet	Outlet	A (mm)	B (mm)	C (mm)	D (mm)	E (mm)	F (mm)	Box Quantity	Weight (Kg each)
SFS220B	1/2"	20mm EBCO-B	108	58	74	52	11	10		1.051
SFS325B	3/4"	25mm EBCO-B	105	58	87	62	11	10	15	0.649
SFS432B	1"	32mm EBCO-B	116	65	95	67	16	13	10	1.049
SFS650B	1 1/2"	50mm EBCO-B	151	93	143	102	22	19	4	
SFS863B	2"	63mm EBCO-B	168	100	159	112	25	19	2	

Gunmetal Banjo, EBCO-B outlet for imperial low density class C (BS1972) pipe

Part Number	Inlet	Outlet	A (mm)	B (mm)	C (mm)	D (mm)	E (mm)	F (mm)	Box Quantity	Weight (Kg each)
SFS202B	1/2"	1/2" EBCO-B	108	58	74	52	11	10		
SFS303B	3/4"	3/4" EBCO-B	105	58	87	62	11	10	15	0.653
SFS404B	1"	1" EBCO-B	116	65	95	67	16	13	10	1.057
SFS606B	1 1/2"	1 1/2" EBCO-B	151	93	143	102	22	19	4	
SFS808B	2"	2" EBCO-B	168	100	159	112	25	19		

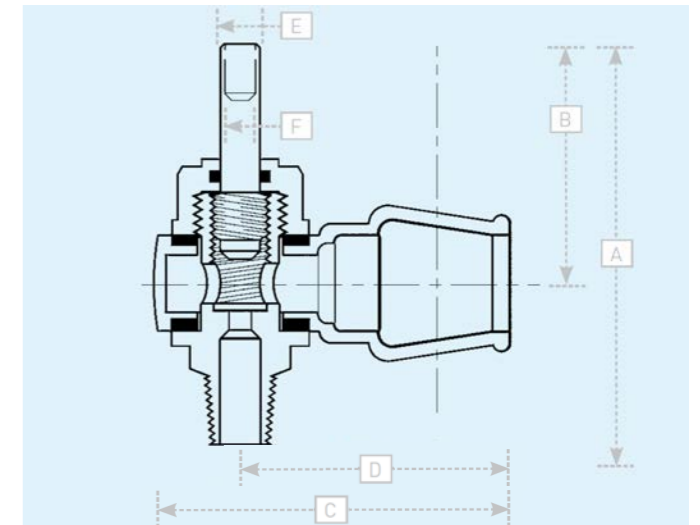
EBCO Screwdown Pattern Swivel Ferrule S Compression Fitting Outlet



Gunmetal Banjo, EBCO-S Compression outlets for type B copper tube

Part Number	Inlet	Outlet	A (mm)	B (mm)	C (mm)	D (mm)	E (mm)	F (mm)	Box Quantity	Weight (Kg each)
SFS215S	1/2"	15mm Copper	108	58	77	54	11	10		
SFS322S	3/4"	22 mm Copper	105	58	78	55	11	10		
SFS428S	1"	28 mm Copper	116	65	92	64	16	13		
SFS642S	1 1/2"	42 mm Copper	151	93	127	86	22	19		
SFS854S	2"	54 mm Copper	168	100	142	95	25	19		

TALBOT Screwdown Pattern Swivel Ferrule Pushfit Outlet - Gunmetal Banjo



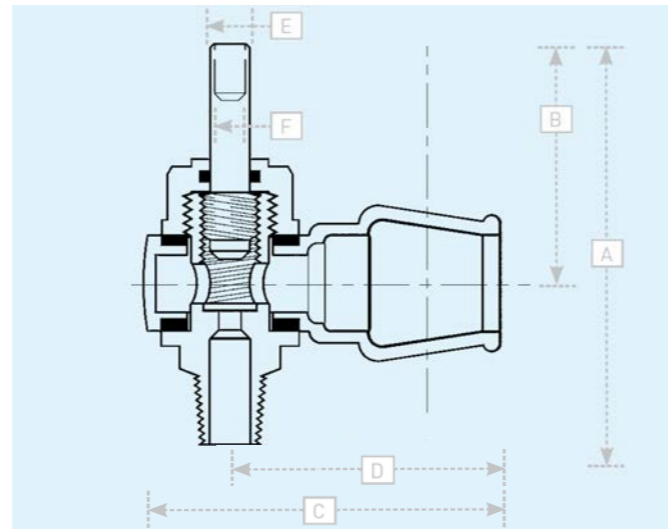
Gunmetal Banjo, Pushfit outlet for metric MDPE with liner

Part Number	Inlet	Outlet	A (mm)	B (mm)	C (mm)	D (mm)	E (mm)	F (mm)	Box Quantity	Weight (Kg each)
E2886	1/2"	20mm PF	124	72	76	54	11	13	15	
E2894	3/4"	25mm PF	122	72	84	61	11	13		
E2896	1"	32mm PF	136	87	108	79	17	13		
E7013	1 1/2"	50mm PF	160	93	171	131	22	19		
E7275	2"	63mm PF	170	100	198	152	25	19	15	

Gunmetal Banjo, Pushfit outlet for metric MDPE no liner

Part Number	Inlet	Outlet	A (mm)	B (mm)	C (mm)	D (mm)	E (mm)	F (mm)	Box Quantity	Weight (Kg each)
E4214	1/2"	20mm PF	124	72	76	54	11	13		
E2882	3/4"	25mm PF	122	72	84	61	11	13		
E2883	1"	32mm PF	136	87	108	79	17	13		
E9477	1 1/2"	50mm PF	160	93	171	131	22	19		
E4062	2"	63 mm PF	170	100	198	152	25	19	4	3.475

TALBOT Screwdown Pattern Swivel Ferrule Pushfit Outlet - Plastic Banjo



Plastic Banjo, Pushfit outlet for metric MDPE with liner

Part Number	Inlet	Outlet	A (mm)	B (mm)	C (mm)	D (mm)	E (mm)	F (mm)	Box Quantity	Weight (Kg each)
E6542	2"	63mm PF	170	100	201	152	25	19		

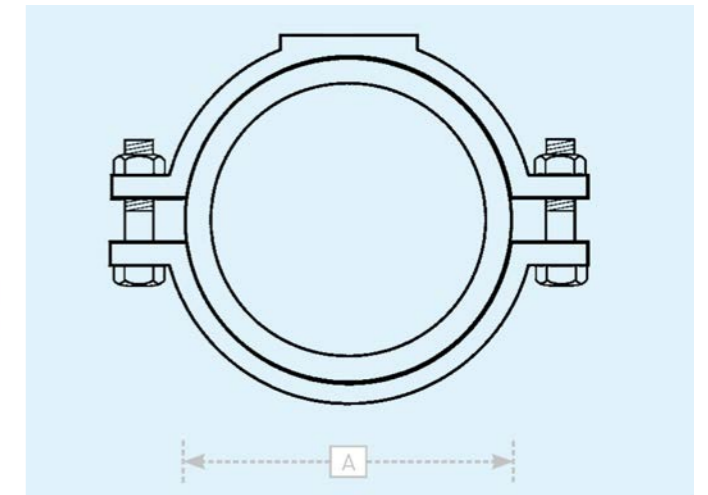
Plastic Banjo, Pushfit outlet for metric MDPE no liner

Part Number	Inlet	Outlet	A (mm)	B (mm)	C (mm)	D (mm)	E (mm)	F (mm)	Box Quantity	Weight (Kg each)
E6547	2"	63mm PF	170	100	201	152	25	19		

Plastic Banjo, Pushfit outlet for metric MDPE with liner with Crutch Head

Part Number	Inlet	Outlet	A (mm)	B (mm)	C (mm)	D (mm)	E (mm)	F (mm)	Box Quantity	Weight (Kg each)
E6545	2"	63mm PF	170	100	201	152	25	19		

EBCO Combined Saddle Ferrule Asbestos Cement / Cast Iron Pipe



Gunmetal Banjo, EBCO-B Compression fitting outlet for metric MDPE pipe

Part Number	Nominal Pipe Bore	Strap Size (A)	Outlet	Box Quantity	Weight (Kg each)
SCA00220B	2" (50mm)	62 - 74mm	20mm EBCO-B		
SCA00225B	2" (50mm)	62 - 74mm	25mm EBCO-B		
SCA00320B	3" (80mm)	96 - 101mm	20mm EBCO-B		
SCA00325B	3" (80mm)	96 - 101mm	25mm EBCO-B		
SCA00332B	3" (80mm)	96 - 101mm	32mm EBCO-B		
SCA00420B	4" (100mm)	122 - 130mm	20mm EBCO-B		
SCA00425B	4" (100mm)	122 - 130mm	25mm EBCO-B		
SCA00432B	4" (100mm)	122 - 130mm	32mm EBCO-B		
SCA00520B	5" (125mm)	144 - 154mm	20mm EBCO-B		
SCA00525B	5" (125mm)	144 - 154mm	25mm EBCO-B		
SCA00532B	5" (125mm)	144 - 154mm	32mm EBCO-B		
SCA00620B	6" (150mm)	177 - 185mm	20mm EBCO-B		
SCA00625B	6" (150mm)	177 - 185mm	25mm EBCO-B		
SCA00632B	6" (150mm)	177 - 185mm	32mm EBCO-B		
SCA00820B	8" (200mm)	229 - 237mm	20mm EBCO-B		
SCA00825B	8" (200mm)	229 - 237mm	25mm EBCO-B		
SCA00832B	8" (200mm)	229 - 237mm	32mm EBCO-B		
SCA00920B	9" (225mm)	256 - 264mm	20mm EBCO-B		
SCA00925B	9" (225mm)	256 - 264mm	25mm EBCO-B		
SCA00932B	9" (225mm)	256 - 264mm	32mm EBCO-B		

Gunmetal Banjo, EBCO-C Compression fitting outlet for type B copper tube

Part Number	Nominal Pipe Bore	Strap Size (A)	Outlet	Box Quantity	Weight (Kg each)
SCA00215S	2" (50mm)	62 - 74mm	15mm Copper		
SCA00222S	2" (50mm)	62 - 74mm	22mm Copper		
SCA00315S	3" (80mm)	96 - 101mm	15mm Copper		
SCA00322S	3" (80mm)	96 - 101mm	22mm Copper		
SCA00328S	3" (80mm)	96 - 101mm	28mm Copper		
SCA00415S	4" (100mm)	122 - 130mm	15mm Copper		
SCA00422S	4" (100mm)	122 - 130mm	22mm Copper		
SCA00428S	4" (100mm)	122 - 130mm	28mm Copper		
SCA00515S	5" (125mm)	144 - 154mm	15mm Copper		
SCA00522S	5" (125mm)	144 - 154mm	22mm Copper		
SCA00528S	5" (125mm)	144 - 154mm	28mm Copper		
SCA00615S	6" (150mm)	177 - 185mm	15mm Copper		
SCA00622S	6" (150mm)	177 - 185mm	22mm Copper		
SCA00628S	6" (150mm)	177 - 185mm	28mm Copper		
SCA00815S	8" (200mm)	229 - 237mm	15mm Copper		
SCA00822S	8" (200mm)	229 - 237mm	22mm Copper		
SCA00828S	8" (200mm)	229 - 237mm	28mm Copper		
SCA00915S	9" (225mm)	256 - 264mm	15mm Copper		
SCA00922S	9" (225mm)	256 - 264mm	22mm Copper		
SCA00928S	9" (225mm)	256 - 264mm	28mm Copper		

Gunmetal Banjo, EBCO BSP female outlet

Part Number	Nominal Pipe Bore	Strap Size (A)	Outlet	Box Quantity	Weight (Kg each)
SCA00202F	2" (50mm)	62 - 74mm	1/2" Female		
SCA00203F	2" (50mm)	62 - 74mm	3/4" Female		
SCA00302F	3" (80mm)	96 - 101mm	1/2" Female		
SCA00303F	3" (80mm)	96 - 101mm	3/4" Female		
SCA00304F	3" (80mm)	96 - 101mm	1" Female		
SCA00402F	4" (100mm)	122 - 130mm	1/2" Female		
SCA00403F	4" (100mm)	122 - 130mm	3/4" Female		
SCA00404F	4" (100mm)	122 - 130mm	1" Female		
SCA00502F	5" (125mm)	144 - 154mm	1/2" Female		
SCA00503F	5" (125mm)	144 - 154mm	3/4" Female		
SCA00504F	5" (125mm)	144 - 154mm	1" Female		
SCA00602F	6" (150mm)	177 - 185mm	1/2" Female		
SCA00603F	6" (150mm)	177 - 185mm	3/4" Female		
SCA00604F	6" (150mm)	177 - 185mm	1" Female		
SCA00802F	8" (200mm)	229 - 237mm	1/2" Female		
SCA00803F	8" (200mm)	229 - 237mm	3/4" Female		
SCA00804F	8" (200mm)	229 - 237mm	1" Female		
SCA00902F	9" (225mm)	256 - 264mm	1/2" Female		
SCA00903F	9" (225mm)	256 - 264mm	3/4" Female		
SCA00904F	9" (225mm)	256 - 264mm	1" Female		

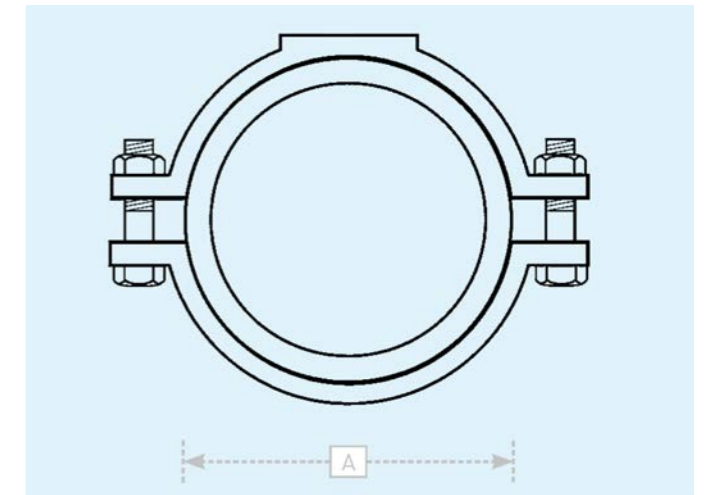
Plastic Banjo, EBCO Pushfit outlet for metric MDPE pipe

Part Number	Nominal Pipe Bore	Strap Size (A)	Outlet	Box Quantity	Weight (Kg each)
SCA01525Z/P	1 1/2" (40mm)	55 - 61mm	25mm BPF		
SCA00225Z/P	2" (50mm)	62 - 74mm	25mm BPF	5	1.390
SCA00325Z/P	3" (80mm)	96 - 101mm	25mm BPF		
SCA00425Z/P	4" (100mm)	122 - 130mm	25mm BPF		
SCA00432Z/P	4" (100mm)	122 - 130mm	32mm BPF		
SCA00625Z/P	6" (150mm)	177 - 185mm	25mm BPF		
SCA00725Z/P	7" (100mm)	200 - 210mm	25mm BPF	4	
SCA00825Z/P	8" (200mm)	229 - 237mm	25mm BPF	3	
SCA00925Z/P	9" (225mm)	256 - 264mm	25mm BPF	2	2.807
SCA01025Z/P	10" (250mm)	286 - 294mm	25mm BPF	5	
SCA01225Z/P	12" (300mm)	344 - 352mm	25mm BPF	5	3.744
SCA01232Z/P	12" (300mm)	344 - 352mm	32mm BPF		

Gunmetal Banjo, EBCO Pushfit outlet for metric MDPE pipe

Part Number	Nominal Pipe Bore	Strap Size (A)	Outlet	Box Quantity	Weight (Kg each)
SCA00220Z	2" (50mm)	62 - 74mm	20mm BPF		
SCA00225Z	2" (50mm)	62 - 74mm	25mm BPF		
SCA00320Z	3" (80mm)	96 - 101mm	20mm BPF		
SCA00325Z	3" (80mm)	96 - 101mm	25mm BPF		
SCA00332Z	3" (80mm)	96 - 101mm	32mm BPF		
SCA00420Z	4" (100mm)	122 - 130mm	20mm BPF		
SCA00425Z	4" (100mm)	122 - 130mm	25mm BPF		
SCA00432Z	4" (100mm)	122 - 130mm	32mm BPF		
SCA00520Z	5" (125mm)	144 - 154mm	20mm BPF		
SCA00525Z	5" (125mm)	144 - 154mm	25mm BPF	5	1.938
SCA00532Z	5" (125mm)	144 - 154mm	32mm BPF		
SCA00620Z	6" (150mm)	177 - 185mm	20mm BPF		
SCA00625Z	6" (150mm)	177 - 185mm	25mm BPF		
SCA00632Z	6" (150mm)	177 - 185mm	32mm BPF		
SCA00820Z	8" (200mm)	229 - 237mm	20mm BPF		
SCA00825Z	8" (200mm)	229 - 237mm	25mm BPF		2.327
SCA00832Z	8" (200mm)	229 - 237mm	32mm BPF		
SCA00920Z	9" (225mm)	256 - 264mm	20mm BPF		
SCA00925Z	9" (225mm)	256 - 264mm	25mm BPF		
SCA00932Z	9" (225mm)	256 - 264mm	32mm BPF		
SCA01025Z	10" (250mm)	286 - 294mm	25mm BPF		3.013
SCA01032Z	10" (250mm)	286 - 294mm	32mm BPF		
SCA01225Z	12" (300mm)	344 - 352mm	25mm BPF		
SCA01232Z	12" (300mm)	344 - 352mm	32mm BPF		3.590

TALBOT Combined Saddle Ferrule Asbestos Cement / Cast Iron Pipe



Imperial Pipe Sizes

Gunmetal Banjo, Talbot Pushfit outlet for metric MDPE with liner

Part Number	Nominal Pipe Bore	Strap Size (A)	Outlet	Box Quantity	Weight (Kg each)
E3824	2" (50mm)	62 - 74mm	20mm PF		
E3003	2" (50mm)	62 - 74mm	25mm PF		
E2907	3" (80mm)	96 - 101mm	20mm PF		
E2911	3" (80mm)	96 - 101mm	25mm PF		
E2908	4" (100mm)	122 - 130mm	20mm PF		
E2913	4" (100mm)	122 - 130mm	25mm PF		
E2928	4" (100mm)	122 - 130mm	32mm PF		
E2909	6" (150mm)	177 - 185mm	20mm PF		
E2915	6" (150mm)	177 - 185mm	25mm PF		
E3624	6" (150mm)	177 - 185mm	32mm PF		
E11260	6" (150mm)	177 - 185mm	50mm PF	2	
E11295	8" (200mm)	229 - 237mm	20mm PF		
E11294	8" (200mm)	229 - 237mm	32mm PF		
E2917*	8" (200mm)	236 - 246mm	25mm PF		
E2929*	8" (200mm)	236 - 246mm	32mm PF		
E2918*	9" (225mm)	268 - 276mm	25mm PF		
E4237*	9" (225mm)	268 - 276mm	32mm PF	2	
E4132*	9" (225mm)	268 - 276mm	63mm PF		
E9107*	10" (250mm)	294 - 302mm	25mm PF		
E9106*	10" (250mm)	294 - 302mm	32mm PF		
E4859	12" (300mm)	344 - 352mm	20mm PF		
E3004	12" (300mm)	344 - 352mm	25mm PF		

Plastic Banjo, Talbot Pushfit outlet for metric MDPE with liner

Part Number	Nominal Pipe Bore	Strap Size (A)	Outlet	Box Quantity	Weight (Kg each)
E3867	2" (50mm)	62 - 74mm	20mm PF		
E3945	2" (50mm)	62 - 74mm	25mm PF		
E10469	2" (50mm)	62 - 74mm	32mm PF		
E3847	3" (80mm)	96 - 101mm	20mm PF		
E3918	3" (80mm)	96 - 101mm	25mm PF		
E3913	4" (100mm)	122 - 130mm	25mm PF	8	
E3877	4" (100mm)	122 - 130mm	32mm PF		
E3856	6" (150mm)	177 - 185mm	20mm PF		
E3916	6" (150mm)	177 - 185mm	25mm PF		
E3897	6" (150mm)	177 - 185mm	32mm PF		
E3920*	8" (200mm)	238 - 246mm	25mm PF		
E3878*	8" (200mm)	238 - 246mm	32mm PF		
E3938*	9" (225mm)	268 - 276mm	25mm PF		
E3944	12" (300mm)	344 - 352mm	25mm PF		

TALBOT Combined Saddle Ferrule Asbestos Cement / Cast Iron Pipe

Gunmetal Banjo, Talbot Pushfit outlet for imperial PE no liner

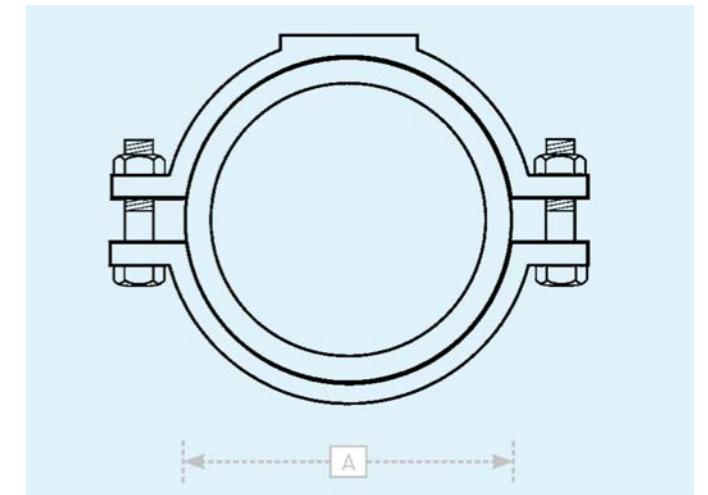
Part Number	Nominal Pipe Bore	Strap Size (A)	Outlet	Box Quantity	Weight (Kg each)
E4731	2" (50mm)	62 - 74mm	¾" PF		
E5772	4" (100mm)	122 - 130mm	½" PF		
E6062	4" (100mm)	122 - 130mm	¾" PF		
E3456	4" (100mm)	122 - 130mm	1" PF		
E7186	4" (100mm)	122 - 130mm	2" PF		
E7564	6" (150mm)	177 - 185mm	½" PF		
E7565	6" (150mm)	177 - 185mm	1" PF		
E6957	6" (150mm)	177 - 185mm	1 ½" PF		
E6066	6" (150mm)	177 - 185mm	2" PF		
E6063*	8" (200mm)	238 - 246mm	2" PF		
E8503*	9" (225mm)	268 - 276mm	¾" PF		
E8502*	9" (225mm)	268 - 276mm	1" PF		
E8762	12" (300mm)	344 - 352mm	2" PF		

Plastic Banjo, Talbot Pushfit outlet for imperial PE no liner

Part Number	Nominal Pipe Bore	Strap Size (A)	Outlet	Box Quantity	Weight (Kg each)
E5837	4" (100mm)	122 - 130mm	½" PF		
E3892	4" (100mm)	122 - 130mm	1" PF		
E6064*	8" (200mm)	238 - 246mm	½" PF		
E6065*	8" (200mm)	238 - 246mm	1" PF		
E7843	12" (300mm)	344 - 352mm	1 ½" PF		

*Metric Asbestos Cement Pipe Class 25

EBCO Combined Saddle Ferrule Ductile Iron Pipe



Gunmetal Banjo, EBCO Pushfit outlet for metric MDPE pipe

Part Number	Nominal Pipe Bore	Strap Size (A)	Outlet	Box Quantity	Weight (Kg each)
SCA00320Z	3" (80mm)	96 - 101mm	20mm PF		
SCA00325Z	3" (80mm)	96 - 101mm	25mm PF		
SCA00332Z	3" (80mm)	96 - 101mm	32mm PF		
SCA00425Z	4" (100mm)	110 - 118mm	25mm PF		
SCA00625Z	6" (150mm)	165 - 175mm	25mm PF		
SCA00825Z	8" (200mm)	217 - 225mm	25mm PF		
SCA00920Z	10" (250mm)	268 - 276mm	20mm PF		
SCA00925Z	10" (250mm)	268 - 276mm	25mm PF		
SCA00932Z	10" (250mm)	268 - 276mm	32mm PF	2	

Plastic Banjo, EBCO Pushfit outlet for metric MDPE pipe

Part Number	Nominal Pipe Bore	Strap Size (A)	Outlet	Box Quantity	Weight (Kg each)
SCA00325Z/P	3" (80mm)	96 - 101mm	25mm BPF		
SCA00925Z/P	10" (250mm)	268 - 276mm	25mm BPF	2	2.81

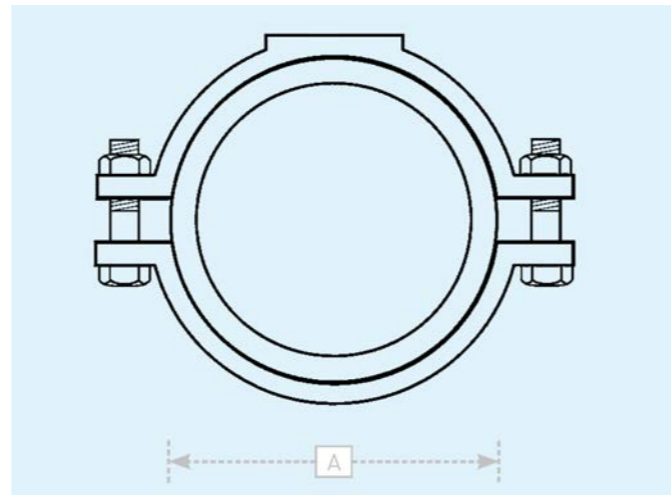
Gunmetal Banjo, EBCO-B Compression fitting outlet for metric MDPE pipe

Part Number	Nominal Pipe Bore	Strap Size (A)	Outlet	Box Quantity	Weight (Kg each)
SCA00320B	3" (80mm)	96 - 101mm	20mm EBCO-B		
SCA00325B	3" (80mm)	96 - 101mm	25mm EBCO-B		
SCA00332B	3" (80mm)	96 - 101mm	32mm EBCO-B		
SCA00920B	10" (250mm)	268 - 276mm	20mm EBCO-B		
SCA00925B	10" (250mm)	268 - 276mm	25mm EBCO-B		
SCA00932B	10" (250mm)	268 - 276mm	32mm EBCO-B		

Gunmetal Banjo, EBCO-S Compression fitting outlet for type B copper tube

Part Number	Nominal Pipe Bore	Strap Size (A)	Outlet	Box Quantity	Weight (Kg each)
SCA00315S	3" (80mm)	96 - 101mm	15mm Copper		
SCA00322S	3" (80mm)	96 - 101mm	22mm Copper		
SCA00328S	3" (80mm)	96 - 101mm	28mm Copper		
SCA00915S	10" (250mm)	268 - 276mm	15mm Copper		
SCA00922S	10" (250mm)	268 - 276mm	22mm Copper		
SCA00928S	10" (250mm)	268 - 276mm	28mm Copper		

TALBOT Combined Saddle Ferrule Ductile Iron Pipe



TALBOT Combined Saddle Ferrule Ductile Iron Pipe

Plastic Banjo, Talbot Pushfit outlet for imperial PE no liner

Part Number	Nominal Pipe Bore	Strap Size (A)	Outlet	Box Quantity	Weight (Kg each)
E3965	4" (100mm)	110 - 118mm	¾" PF		
E11214	4" (100mm)	110 - 118mm	1 ½" PF		
E5839	6" (150mm)	165 - 173mm	2" PF		
E5836	8" (200mm)	217 - 225mm	½" PF		
E5840	8" (200mm)	217 - 225mm	1" PF		
E5838	8" (200mm)	217 - 225mm	2" PF		

Gunmetal Banjo, Talbot Pushfit Outlet for metric MDPE with liner

Part Number	Nominal Pipe Bore	Strap Size (A)	Outlet	Box Quantity	Weight (Kg each)
E2907	3" (80mm)	96 - 101mm	20mm PF		
E2911	3" (80mm)	96 - 101mm	25mm PF		
E5757	4" (100mm)	110 - 118mm	20mm PF		
E2912	4" (100mm)	110 - 118mm	25mm PF		
E5809	4" (100mm)	110 - 118mm	63mm PF		
E2914	6" (150mm)	165 - 173mm	25mm PF		
E5302	6" (150mm)	165 - 173mm	50mm PF		
E4696	6" (150mm)	165 - 173mm	63mm PF		
E2916	8" (200mm)	217 - 225mm	25mm PF		
E4338	8" (200mm)	217 - 225mm	32mm PF	6	
E9979	8" (200mm)	217 - 225mm	63mm PF	2	
E2918	10" (250mm)	268 - 276mm	25mm PF		
E4237	10" (250mm)	268 - 276mm	32mm PF	2	
E4132	10" (250mm)	268 - 276mm	63mm PF		
E4107	12" (300mm)	322 - 330mm	25mm PF	5	
E9899	12" (300mm)	322 - 330mm	32mm PF	5	
E9980	12" (300mm)	322 - 330mm	63mm PF		

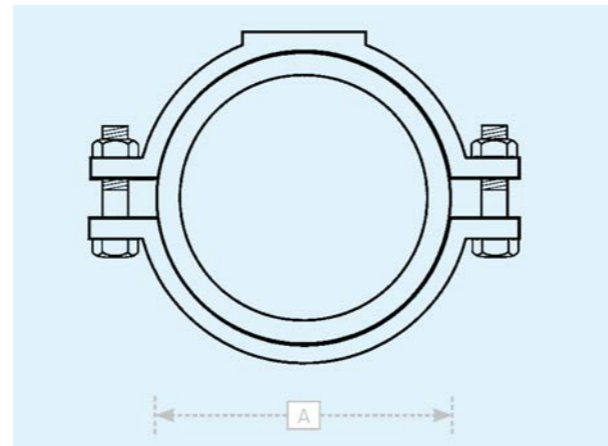
Plastic Banjo, Talbot Pushfit Outlet for metric MDPE with liner

Part Number	Nominal Pipe Bore	Strap Size (A)	Outlet	Box Quantity	Weight (Kg each)
E3847	3" (80mm)	96 - 101mm	20mm PF		
E3918	3" (80mm)	96 - 101mm	25mm PF		
E3914	4" (100mm)	110 - 118mm	25mm PF		
E6550	4" (100mm)	110 - 118mm	63mm PF		
E3917	6" (150mm)	165 - 173mm	25mm PF		
E6553	6" (150mm)	165 - 173mm	63mm PF		
E3915	8" (200mm)	217 - 225mm	25mm PF		
E3938	10" (250mm)	268 - 276mm	25mm PF		
E8369	12" (300mm)	322 - 330mm	32mm PF		

Gunmetal Banjo, Talbot Pushfit outlet for imperial PE no liner

Part Number	Nominal Pipe Bore	Strap Size (A)	Outlet	Box Quantity	Weight (Kg each)
E2903	4" (100mm)	110 - 118mm	¾" PF		
E3906	8" (100mm)	217 - 225mm	¾" PF		
E8503	10" (250mm)	268 - 276mm	¾" PF		
E8502	10" (250mm)	268 - 276mm	1" PF		
E8504	12" (300mm)	322 - 330mm	¾" PF		
E8505	12" (300mm)	322 - 330mm	1" PF		

EBCO Combined Saddle Ferrule PE / PVC Pipe



Imperial Pipe Sizes

Gunmetal Banjo, EBCO BSP female outlet

Part Number	Nominal Pipe Bore	Strap Size (A)	Outlet	Box Quantity	Weight (Kg each)
SCP00408F	4" (100mm)	110 - 118mm	2" Female	2	
SCP00608F	6" (150mm)	165 - 173mm	2" Female		
SCP00808F	8" (200mm)	217 - 225mm	2" Female		

Gunmetal Banjo, EBCO Pushfit outlet for metric MDPE pipe

Part Number	Nominal Pipe Bore	Strap Size (A)	Outlet	Box Quantity	Weight (Kg each)
SCP00425Z	4" (100mm)	110 - 118mm	25mm BPF		
SCP00625Z	6" (150mm)	165 - 173mm	25mm BPF		
SCP00825Z	8" (200mm)	217 - 225mm	25mm BPF		
SCP00925Z	9" (225mm)	238 - 246mm	25mm BPF		

Plastic Banjo, EBCO Pushfit outlet for metric MDPE pipe

Part Number	Nominal Pipe Bore	Strap Size (A)	Outlet	Box Quantity	Weight (Kg each)
SCP00925Z/P	9" (225mm)	238 - 246mm	25mm BPF	5	
SCP00932Z/P	9" (225mm)	238 - 246mm	32mm BPF	2	

Metric Pipe Sizes

Gunmetal Banjo, EBCO Pushfit outlet for metric MDPE pipe

Part Number	Nominal Pipe Outside Diameter	Strap Size (A)	Outlet	Box Quantity	Weight (Kg each)
SCP09025Z	90mm	88 - 92mm	25mm BPF		

Plastic Banjo, EBCO Pushfit outlet for metric MDPE pipe

Part Number	Nominal Pipe Outside Diameter	Strap Size (A)	Outlet	Box Quantity	Weight (Kg each)
SCP40025Z/P	400mm	396 - 404mm	25mm BPF		
SCP40032Z/P	400mm	396 - 404mm	32mm BPF		
SCP45025Z/P	450mm		25mm BPF		
SCP56032Z/P	560mm		32mm BPF		

Gunmetal Banjo, EBCO-B Compression Fitting Outlet

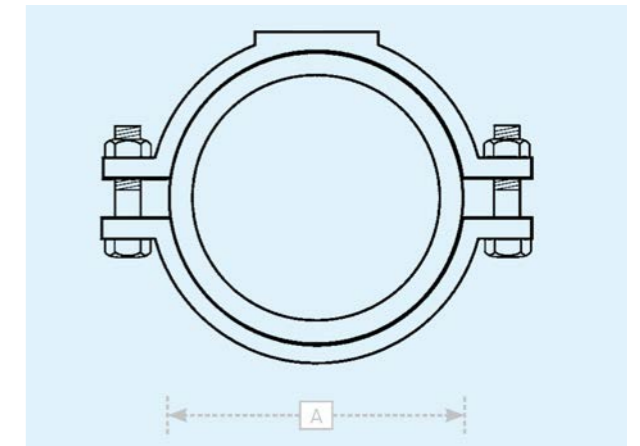
Part Number	Nominal Pipe Outside Diameter	Strap Size (A)	Outlet	Box Quantity	Weight (Kg each)
SCP06320B*	63mm	58 - 62mm	20mm EBCO-B		

Gunmetal Banjo, EBCO-S Compression Fitting Outlet (Type B Copper Tube)

Part Number	Nominal Pipe Outside Diameter	Strap Size (A)	Outlet	Box Quantity	Weight (Kg each)
SCP11022S	110mm	110 - 118mm	22mm Copper		

* Not suitable for metric PVC pipe

TALBOT Combined Saddle Ferrule PE / PVC Pipe



Imperial Pipe Sizes

Gunmetal Banjo, Talbot Pushfit outlet for metric MDPE pipe with liner

Part Number	Nominal Pipe Bore	Strap Size (A)	Tapping Size	Box Quantity	Weight (Kg each)
E3009	2" (50mm)	60 - 64mm	20mm PF		
E3010	2" (50mm)	60 - 64mm	25mm PF		
E2910	3" (80mm)	88 - 92mm	25mm PF		
E6656	3" (80mm)	88 - 92mm	63mm PF		
E5757	4" (100mm)	110 - 118mm	20mm PF		
E2912	4" (100mm)	110 - 118mm	25mm PF		
E5809	4" (100mm)	110 - 118mm	63mm PF		
E2914	6" (150mm)	165 - 173mm	25mm PF		
E5302	6" (150mm)	165 - 173mm	50mm PF		
E4696	6" (150mm)	165 - 173mm	63mm PF		
E2916	8" (200mm)	217 - 225mm	25mm PF		
E4338	8" (200mm)	217 - 225mm	32mm PF		
E9979	8" (200mm)	217 - 225mm	63mm PF		
E2917	9" (225mm)	238 - 246mm	25mm PF		
E2929	9" (225mm)	238 - 246mm	32mm PF		
E2918	10" (250mm)	268 - 276mm	25mm PF		
E4237	10" (250mm)	268 - 276mm	32mm PF		
E4132	10" (250mm)	268 - 276mm	63mm PF		
E4107	12" (300mm)	322 - 330mm	25mm PF		
E9899	12" (300mm)	322 - 330mm	32mm PF		
E9980	12" (300mm)	322 - 330mm	63mm PF		

Plastic Banjo, Talbot Pushfit outlet for metric MDPE with liner

Part Number	Nominal Pipe Bore	Strap Size (A)	Outlet	Box Quantity	Weight (Kg each)
E3848	2" (50mm)	60 - 64mm	20mm PF		
E3922	2" (50mm)	60 - 64mm	25mm PF		
E3919	3" (80mm)	88 - 92mm	25mm PF		
E3914	4" (100mm)	110 - 118mm	25mm PF		
E6550	4" (100mm)	110 - 118mm	63mm PF		
E3917	6" (150mm)	165 - 173mm	25mm PF		
E6553	6" (150mm)	165 - 173mm	63mm PF		
E3915	8" (200mm)	217 - 225mm	25mm PF		
E3920	9" (225mm)	238 - 246mm	25mm PF		
E3878	9" (225mm)	238 - 246mm	32mm PF		
E3938	10" (250mm)	268 - 276mm	25mm PF		
E8369	12" (300mm)	322 - 330mm	32mm PF		

TALBOT Combined Saddle Ferrule PE / PVC Pipe

Gunmetal Banjo, Talbot Pushfit outlet for imperial PE no liner

Part Number	Nominal Pipe Bore	Strap Size (A)	Outlet	Box Quantity	Weight (Kg each)
E4742	2" (50mm)	60 - 64mm	3/4" PF		
E2903	4" (100mm)	110 - 118mm	3/4" PF		
E3906	8" (200mm)	217 - 225mm	3/4" PF		
E6063	9" (225mm)	238 - 246mm	2" PF		
E8503	10" (250mm)	268 - 276mm	3/4" PF		
E8502	10" (250mm)	268 - 276mm	1" PF		
E8504	12" (300mm)	322 - 330mm	3/4" PF		
E8505	12" (300mm)	322 - 330mm	1" PF		

Metric Pipe Sizes

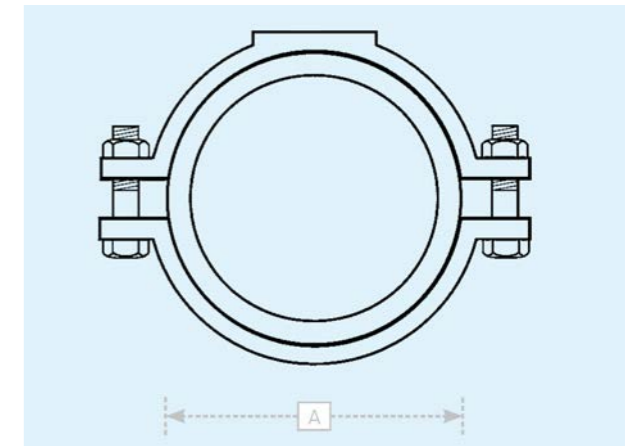
Gunmetal Banjo, Talbot Pushfit outlet for metric MDPE with liner

Part Number	Nominal Pipe	Strap Size (A)	Outlet	Box Quantity	Weight (Kg each)
E2906	63mm	60 - 64mm	20mm PF		
E5134	160mm	155 - 163mm	25mm PF		

Plastic Banjo, Talbot Pushfit outlet for metric MDPE with liner

Part Number	Nominal Pipe	Strap Size (A)	Outlet	Box Quantity	Weight (Kg each)
E3854	63mm	60 - 64mm	20mm PF		
E7378	315mm	308 - 316mm	25mm PF		
E7379	315mm	308 - 316mm	32mm PF		

EBCO Self Tapping Ferrule Straps Asbestos Cement Pipe



Imperial Pipe Sizes

Gunmetal Banjo, EBCO BSP female threaded outlet

Part Number	Nominal Pipe Bore	Strap Size (A)	Outlet	Box Quantity	Weight (Kg each)
STA00202F	2" (50mm)	62 - 74mm	1/2" Female		
STA00203F	2" (50mm)	62 - 74mm	3/4" Female		
STA00302F	3" (80mm)	96 - 101mm	1/2" Female		
STA00303F	3" (80mm)	96 - 101mm	3/4" Female		
STA00402F	4" (100mm)	122 - 130mm	1/2" Female		
STA00403F	4" (100mm)	122 - 130mm	3/4" Female		
STA00602F	6" (150mm)	177 - 185mm	1/2" Female		
STA00603F	6" (150mm)	177 - 185mm	3/4" Female		1.66
STA00802F	8" (200mm)	229 - 237mm	1/2" Female		
STA00803F	8" (200mm)	229 - 237mm	3/4" Female		

Gunmetal Banjo, EBCO Pushfit outlet for metric MDPE pipe

Part Number	Nominal Pipe Bore	Strap Size (A)	Outlet	Box Quantity	Weight (Kg each)
STA00225Z	2" (50mm)	62 - 74mm	25mm BPF	10	
STA00320Z	3" (80mm)	96 - 101mm	20mm BPF		
STA00325Z	3" (80mm)	96 - 101mm	25mm BPF	12	1.096
STA00420Z	4" (100mm)	122 - 130mm	20mm BPF		
STA00425Z	4" (100mm)	122 - 130mm	25mm BPF	8	1.336
STA00525Z	5" (125mm)	144 - 154mm	25mm BPF		
STA00620Z	6" (150mm)	177 - 185mm	20mm BPF		
STA00625Z	6" (150mm)	177 - 185mm	25mm BPF	5	1.660
STA00725Z	7" (175mm)	200 - 210mm	25mm BPF		
STA00825Z	8" (200mm)	229 - 237mm	25mm BPF	3	2.668
STA00925Z	9" (225mm)	258 - 264mm	25mm BPF		3.053

Plastic Banjo, EBCO Pushfit outlet for metric MDPE pipe

Part Number	Nominal Pipe Bore	Strap Size (A)	Outlet	Box Quantity	Weight (Kg each)
STA00225Z/P	2" (50mm)	62 - 74mm	25mm BPF		1.450
STA00325Z/P	3" (80mm)	96 - 101mm	25mm BPF	12	1.029
STA00425Z/P	4" (100mm)	122 - 130mm	25mm BPF	8	1.088
STA00625Z/P	6" (150mm)	177 - 185mm	25mm BPF	5	1.400
STA00825Z/P	8" (200mm)	229 - 237mm	25mm BPF		1.324

EBCO Self Tapping Ferrule Straps Asbestos Cement Pipe

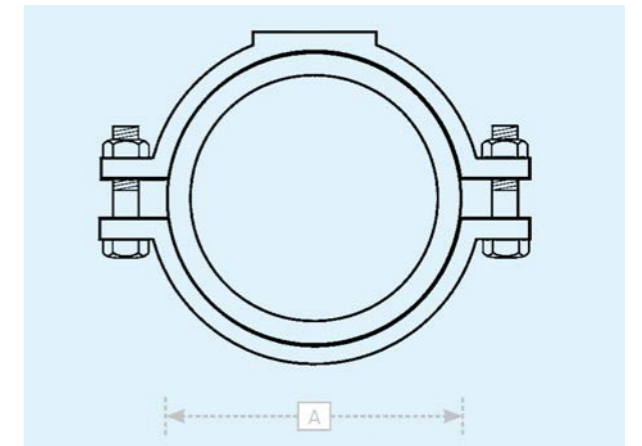
TALBOT Self Tapping Ferrule Straps Asbestos Cement Pipe

Gunmetal Banjo, EBCO-B Compression fitting outlet

Part Number	Nominal Pipe Bore	Strap Size (A)	Outlet	Box Quantity	Weight (Kg each)
STA00320B	3" (80mm)	96 - 101mm	20mm EBCO-B		
STA00325B	3" (80mm)	96 - 101mm	25mm EBCO-B		
STA00420B	4" (100mm)	122 - 130mm	20mm EBCO-B		
STA00425B	4" (100mm)	122 - 130mm	25mm EBCO-B		
STA00620B	6" (150mm)	177 - 185mm	20mm EBCO-B		
STA00625B	6" (150mm)	177 - 185mm	25mm EBCO-B		

Gunmetal Banjo, EBCO-S Compression fitting outlet for type B copper tube

Part Number	Nominal Pipe Bore	Strap Size (A)	Outlet	Box Quantity	Weight (Kg each)
STA00315S	3" (80mm)	96 - 101mm	15mm Copper		1.450
STA00322S	3" (80mm)	96 - 101mm	22mm Copper		1.029
STA00415S	4" (100mm)	122 - 130mm	15mm Copper		1.088
STA00422S	4" (100mm)	122 - 130mm	22mm Copper		1.400
STA00615S	6" (150mm)	177 - 185mm	15mm Copper		1.324



Gunmetal Banjo, Talbot Pushfit outlet for metric MDPE no liner

Part Number	Nominal Pipe Bore	Strap Size (A)	Outlet	Box Quantity	Weight (Kg each)
E11268	4" (100mm)	122 - 130mm	20mm PF		
E11364	4" (100mm)	122 - 130mm	25mm PF		

Plastic Banjo, Talbot Pushfit outlet for metric MDPE with liner

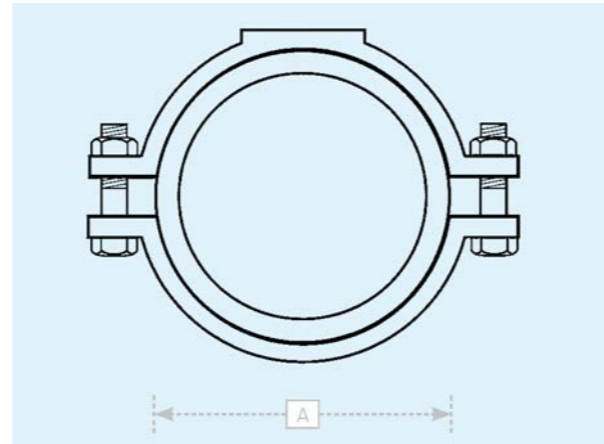
Part Number	Nominal Pipe Bore	Strap Size (A)	Outlet	Box Quantity	Weight (Kg each)
E8358	3" (80mm)	96 - 101mm	20mm PF		
E8359	3" (80mm)	96 - 101mm	25mm PF	12	
E8360	3" (80mm)	96 - 101mm	32mm PF	10	
E8361	4" (100mm)	122 - 130mm	20mm PF		
E8362	4" (100mm)	122 - 130mm	25mm PF	8	
E8363	4" (100mm)	122 - 130mm	32mm PF	7	
E8364	6" (150mm)	177 - 185mm	20mm PF		
E8365	6" (150mm)	177 - 185mm	25mm PF	5	
E8366	6" (150mm)	177 - 185mm	32mm PF	5	

Plastic Banjo, Talbot Pushfit outlet for imperial PE no liner

Part Number	Nominal Pipe Bore	Strap Size (A)	Outlet	Box Quantity	Weight (Kg each)
E8744	3" (80mm)	96 - 101mm	3/4" PF		
E8742	4" (100mm)	122 - 130mm	3/4" PF		
E8743	6" (150mm)	177 - 185mm	3/4" PF		

EBCO Self Tapping Ferrule Straps PE / PVC Pipe

EBCO Self Tapping Ferrule Straps PE / PVC Pipe



Imperial Pipe Sizes

Gunmetal Banjo, EBCO BSP female outlet

Part Number	Nominal Pipe Bore	Strap Size (A)	Outlet	Box Quantity	Weight (Kg each)
STP00602F	6" (150mm)	165 - 173mm	1/2" Female		
STP00603F	6" (150mm)	165 - 173mm	3/4" Female		1.484
STP00604F	6" (150mm)	165 - 173mm	1" Female	6	1.896
STP00802F	8" (200mm)	217 - 225mm	1/2" Female		2.175
STP00803F	8" (200mm)	217 - 225mm	3/4" Female	5	
STP00804F	8" (200mm)	217 - 225mm	1" Female		
STP01004F	10" (250mm)	268 - 276mm	1" Female		

Gunmetal Banjo, EBCO Pushfit outlet for metric MDPE pipe

Part Number	Nominal Pipe Bore	Strap Size (A)	Outlet	Box Quantity	Weight (Kg each)
STP00620Z	6" (150mm)	165 - 173mm	20mm BPF		
STP00625Z	6" (150mm)	165 - 173mm	25mm BPF		1.553
STP00632Z	6" (150mm)	165 - 173mm	32mm BPF		
STP00820Z	8" (200mm)	217 - 225mm	20mm BPF		
STP00825Z	8" (200mm)	217 - 225mm	25mm BPF		
STP00832Z	8" (200mm)	217 - 225mm	32mm BPF		
STP01020Z	10" (250mm)	268 - 276mm	20mm BPF		
STP01025Z	10" (250mm)	268 - 276mm	25mm BPF		
STP01232Z	12" (300mm)	322 - 330mm	32mm BPF		

Plastic Banjo, EBCO Pushfit outlet for metric MDPE pipe

Part Number	Nominal Pipe Bore	Strap Size (A)	Outlet	Box Quantity	Weight (Kg each)
STP00620Z/P	6" (150mm)	165 - 173mm	20mm BPF		
STP00625Z/P	6" (150mm)	165 - 173mm	25mm BPF		1.304
STP00632Z/P	6" (150mm)	165 - 173mm	32mm BPF		
STP00820Z/P	8" (200mm)	217 - 225mm	20mm BPF		
STP00825Z/P	8" (200mm)	217 - 225mm	25mm BPF		1.631
STP00832Z/P	8" (200mm)	217 - 225mm	32mm BPF		1.980
STP01020Z/P	10" (250mm)	268 - 276mm	20mm BPF		
STP01025Z/P	10" (250mm)	268 - 276mm	25mm BPF	3	3.217
STP01032Z/P	10" (250mm)	268 - 276mm	32mm BPF		2.829
STP01232Z/P	12" (300mm)	322 - 330mm	32mm BPF		

Gunmetal Banjo, EBCO-B Compression fitting outlet for metric MDPE pipe

Part Number	Nominal Pipe Bore	Strap Size (A)	Outlet	Box Quantity	Weight (Kg each)
STP00625B	6" (150mm)	165 - 173mm	25mm EBCO-B		
STP00632B	6" (150mm)	165 - 173mm	32mm EBCO-B		
STP00825B	8" (200mm)	217 - 225mm	25mm EBCO-B		
STP00832B	8" (200mm)	217 - 225mm	32mm EBCO-B		

Gunmetal Banjo, EBCO-S Compression fitting outlet for type B copper tube

Part Number	Nominal Pipe Bore	Strap Size (A)	Outlet	Box Quantity	Weight (Kg each)
STP00428S	4" (100mm)	110 - 118mm	28mm Copper		
STP00615S	6" (150mm)	165 - 173mm	15mm Copper		
STP00622S	6" (150mm)	165 - 173mm	22mm Copper		
STP00628S	6" (150mm)	165 - 173mm	28mm Copper		
STP00815S	8" (200mm)	217 - 225mm	15mm Copper		
STP00822S	8" (200mm)	217 - 225mm	22mm Copper		
STP00828S	8" (200mm)	217 - 225mm	28mm Copper		

Metric Pipe Sizes

Gunmetal Banjo, EBCO BSP female outlet

Part Number	Nominal Pipe	Strap Size (A)	Outlet	Box Quantity	Weight (Kg each)
STP03202F	32mm	29 - 34mm	1/2" Female		
STP03203F	32mm	29 - 34mm	3/4" Female		
STP05002F	50mm	46 - 50.5mm	1/2" Female		
STP05003F	50mm	46 - 50.5mm	3/4" Female		
STP06302F	63mm	60 - 64mm	1/2" Female		
STP06303F	63mm	60 - 64mm	3/4" Female		1.040
STP09002F	90mm	88 - 92mm	1/2" Female		
STP09003F	90mm	88 - 92mm	3/4" Female	8	
STP09004F	90mm	88 - 92mm	1" Female		1.469
STP11002F	110mm	110 - 118mm	1/2" Female		
STP11003F	110mm	110 - 118mm	3/4" Female	8	1.382
STP11004F	110mm	110 - 118mm	1" Female	8	
STM12503F	125mm	122 - 130mm	3/4" Female		
STM12504F	125mm	122 - 130mm	1" Female		
STP16002F	160mm	155 - 164mm	1/2" Female		
STP16003F	160mm	155 - 164mm	3/4" Female		
STP16004F	160mm	155 - 164mm	1" Female		
STM18002F/P	180mm	177 - 185mm	1/2" Female		
STM18003F/P	180mm	177 - 185mm	3/4" Female		
STM18004F	180mm	177 - 185mm	1" Female		
STP20002F	200mm	195 - 203mm	1/2" Female		
STP20003F	200mm	195 - 203mm	3/4" Female		
STP20004F	200mm	195 - 203mm	1" Female		
STP22503F	225mm	217 - 225mm	3/4" Female	3	
STP25002F	250mm	250 - 258mm	1/2" Female		
STP25003F	250mm	250 - 258mm	3/4" Female	3	
STP25004F	250mm	250 - 258mm	1" Female		
STP31502F	315mm	315mm	1/2" Female		
STP31503F	315mm	315mm	3/4" Female		
STP31504F	315mm	315mm	1" Female		

Gunmetal Banjo, EBCO Pushfit outlet for metric MDPE pipe

Part Number	Nominal Pipe	Strap Size (A)	Outlet	Box Quantity	Weight (Kg each)
STP03220Z	32mm	29 - 34mm	20mm BPF		
STP03225Z	32mm	29 - 34mm	25mm BPF		
STP05020Z	50mm	46 - 50.5mm	20mm BPF		
STP05025Z	50mm	46 - 50.5mm	25mm BPF		
STP06320Z	63mm	60 - 64mm	20mm BPF		
STP06325Z	63mm	60 - 64mm	25mm BPF	15	1.116
STP06332Z	63mm	60 - 64mm	32mm BPF		
STP09020Z	90mm	88 - 92mm	20mm BPF		
STP09025Z	90mm	88 - 92mm	25mm BPF	12	1.228
STP09032Z	90mm	88 - 92mm	32mm BPF	8	
STP11020Z	110mm	110 - 118mm	20mm BPF		
STP11025Z	110mm	110 - 118mm	25mm BPF	10	1.259
STP11032Z	110mm	110 - 118mm	32mm BPF		
STM12520Z	125mm	122 - 130mm	20mm BPF		
STM12525Z	125mm	122 - 130mm	25mm BPF		1.320
STM12532Z	125mm	122 - 130mm	32mm BPF	5	1.775
STP16020Z	160mm	155 - 163mm	20mm BPF		
STP16025Z	160mm	155 - 163mm	25mm BPF		
STP16032Z	160mm	155 - 163mm	32mm BPF	6	
STM18020Z	180mm	177 - 185mm	20mm BPF		
STM18025Z	180mm	177 - 185mm	25mm BPF	6	1.559
STM18032Z	180mm	177 - 185mm	32mm BPF	5	
STP20020Z	200mm	195 - 203mm	20mm BPF		
STP20025Z	200mm	195 - 203mm	25mm BPF		
STP20032Z	200mm	195 - 203mm	32mm BPF		
STP22525Z	225mm	217 - 225mm	25mm BPF		
STP25020Z	250mm	250 - 258mm	20mm BPF		
STP25025Z	250mm	250 - 258mm	25mm BPF		
STP25032Z	250mm	250 - 258mm	32mm BPF		
STP31520Z	315mm	315mm	20mm BPF		
STP31525Z	315mm	315mm	25mm BPF		
STP31532Z	315mm	315mm	32mm BPF		

Plastic Banjo, EBCO Pushfit outlet for metric MDPE pipe

Part Number	Nominal Pipe	Strap Size (A)	Outlet	Box Quantity	Weight (Kg each)
STP03225Z/P	32mm	29 - 34mm	25mm BPF	12	0.907
STP05020Z/P	50mm	46 - 50.5mm	20mm BPF		
STP05025Z/P	50mm	46 - 50.5mm	25mm BPF	12	0.640
STP06320Z/P	63mm	60 - 64mm	20mm BPF		
STP06325Z/P	63mm	60 - 64mm	25mm BPF	15	0.868
STP06332Z/P	63mm	60 - 64mm	32mm BPF	10	
STP09020Z/P	90mm	88 - 92mm	20mm BPF		
STP09025Z/P	90mm	88 - 92mm	25mm BPF	12	0.878
STP09032Z/P	90mm	88 - 92mm	32mm BPF	10	
STP11020Z/P	110mm	110 - 118mm	20mm BPF		
STP11025Z/P	110mm	110 - 118mm	25mm BPF	10	1.022
STP11032Z/P	110mm	110 - 118mm	32mm BPF	8	1.307
STM12520Z/P	125mm	122 - 130mm	20mm BPF		
STM12525Z/P	125mm	122 - 130mm	25mm BPF	8	1.090
STM12532Z/P	125mm	122 - 130mm	32mm BPF	8	0.719
STP16020Z/P	160mm	155 - 163mm	20mm BPF		
STP16025Z/P	160mm	155 - 163mm	25mm BPF		1.279
STP16032Z/P	160mm	155 - 163mm	32mm BPF		
STM18020Z/P	180mm	177 - 185mm	20mm BPF	6	
STM18025Z/P	180mm	177 - 185mm	25mm BPF	6	1.379
STM18032Z/P	180mm	177 - 185mm	32mm BPF		1.705
STP20025Z/P	200mm	195 - 203mm	25mm BPF	5	1.580
STP20032Z/P	200mm	195 - 203mm	32mm BPF	8	
STP22525Z/P	225mm	217 - 225mm	25mm BPF	5	1.685
STP25025Z/P	250mm	250 - 258mm	25mm BPF	3	1.907
STP25032Z/P	250mm	250 - 258mm	32mm BPF	3	2.180
STP31525Z/P	315mm	315mm	25mm BPF	5	
STP31532Z/P	315mm	315mm	32mm BPF	5	3.200

**EBCO Self Tapping Ferrule Straps
PE / PVC Pipe**

Gunmetal Banjo, EBCO-B Compression fitting outlet for metric MDPE pipe

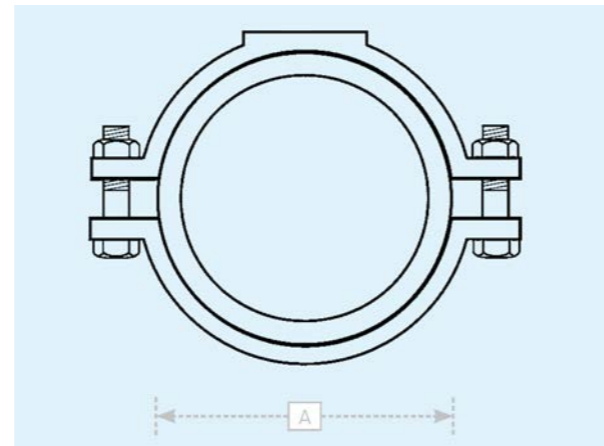
Part Number	Nominal Pipe	Strap Size (A)	Outlet	Box Quantity	Weight (Kg each)
STP03220B	32mm	29 - 34mm	20mm EBCO-B		
STP03225B	32mm	29 - 34mm	25mm EBCO-B		
STP05020B	50mm	46 - 50.5mm	20mm EBCO-B		
STP05025B	50mm	46 - 50.5mm	25mm EBCO-B		
STP06320B	63mm	60 - 64mm	20mm EBCO-B		
STP06325B	63mm	60 - 64mm	25mm EBCO-B		
STP09020B	90mm	88 - 92mm	20mm EBCO-B		
STP09025B	90mm	88 - 92mm	25mm EBCO-B		
STP09032B	90mm	88 - 92mm	32mm EBCO-B		
STP11025B	110mm	110 - 118mm	25mm EBCO-B		
STP11032B	110mm	110 - 118mm	32mm EBCO-B		
STM12520B	125mm	122 - 130mm	20mm EBCO-B		
STM12525B	125mm	122 - 130mm	25mm EBCO-B		
STM12532B	125mm	122 - 130mm	32mm EBCO-B		
STP16025B	160mm	155 - 163mm	25mm EBCO-B		
STP16032B	160mm	155 - 163mm	32mm EBCO-B		
STM18020B	180mm	177 - 185mm	20mm EBCO-B		
STM18032B	180mm	177 - 185mm	32mm EBCO-B		
STP20025B	200mm	195 - 203mm	25mm EBCO-B		
STP20032B	200mm	195 - 203mm	32mm EBCO-B		
STP25020B	250mm	250 - 258mm	20mm EBCO-B		
STP25025B	250mm	250 - 258mm	25mm EBCO-B		
STP25032B	250mm	250 - 258mm	32mm EBCO-B		
STP31520B	315mm	315mm	20mm EBCO-B		
STP31525B	315mm	315mm	25mm EBCO-B		
STP31532B	315mm	315mm	32mm EBCO-B		

Gunmetal Banjo, EBCO-S Compression fitting outlet for type B copper tube

Part Number	Nominal Pipe	Strap Size (A)	Outlet	Box Quantity	Weight (Kg each)
STP03215S	32mm	29 - 34mm	15mm Copper		
STP03222S	32mm	29 - 34mm	22mm Copper		
STP05015S	50mm	46 - 50.5mm	15mm Copper		
STP05022S	50mm	46 - 50.5mm	22mm Copper		
STP06315S	63mm	60 - 64mm	15mm Copper		
STP06322S	63mm	60 - 64mm	22mm Copper		
STP09015S	90mm	88 - 92mm	15mm Copper		
STP09022S	90mm	88 - 92mm	22mm Copper		
STP09028S	90mm	88 - 92mm	28mm Copper		
STP11015S	110mm	110 - 118mm	15mm Copper		
STP11022S	110mm	110 - 118mm	22mm Copper		
STM12515S	125mm	122 - 130mm	15mm Copper		
STM12522S	125mm	122 - 130mm	22mm Copper		
STM12528S	125mm	122 - 130mm	28mm Copper		
STP16015S	160mm	155 - 163mm	15mm Copper		
STP16022S	160mm	155 - 163mm	22mm Copper		
STP16028S	160mm	155 - 163mm	28mm Copper		
STM18022S	180mm	177 - 185mm	22mm Copper		
STP20015S	200mm	195 - 203mm	15mm Copper		
STP20022S	200mm	195 - 203mm	22mm Copper		
STP20028S	200mm	195 - 203mm	28mm Copper		
STP25015S	250mm	250 - 258mm	15mm Copper		
STP25022S	250mm	250 - 258mm	22mm Copper		
STP25028S	250mm	250 - 258mm	28mm Copper		
STP31515S	315mm	315mm	15mm Copper		
STP31522S	315mm	315mm	22mm Copper		
STP31528S	315mm	315mm	28mm Copper		

TALBOT Self Tapping Ferrule Straps PE / PVC Pipe

TALBOT Self Tapping Ferrule Straps PE / PVC Pipe



Gunmetal Banjo, Talbot Pushfit outlet for imperial MDPE no liner

Part Number	Nominal Pipe Bore	Strap Size (A)	Outlet	Box Quantity	Weight (Kg each)
E4388	1½" (40mm)	46 - 50.5mm	¾" PF		
E3066	2" (50mm)	60 - 64mm	½" PF		
E4635	2" (50mm)	60 - 64mm	¾" PF	15	1.021
E3069	3" (80mm)	88 - 92mm	½" PF		
E4463	3" (80mm)	88 - 92mm	¾" PF	12	1.13
E10525	3" (80mm)	88 - 92mm	1" PF	10	1.565
E4633	4" (100mm)	110 - 118mm	½" PF	10	1.082
E3072	4" (100mm)	110 - 118mm	¾" PF	10	1.182
E5146	4" (100mm)	110 - 118mm	1" PF	8	
E4632	6" (150mm)	165 - 173mm	½" PF		
E4732	6" (150mm)	165 - 173mm	¾" PF	6	
E5145	6" (150mm)	165 - 173mm	1" PF		
E3073	8" (200mm)	217 - 225mm	¾" PF	5	1.85
E3074	8" (200mm)	217 - 225mm	1" PF		

Gunmetal Banjo, Talbot Pushfit outlet for metric MDPE with liner

Part Number	Nominal Pipe Bore	Strap Size (A)	Outlet	Box Quantity	Weight (Kg each)
E3075	2" (50mm)	60 - 64mm	20mm PF		
E3080	2" (50mm)	60 - 64mm	25mm PF		
E3076	3" (80mm)	88 - 92mm	20mm PF		
E3083	3" (80mm)	88 - 92mm	25mm PF		
E3087	3" (80mm)	88 - 92mm	32mm PF		
E3077	4" (100mm)	110 - 118mm	20mm PF		
E3084	4" (100mm)	110 - 118mm	25mm PF	10	1.382
E3088	4" (100mm)	110 - 118mm	32mm PF	8	1.665
E3078	6" (150mm)	165 - 173mm	20mm PF		
E3085	6" (150mm)	165 - 173mm	25mm PF		
E3089	6" (150mm)	165 - 173mm	32mm PF	5	
E3079	8" (200mm)	217 - 225mm	20mm PF		
E3086	8" (200mm)	217 - 225mm	25mm PF		
E3090	8" (200mm)	217 - 225mm	32mm PF		
E11230	10" (250mm)	268 - 276mm	20mm PF		
E11149	10" (250mm)	268 - 276mm	25mm PF		

Plastic Banjo, Talbot Pushfit outlet for metric MDPE with liner

Part Number	Nominal Pipe Bore	Strap Size (A)	Outlet	Box Quantity	Weight (Kg each)
E3924	2" (50mm)	60 - 64mm	25mm PF		
E4795	3" (80mm)	88 - 92mm	20mm PF		
E5223	3" (80mm)	88 - 92mm	25mm PF	12	
E4796	3" (80mm)	88 - 92mm	32mm PF		
E3888*	3" (80mm)	88 - 92mm	32mm PF	15	
E4797	4" (100mm)	110 - 118mm	20mm PF		
E4056	4" (100mm)	110 - 118mm	25mm PF	10	
E4057	4" (100mm)	110 - 118mm	32mm PF	8	
E3889*	4" (100mm)	110 - 118mm	32mm PF		
E4798	6" (150mm)	165 - 173mm	20mm PF		
E4799	6" (150mm)	165 - 173mm	25mm PF	6	
E4800	6" (150mm)	165 - 173mm	32mm PF	6	
E3890*	6" (150mm)	165 - 173mm	32mm PF		
E8326	8" (200mm)	217 - 225mm	20mm PF		
E3926	8" (200mm)	217 - 225mm	25mm PF	5	
E8327	8" (200mm)	217 - 225mm	32mm PF		
E3891*	8" (200mm)	217 - 225mm	32mm PF	4	
E8325	10" (250mm)	268 - 276mm	32mm PF		

Plastic Banjo, Talbot Pushfit outlet for imperial PE no liner

Part Number	Nominal Pipe Bore	Strap Size (A)	Outlet	Box Quantity	Weight (Kg each)
E3861	2" (50mm)	60 - 64mm	½" PF		
E7948	3" (80mm)	88 - 92mm	½" PF		
E7941	3" (80mm)	88 - 92mm	¾" PF		
E7942	4" (80mm)	110 - 118mm	½" PF		
E7943	4" (80mm)	110 - 118mm	¾" PF		
E7944	4" (80mm)	110 - 118mm	1" PF		
E7945	6" (150mm)	165 - 173mm	½" PF		
E7946	6" (150mm)	165 - 173mm	¾" PF		
E7947	6" (150mm)	165 - 173mm	1" PF		
E3955	8" (200mm)	217 - 225mm	¾" PF		
E3887	8" (200mm)	217 - 225mm	1" PF		

Gunmetal Banjo, Talbot Pushfit outlet for Heavy Gauge IRS135 pipe no liner

Part Number	Nominal Pipe Bore	Strap Size (A)	Outlet	Box Quantity	Weight (Kg each)
E4218	3" (80mm)	88 - 92mm	½" HG		
E3070	4" (100mm)	110 - 118mm	½" HG	10	
E4417	6" (150mm)	165 - 173mm	½" HG		
E3071	8" (200mm)	217 - 225mm	½" HG		

Plastic Banjo, Talbot Pushfit outlet for Heavy Gauge IRS135 no liner

Part Number	Nominal Pipe Bore	Strap Size (A)	Outlet	Box Quantity	Weight (Kg each)
E7699	3" (80mm)	88 - 92mm	½" HG	12	0.949
E10006	3" (80mm)	88 - 92mm	¾" HG		
E10010	3" (80mm)	88 - 92mm	1" HG		
E3851	4" (100mm)	110 - 118mm	½" HG	10	
E10007	4" (100mm)	110 - 118mm	¾" HG	10	
E10011	4" (100mm)	110 - 118mm	1" HG	8	
E3850	8" (200mm)	217 - 225mm	½" HG	5	1.661
E11026	10" (250mm)	268 - 276mm	½" HG	3	

TALBOT Self Tapping Ferrule Straps PE / PVC Pipe

TALBOT Self Tapping Ferrule Straps PE / PVC Pipe

Metric Pipe sizes

Gunmetal Banjo, Talbot Pushfit outlet for metric MDPE with liner

Part Number	Nominal Pipe	Strap Size (A)	Outlet	Box Quantity	Weight (Kg each)
E3051	32mm	29 - 34mm	20mm PF		
E3057	32mm	29 - 34mm	25mm PF		
E3052	50mm	46 - 50.5mm	20mm PF		
E3058	50mm	46 - 50.5mm	25mm PF		
E3053	63mm	60 - 64mm	20mm PF		
E3059	63mm	60 - 64mm	25mm PF		1.040
E4789	63mm	60 - 64mm	32mm PF	10	1.471
E3054	90mm	88 - 92mm	20mm PF		
E3060	90mm	88 - 92mm	25mm PF		1.469
E3063	90mm	88 - 92mm	32mm PF		
E3055	125mm	122 - 130mm	20mm PF		1.382
E3061	125mm	122 - 130mm	25mm PF		
E3064	125mm	122 - 130mm	32mm PF		
E7197	160mm	155 - 163mm	20mm PF		
E3081	160mm	155 - 163mm	25mm PF		
E4181	160mm	155 - 163mm	32mm PF		
E3056	180mm	177 - 185mm	20mm PF		
E3062	180mm	177 - 185mm	25mm PF		
E3065	180mm	177 - 185mm	32mm PF		
E3082	200mm	195 - 203mm	25mm PF		
E4182	200mm	195 - 203mm	32mm PF		

Plastic Banjo, Talbot Pushfit outlet for metric MDPE with liner

Part Number	Nominal Pipe	Strap Size (A)	Outlet	Box Quantity	Weight (Kg each)
E3952	32mm	29 - 34mm	25mm PF	12	
E3857	50mm	46 - 50.5mm	20mm PF		
E3921	50mm	46 - 50.5mm	25mm PF	12	
E7225	63mm	60 - 64mm	20mm PF		
E3950	63mm	60 - 64mm	25mm PF	15	
E4788	63mm	60 - 64mm	32mm PF	10	
E7200	90mm	88 - 92mm	20mm PF		
E5226	90mm	88 - 92mm	32mm PF	10	
E7304	110mm	110 - 118mm	20mm PF		
E7305	110mm	110 - 118mm	25mm PF	10	
E7306	110mm	110 - 118mm	32mm PF	8	
E7201	125mm	122 - 130mm	20mm PF		
E5224	125mm	122 - 130mm	25mm PF	8	
E5227	125mm	122 - 130mm	32mm PF	8	
E7307	160mm	155 - 163mm	20mm PF		
E7308	160mm	155 - 163mm	25mm PF	6	
E7309	160mm	155 - 163mm	32mm PF	6	
E7202	180mm	177 - 185mm	20mm PF		
E5225	180mm	177 - 185mm	25mm PF	6	
E5228	180mm	177 - 185mm	32mm PF	5	
E3928	200mm	195 - 203mm	25mm PF		
E7970	200mm	195 - 203mm	32mm PF		

Gunmetal Banjo, Talbot Pushfit outlet for imperial PE no liner

Part Number	Nominal Pipe Bore	Strap Size (A)	Outlet	Box Quantity	Weight (Kg each)
E11378	50mm	46 - 50.5mm	1/2" PF		
E9557	50mm	46 - 50.5mm	3/4" PF		
E4297	63mm	60 - 64mm	1/2" PF		
E4634	63mm	60 - 64mm	3/4" PF	15	
E10110	125mm	122 - 130mm	1/2" PF		
E10118	180mm	177 - 185mm	3/4" PF		

Plastic Banjo Talbot Pushfit for imperial PE no liner

Part Number	Nominal Pipe	Strap Size (A)	Outlet	Box Quantity	Weight (Kg each)
E8936	63mm	60 - 64mm	1/2" PF		
E8937	63mm	60 - 64mm	3/4" PF		
E4296*	63mm	60 - 64mm	3/4" PF		
E8033	160mm	155 - 163mm	1" PF		

* Gunmetal Top Cap

Gunmetal Banjo, Talbot Pushfit outlet for Heavy Gauge IRS135 pipe no liner

Part Number	Nominal Pipe	Strap Size (A)	Outlet	Box Quantity	Weight (Kg each)
E4020	160mm	155 - 163mm	1/2" HG	6	

Plastic Banjo, Talbot Pushfit outlet for Heavy Gauge IRS135 pipe no liner

Part Number	Nominal Pipe	Strap Size (A)	Outlet	Box Quantity	Weight (Kg each)
E10363	125 mm	122 - 130mm	1/2" HG		
E8338	160 mm	155 - 163mm	1/2" HG	6	1.238
E10008	160 mm	155 - 163mm	3/4" HG		
E10012	160 mm	155 - 163mm	1" HG	6	
E10364	180 mm	177 - 185mm	1/2" HG		
E10236	200 mm	195 - 203mm	1/2" HG	5	1.219
E11271	200 mm	195 - 203mm	3/4" HG		

EBCO Replacement Banjos

TALBOT Replacement Banjos



EBCO BSP Outlet Female Outlet

Part Number	Stem	Outlet	Box Quantity	Weight (Kg each)
SFB202F	1/2"	1/2" Female	50	0.452
SFB303F	3/4"	3/4" Female	48	0.201
SFB404F	1"	1" Female	20	0.341
SFB606F	1 1/2"	1 1/2" Female		
SFB808F	2"	2" Female		

Male Outlet

Part Number	Stem	Outlet	Box Quantity	Weight (Kg each)
SFB303M	3/4"	3/4" Male		

EBCO Pushfit Outlet Gunmetal Banjo



Part Number	Stem	Outlet	Box Quantity	Weight (Kg each)
SFB220Z	1/2"	20mm BPF	20	0.206
SFB325Z	3/4"	25mm BPF	20	0.262

Plastic Banjo

Part Number	Stem	Outlet	Box Quantity	Weight (Kg each)
SFB325Z/P	3/4"	25mm BPF	20	0.079
SFB432Z/P	1"	32mm BPF	12	0.135



EBCO B Compression Fitting Outlet Metric MDPE

Part Number	Stem	Outlet	Box Quantity	Weight (Kg each)
SFB220B	1/2"	20mm EBCO-B		
SFB325B	3/4"	25mm EBCO-B		
SFB432B	1"	32mm EBCO-B		
SFB650B	1 1/2"	50mm EBCO-B		
SFB863B	2"	63mm EBCO-B		

EBCO S Compression Fitting Outlet Type B Copper Tube



Part Number	Stem	Outlet	Box Quantity	Weight (Kg each)
SFB215S	1/2"	15mm Copper		
SFB322S	3/4"	22mm Copper		
SFB428S	1"	28mm Copper		
SFB642S	1 1/2"	42mm Copper		
SFB854S	2"	54mm Copper		

Talbot Pushfit Outlet - Gunmetal Banjo Metric MDPE with liner

Part Number	Stem	Outlet	Box Quantity	Weight (Kg each)
E3532	1/2"	20mm PF	40	0.178
E3533	3/4"	25mm PF		
E3534	1"	32mm PF		
E3535	1 1/2"	50mm PF		
E3536	2"	63mm PF		

Imperial PE no liner

Part Number	Stem	Outlet	Box Quantity	Weight (Kg each)
E8234	3/4"	3/4" PF		
E4776	1"	1" PF	20	
E8233	1 1/2"	1 1/2" PF		

Heavy Gauge IRS135 no liner

Part Number	NStem	Outlet	Box Quantity	Weight (Kg each)
E4885	1/2"	3/4" HG	36	



Talbot Pushfit Outlet - Plastic Banjo Metric MDPE with liner

Part Number	Stem	Outlet	Box Quantity	Weight (Kg each)
E3450	3/4"	25mm PF	20	0.074
E3451	1"	32mm PF	12	0.125
E6538	1 1/2"	50mm PF		
E6539	1"	63mm PF		

Imperial PE no liner

Part Number	Stem	Outlet	Box Quantity	Weight (Kg each)
E4456	3/4"	1/2" PF		
E4470	1"	3/4" PF		
E4457	1 1/2"	1" PF		

Heavy Gauge IRS135 no liner

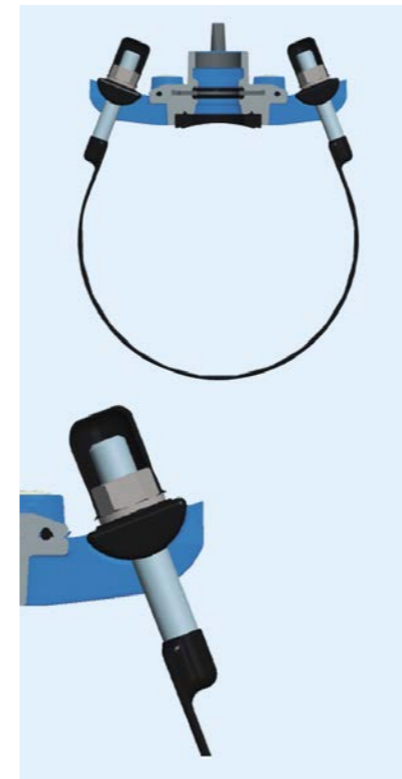
Part Number	Stem	Outlet	Box Quantity	Weight (Kg each)
E4729	1/2"	1/2" HG		

Replacement Stem



Part Number	Stem	Outlet	Box Quantity	Weight (Kg each)
SFRS22	1/2"	1/2" / 3/4"	48	0.276
SFRS33	3/4"	1/2" / 3/4"	45	0.275
SFRS44	1"	1"	36	
SFRS66	1 1/2"	1 1/2"		
SFRS88	2"	2"		

ERHARD ABSP Service Saddle



Flexible deployment

With the new ERHARD ABS Premium service valve it has been possible to reduce the number of required models dramatically. There is a separate casing type for each different combination of pressure stages and outlets. Models are available for pipes made of cast iron and steel, of coated cast iron and steel and of fibre cement.

Adjustments to the various pipe diameters are then simply made using an adjustable retaining bracket, which is combined with the appropriate casing according to requirements. Together with the optimised weight of the cases, this reduces both storage and transportation costs and facilitates their daily use.

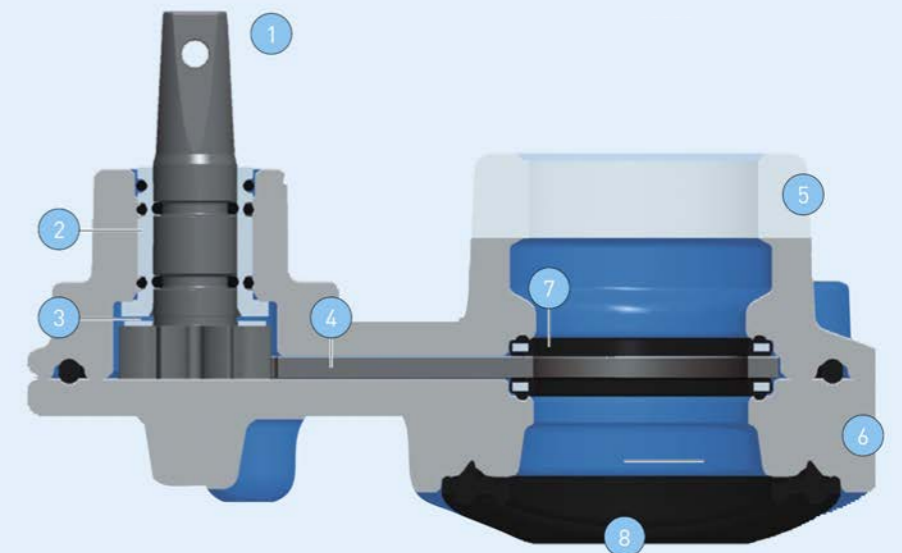
ERHARD ABS Premium service valves are suitable for nominal sizes DN 80 to DN 300 and for pressure PN 16. A wide range of connection options facilitates the application.

Reliable drive

A reduction to just two moving parts ensures that the valve of the ERHARD ABS Premium service valve will continue to function reliably and can be moved dependably for years to come:

The preformed retaining brackets with a width of 48 mm for cast-iron and steel pipes or 90 mm for fibre cement pipes are securely and permanently attached to the pipe saddle through their special design features.

1. Pinion Shaft with o-rings
2. Collar bush with o-rings
3. Washer
4. Rotary Disk
5. Connection Cover for outlet Rp 1 1/2 or plasson system
6. Connection piece
7. Sealing ring
8. Saddle strap



ERHARD ABSP Service Saddle

- The pinion shaft made of stainless steel is securely aligned over the middle of the pipe and mounted in a corrosion protected shaft bushing. It has a standardised square connection.
- The rotary movement is then transferred to the rotary disc via an interlocking system. The 4 mm thickness of the material guarantees a high level of dependability even under a high operating pressure. The smooth surface of the disc prevents the build up of deposits and damage to the sealing rings. The shearing principle between the rotary disc and the steel-sheathed sealing rings also ensures that the parts are self-cleaning.

Opening and closing takes place with a 1¼ rotation. This ensures that there is no water hammer with high flow rates. The pipe saddle also has robust and reliable end stops which easily surpass the values required by the relevant standard.

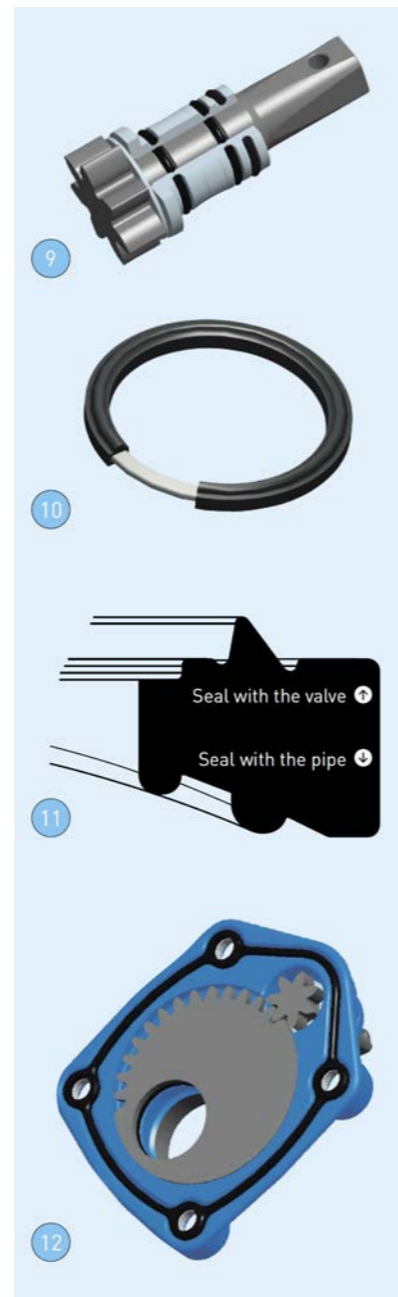
Sealing system further optimised

Even the seals of the ERHARD ABS Premium service valve have been further improved. In addition to the multiple-sealing o-rings [9] on the pinion shaft, the steel-sheathed sealing rings [10] on the rotary disc and the double gasket, this above all concerns the newly conceived saddle seal with the innovative duo-sealing system [11]. The system, which is made of EPDM in the drinking water model and of NBR for the gas model, ensures the sealant function is proportionate to the pressure, since the sealing lip seals tighter as the pressure increases.

Reliable corrosion protection

All ERHARD premium service valves are coated as standard with ERHARD EKB fusion bonded epoxy, which complies with the requirements of the quality mark RAL-GZ 662 of the "Quality Association for the Heavy Duty Corrosion Protection of Powder Coated Valves and Fittings" (GSK). The coating thickness is at least 250 µm. Epoxy is physiologically harmless for use with drinking water and has, for example, confirmed certification from the DVGW-TZW Research Centre in Karlsruhe and the Hygiene Institute of Gelsenkirchen.

Alternatively, ERHARD ABS Premium service valves are also available fully enamelled with a special fiber enamel. This variation provides the very highest standard in drinking water protection and protection from encrustation, as well as ensuring the longest product life. The highly resistant ERHARD Pro-Enamel also provides the valve with outstanding external protection and increased impact strength. The model complies with the requirements of DIN 51178.



The o-rings [9], the steel-sheathed sealing rings [10], the rotary disc and the new saddle seal with the duo-sealant system [11], as well as the tried and tested drive with toothed washer and disc [12] guarantee reliable operations even after years of service.



ERHARD ABSP Service Saddle

ERHARD ABS Premium Service Valve

Connection to pipe type and diameter through separately ordered strap

With Epoxy Coating

DN	Outlet	Code
80 - 300	vert. Rp 1 ½	969110
80 - 300	horiz. Rp 1 ½	969114

With Enamel Coating

DN	Outlet	Code
80 - 300	vert. Rp 1 ½	969111
80 - 300	horiz. Rp 1 ½	969115

Strap

For cast iron and steel pipes (strap width 48mm)

DN	Pipe OD	Code
80	87 - 104	969050-80
100	110 - 125	969052-100
125	136 - 152	969054-125
150	163 - 179	969056-150
200	215 - 230	969058-200
250	270 - 283	969060-250
300	320 - 335	969062-300

For asbestos cement pipes (strap width 90mm)

DN	Pipe OD	Code
80	96 - 115	969382
100	117 - 138	969383
125	145 - 167	969384
150	176 - 197	969385
200	232 - 253	969386
250	284 - 302	969387
300	340 - 357	969388

Service Valve for PVC Pipe

For cast iron and steel pipes (strap width 48mm)

DN	Outlet	Top Part Epoxy Coated	Top Part Enamelled
80	vert. Rp 1 ½	969485	969492
80	hor. Rp 1 ½	969499	969506
100	vert. Rp 1 ½	969486	969493
100	hor. Rp 1 ½	969500	969507
125	vert. Rp 1 ½	969487	969494
125	hor. Rp 1 ½	969501	969508
150	vert. Rp 1 ½	969488	969495
150	hor. Rp 1 ½	969502	969509
200	vert. Rp 1 ½	969489	969496
200	hor. Rp 1 ½	969503	969510
250	vert. Rp 1 ½	969490	969497
250	hor. Rp 1 ½	969504	969511
300	vert. Rp 1 ½	969491	969498
300	hor. Rp 1 ½	969505	969512

Talbot Pushfit - Fittings for Water Pipe



The Talbot Pushfit connection is a tried and tested method of connecting low, medium and high density metric polyethylene water pipe from 16mm to 63mm.

Benefits

- **User Friendly**
The Talbot Pushfit fitting is quick and easy to use with no nuts to leave undone, simply push the pipe into the fitting.
- **Stronger Than The Pipe**
The fittings grip and seal on the pipe increases with water pressure and tensile load. This means that the PE pipe will burst or neck before the connection fails. The Talbot Pushfit fitting is pressure rated PN 16.
- **Tough and Robust**
Talbot Pushfit fittings are manufactured from high performance materials for resistance to distortion and corrosion and for strong threaded connections.
- **Adaptor from Imperial to Metric pipe**
Select the fitting type you need, and using the imperial components that are available, convert the fitting to an adaptor.



Talbot Grippa Universal Service Connector



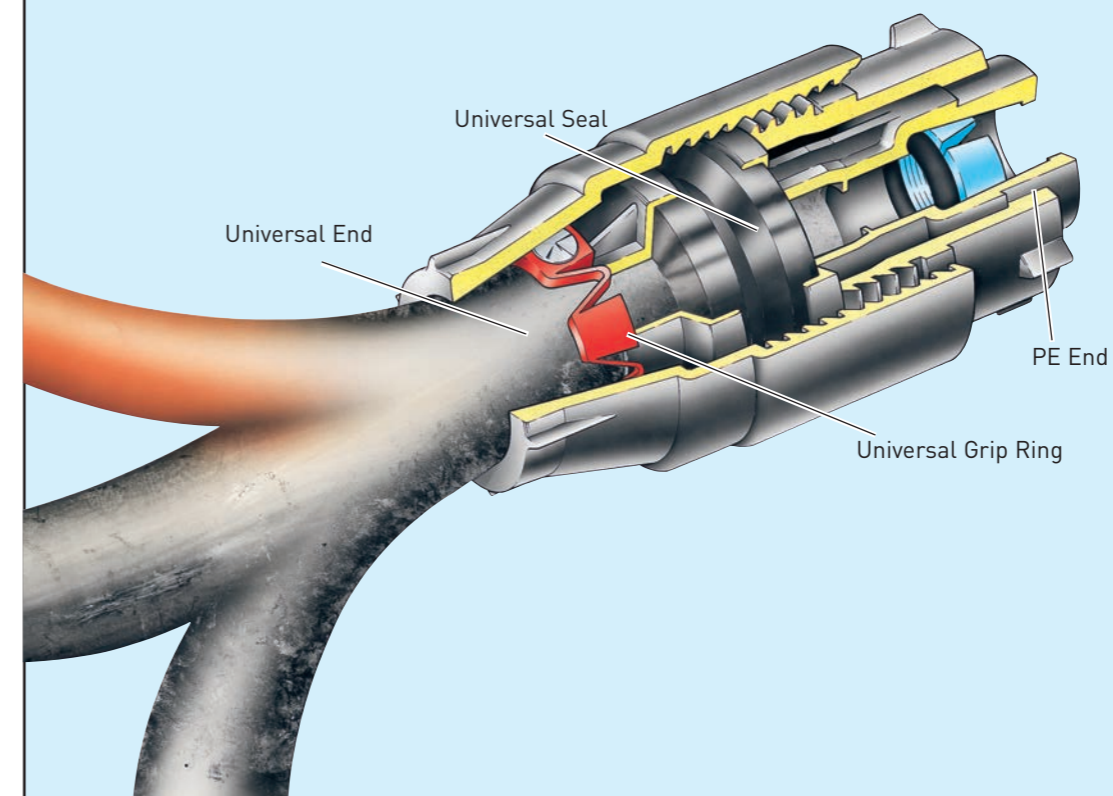
The Talbot Grippa is a universal fitting that connects onto a wide variety of existing lead, galvanised iron and copper pipes with no change of components. The range consists of just three fittings which suit all metal pipes with outside diameters of 15mm (3/4") to 34mm (3/8").

Benefits

- **Universal**
One fitting securely connects onto lead, copper and galvanised iron service pipes.
- **Simple to install**
Simply push the pipe into the fitting and tighten, no loose assembly of components or special preparation of the pipe or cutting of threads.
- **Cost Effective**
With only three fittings covering the majority of lead, copper and galvanised iron pipe sizes, stock is dramatically reduced.



Range Information				PE End - Suits:
Universal End	3/8" Grippa	1/2" Grippa	3/4" Grippa	
Pipe OD range	15-21mm	21-27mm	27-34mm	Metric BS6572 and 6730 pipe with a liner and DIN and ISO pipes. (Blue grip ring, black 'O' ring marked 'M'), or Imperial B.S pipe (black grip ring, black 'O' ring).
Type of pipe				
Lead	3/8" 4lb-6lb	1/2" 5lb-9lb	3/4" 7lb-11lb	
Galvanised Iron	3/8"	1/2"	3/4"	
Copper	15mm, 1/2"	22mm, 3/4"	28mm, 1"	



Pushfit Connections



Connectors PE x PE

Code		Size	Bag Quantity	Weight	
Metric	Imperial			Metric	Imperial
E4340	E4340	16mm 3/8", 1/2" NG	5	0.060	0.050
E2822	E2801	20mm (1/2")	5	0.063	0.053
E2825	E2802	25mm (3/4")	5	0.087	0.071
E2826	E2803	32mm (1")	5	0.143	0.113
E8452	E6511	40mm (1 1/4")	1	0.257	0.217
E3520	E4002	50mm (1 1/2")	1	0.424	
E3521	E4007	63mm (2")	1	0.696	0.605

Reducing Connectors PE x PE

Code		Size	Bag Quantity	Weight	
Metric	Imperial			Metric	Imperial
E4341	E4346	20mm (1/2") X 16mm 3/8", 1/2" NG	5	0.062	
E4344	E4345	25mm (3/4") X 16mm 3/8", 1/2" NG	5	0.077	
E2829	E2817	25mm (3/4") x 20mm (1/2")	5	0.080	
E2831	E3408	32mm (1") x 20mm (1/2")	5	0.098	
E2833	E2818	32mm (1") x 25mm (3/4")	5	0.118	
E9015	E9982	40mm (1 1/4") x 25mm (3/4")	1	0.150	
E8455	E9983	40mm (1 1/4") x 32mm (1")	1		
E3522	E3999	50mm (1 1/2") x 20mm (1/2")	1	0.250	
E3523	E4000	50mm (1 1/2") x 25mm (3/4")	1	0.260	
E3995	E4001	50mm (1 1/2") x 32mm (1")	1	0.283	
E8274	E7793	50mm (1 1/2") x 40mm (1 1/4")	1	0.342	0.305
E3524	E4003	63mm (2") x 20mm (1/2")	1	0.040	
E3525	E4004	63mm (2") x 25mm (3/4")	1	0.409	
E7386	E7402	63mm (2") x 32mm (1")	1	0.446	
	E8610	63mm (2") x 40mm (1 1/4")	1		
E3996	E4006	63mm (2") x 50mm (1 1/2")	1	0.552	

Grippa - The Universal Service Adaptor

Code		Size	Bag Quantity	Weight	
Metric	Imperial			Metric	Imperial
E5172	E6604	20mm (1/2") x 3/8"	5	0.177	
E5175	E6264	20mm (1/2") x 1/2"	5	0.239	
E5178	E6606	20mm (1/2") x 3/4"	5	0.333	
E4811	E6607	25mm (3/4") x 3/8"	5	0.169	
E4752	E6608	25mm (3/4") x 1/2"	5	0.234	
E4812	E6265	25mm (3/4") x 3/4"	5	0.316	

Adaptors, Pushfit - PE x Copper Table X

Code		Size	Bag Quantity	Weight	
Metric	Imperial			Metric	Imperial
E4145	E4142	20mm (1/2") x 15mm Copper	5	0.054	0.048
E4147	E4150	25mm (3/4") x 15mm Copper	5	0.079	
E5182	E5183	25mm (3/4") x 22mm Copper	5	0.094	
E5945	E5946	32mm (1") x 28mm Copper	5		



Adaptors, Pushfit - PE x Male Threaded

Code		Size	Bag Quantity	Weight	
Metric	Imperial			Metric	Imperial
E4342	E4342	16mm 3/8", 1/2" NG x 1/2" MI	5		
E2729	E1932	20mm (1/2") x 1/2" MI	5	0.036	0.030
E6581	E6609	20mm (1/2") x 3/4" MI	5	0.037	
E6580	E6610	25mm (3/4") x 1/2" MI	5	0.053	
E2731	E1933	25mm (3/4") x 3/4" MI	5	0.054	0.046
E6579	E4699	32mm (1") x 1/2" MI	5		
E6582	E6611	32mm (1") x 3/4" MI	5	0.102	
E2732	E2715	32mm (1") x 1" M	5	0.090	
E9128	-	32mm (1") x 2" MI	1	0.112	
E6517	E6518	40mm (1 1/4") x 1 1/4" MI	1		
	E11083	40mm (1 1/4") x 1 1/2" MI	1		
E3515	E7408	50mm (1 1/2") x 1 1/2" MI	1	0.228	
E3516	E4016	63mm (2") x 2" MI	1	0.389	0.343

Tank Connectors - PE x Male Thread (Complete with nut and washers)

E7248	E7263	25mm (3/4") x 3/4" MI	5	0.072	
-------	-------	-----------------------	---	-------	--

Adaptors, Pushfit - PE x Female Threaded

Code		Size	Bag Quantity	Weight	
Metric	Imperial			Metric	Imperial
E4343	E4343	16mm 3/8", 1/2" NG x 1/2" FI	5		
E2730	E2722	20mm (1/2") x 1/2" FI	5	0.042	
E11082	E11084	20mm (1/2") x 3/4" FI	5		
E2735	E2723	25mm (3/4") x 3/4" FI	5	0.061	
E5094	E6612	32mm (1") x 1/2" FI	5	0.127	
E5098	E6613	32mm (1") x 3/4" F	5	0.120	
E2736	E2724	32mm (1") x 1" FI	5	0.105	
E6519	E6520	40mm (1 1/4") x 1 1/4" FI	1	0.168	
E3578	E7409	50mm (1 1/2") x 1 1/2" FI	1	0.267	
E3517	E4014	63mm (2") x 2" FI	1	0.460	

Stop End, Pushfit - PE x Blank

Code		Size	Bag Quantity	Weight	
Metric	Imperial			Metric	Imperial
E3364	E3367	20mm (1/2")	5	0.051	
E3365	E3368	25mm (3/4")	5	0.074	
E3366	E3369	32mm (1")	5	0.118	0.099
E5097	E5027	50mm (1 1/2")	1	0.224	
E4375	E6614	63mm (2")	1	0.376	

Adaptors, Pushfit - PE x Female Threaded

Code		Size	Bag Quantity	Weight	
Metric	Imperial			Metric	Imperial
E5055	E5200	20mm (1/2") x 1/2" FI (straight)	5	0.088	
	E8441	25mm (3/4") x 1/2" FI (straight)	5		
E5052	E5202	25mm (3/4") x 3/4" FI (straight)	5		
	E5203	32mm (1") x 1" FI (straight)	5		
E5042	E5035	20mm (1/2") x 1/2" FI (bent)	5	0.091	
E5040	E5034	25mm (3/4") x 1/2" FI (bent)	5	0.123	
E5039	E5033	25mm (3/4") x 3/4" FI (bent)	5		
E5037	E5032	32mm (1") x 1" FI (bent)	5		

Pushfit Connections



Pushfit Connections



Elbows (90°) - PE x PE

Code		Size	Bag Quantity	Weight	
Metric	Imperial			Metric	Imperial
E2781	E2769	20mm (1/2") x 20mm (1/2")	5	0.069	0.058
E7734	-	25mm (3/4") x 20mm (1/2")	5	0.076	
E2783	E2770	25mm (3/4") x 25mm (3/4")	5	0.098	0.081
E9010	-	32mm (1") x 25mm (3/4")	5	0.117	
E2784	E2771	32mm (1") x 32mm (1")	5	0.160	
E8453	E6515	40mm (1 1/4") x 40mm (1 1/4")	1		
E3518	E7404	50mm (1 1/2") x 50mm (1 1/2")	1	0.464	
E3519	E4009	63mm (2") x 63mm (2")	1	0.772	



Tees, Equal - PE x PE x PE

Code		Size	Bag Quantity	Weight	
Metric	Imperial			Metric	Imperial
E4448	E4448	16mm 3/8", 1/2" NG	5		
E3032	E3016	20mm (1/2")	5	0.108	0.091
E3037	E3019	25mm (3/4")	5	0.150	0.122
E3042	E3022	32 (1")	5	0.244	
E8454	E6513	40mm (1 1/4")	1		
E3537	E4010	50mm (1 1/2")	1	0.690	
E3538	E4011	63mm (2")	1	1.112	



Elbows (90°) - PE x Male Thread

Code		Size	Bag Quantity	Weight	
Metric	Imperial			Metric	Imperial
E4670	E4874	25mm (3/4") x 3/4" MI	5	0.066	
E4671	E4875	32mm (1") x 1" MI	5	0.110	



Tees, Un-Equal - PE x PE x PE

Code		Size	Bag Quantity	Weight	
Metric	Imperial			Metric	Imperial
E3036	E3023	25mm (3/4") x 25mm (3/4") x 20mm (1/2")	5	0.130	
E3038	E3417	32mm (1") x 20mm (1/2") x 20mm (1/2")	5		
	E3416	20mm (1/2") x 20mm (1/2") x 32mm (1")	5		
E3040	E3403	32mm (1") x 32mm (1") x 20mm (1/2")	5	0.215	0.171
E3363	E3419	25mm (3/4") x 25mm (3/4") x 32mm (1")	5	0.191	0.020
E3041	E3405	32mm (1") x 32mm (1") x 25mm (3/4")	5		
E3998	E4013	63mm (2") x 63mm (2") x 25mm (3/4")	1	0.725	
E3997	E4012	63mm (2") x 63mm (2") x 32mm (1")	1	0.728	



Elbows (90°) - PE x Female Thread

Code		Size	Bag Quantity	Weight	
Metric	Imperial			Metric	Imperial
E2782	E2776	20mm (1/2") x 1/2" FI (parallel)	5	0.051	
E2789	E2780	25mm (3/4") x 1/2" FI (parallel)	5	0.073	
E2787	E2777	25mm (3/4") x 3/4" FI (parallel)	5	0.077	
E2788	E3406	32mm (1") x 1" FI (parallel)	5	0.121	
E4353	E6564	50mm (1 1/2") x 1 1/2" FI (taper)	5	0.350	
E4354	E6563	63mm (2") x 1 1/2" FI (taper)	5	0.577	

All of the above items are available in both taper and parallel threaded versions. Prices and codes for additional items are available on application.



Tees, Un-Equal - PE x PE x Female Taper Thread

Code		Size	Bag Quantity	Weight	
Metric	Imperial			Metric	Imperial
E3035	E3017	20mm (1/2") x 20mm (1/2") x 1/2" FI	5	0.076	
E3043	E3020	25mm (3/4") x 25mm (3/4") x 1/2" FI	5	0.121	
E3044	E3021	25mm (3/4") x 25mm (3/4") x 3/4" FI	5	0.126	
E3045	E3404	32mm (1") x 32mm (1") x 1" FI	5		
E4355	E6573	50mm (1 1/2") x 50mm (1 1/2") x 1 1/2" FI	1		
E4356	E6574	63mm (2") x 63mm (2") x 2" FI	1	0.947	



Wall Plate Elbows

Code		Size	Bag Quantity	Weight	
Metric	Imperial			Metric	Imperial
E2798	E2796	20mm (1/2") x 1/2"	5	0.086	
E2799	E2797	25mm (3/4") x 1/2"	5	0.107	
E2800	E3407	25mm (3/4") x 3/4"	5	0.086	

All fittings are in plastic unless otherwise stated.

Pushfit Connections



Adaptors, Leadfit - PE x Lead

Code	Size	Bag Quantity	Weight
E9344	25mm (3/4") x 3/4" 9lb Lead	5	
E9345	25mm (3/4") x 1" 16lb Lead	5	
E9346	32mm (1") x 1" 16lb Lead	5	



Adaptors, Leadfit - Lead x Female Threaded

Code	Lead Pipe Size	PE Pipe Size	Bag Quantity	Weight
EP41632Z	1" 16lb	32mm (1")	5	



Double Check Valve - PE x PE

Code		Size	Bag Quantity	Weight
Metric	Imperial			
E3783	E4208	20mm (1/2")	5	
E3785		25mm (3/4")	5	



Repair Connectors - PE x PE

Code		Size	Bag Quantity	Weight
Metric	Imperial			
E7782	E7785	20mm (1/2")		
E7777	E7774	25mm (3/4")		
E7778	E7781	32mm (1")		



Extractors - Plastic

Code	Size	Bag Quantity	Weight
E2946	20mm (1/2")	10 sets	0.051
E2947	25mm (3/4")	10 sets	0.065
E2948	32mm (1")	10 sets	0.063



Extractors - Metal

Code	Size	Bag Quantity	Weight
E2935	20mm (1/2")	1 set	0.041
E2936	25mm (3/4")	1 set	0.041
E2937	32mm (1")	1 set	0.064
E2554	40mm (1 1/4")	1 set	0.086
E2938	50mm (1 1/2")	1 set	0.108
E2939	63mm (2")	1 set	0.179
E2940	90mm	1 set	
E2941	125mm	1 set	
E2942	180mm	1 set	



Bevellers - Metal

Code	Size	Bag Quantity	Weight
1775	20mm (1/2")	1	0.036
1776	25mm (3/4")	1	0.167
1777	32mm (1")	1	0.088
2534	40mm (1 1/4")	1	0.120
1779	50mm (1 1/2")	1	0.177
1780	63mm (2")	1	0.588



Liners for PE Pipe

Code	Size	Bag Quantity	Weight
1829	20mm (SDR 9)	10	0.004
1830	25mm (SDR 11)	10	0.005
1832	32mm (SDR 11)	10	0.010
4230	50mm (SDR 11)	5	0.033
4217	63mm (SDR 11)	5	0.059

Pushfit Connections



Components, PE - Grip Rings

Metric	Imperial	Code		Size	Bag Quantity	Weight
		HG	NG			
1890	1884	9760	10154	20mm x (1/2")	10	
1891	2634	9723	10156	25mm x (3/4")	10	
1894	1887	9725	10157	32mm x (1")	10	
6159	6160	-	-	40mm x (1 1/4")	5	
7745	1889	-	-	50mm x (1 1/2")	5	
7746	2658	-	-	63mm x (2")	5	



Components, PE - 'O' Rings

Metric	Imperial	Code		Size	Bag Quantity	Weight
		HG	NG			
1861	1856	1855	3355	20mm x (1/2")	10	
1862	1857	1857	1862	25mm x (3/4")	10	
1863	1859	1859	2599	32mm x (1")	10	
7315	6251	-	-	40mm x (1 1/4")	5	
1864	1860	-	-	50mm x (1 1/2")	5	
1865	2598	-	-	63mm x (2")	5	



Components, Lead Grip & 'O' Rings

Metric	Imperial	Code		Size	Bag Quantity	Weight
		HG	NG			
-	9068	-	-	Grip Ring - 3/4" 9lb	10	
-	9069	-	-	Grip Ring - 1" 16lb	10	
-	9116	-	-	'O' Ring - 3/4" 9lb	10	
-	9117	-	-	'O' Ring - 1" 16lb	10	

Converters, Pushfit x Female Thread

Metric	Imperial	Code		Size	Bag Quantity	Weight
		HG	NG			
E5062	-	-	-	20mm x 1/2" FI	5	0.027
E5061	-	-	-	20mm x 3/4" FI	5	0.028
E5060	-	-	-	25mm x 1/2" FI	5	
E5058	-	-	-	25mm x 3/4" FI	5	0.042
E5059	-	-	-	25mm x 1" FI	5	0.045
E5057	-	-	-	32mm x 1" FI	5	0.073
E5056	-	-	-	32mm x 1 1/4" FI	5	0.081



Talbot Pushfit - Leadfit



Talbot Pushfit - PE To Lead Pipe Conversion



The Talbot Pushfit connector has for many years provided a quality and reliable way of joining PE pipe for potable water distribution networks throughout the world. This tried and tested method of connecting pipe has now been developed to suit lead pipe and offers the same high levels of performance associated with the original Talbot Pushfit fitting. Talbot Leadfit fittings are quick and easy to assemble. The pipe is simply pushed fully home into the fitting, past both the grip and 'O' ring, no further tightening is needed. The Pushfit principle ensures that the pipe is held securely within the fitting and seals against working pressures up to 16 bar.

The Leadfit fitting utilises a standard Talbot Pushfit body with a set of specially designed inter-changeable components that enable the Talbot Leadfit fitting to grip and seal on lead pipe.

Benefits

- Quick to Install**
 Both the lead and PE pipe are simply pushed into the fitting - no loose nuts or other fixings to worry about.
- Stronger Than The Pipe**
 In tests Leadfit is consistently stronger than the lead or PE pipe - even at pressures considerably above normal mains working pressure.
- Ideal in Cramped Conditions**
 The simplicity of Leadfit makes it ideal when making transitions from lead pipe in poorly accessed areas, like under a kitchen sink. No spanners or tools are needed to make an effective installation.

The Talbot Leadfit fitting is available in two forms, firstly a range of pre-assembled fittings for connection to lead pipe. Lead to PE adaptors, lead to female or male threaded adaptors as well as lead to copper adaptors are all available. An alternative to buying a pre-assembled fitting and in order to give users full advantage of the flexibility and extensive range of the Talbot Pushfit connection, Talbot Leadfit components are also supplied separately and can quickly and easily convert any Pushfit fitting into a fitting for lead pipe. Fittings and components are available for lead pipe in sizes 3/4" 9lb (29.41mm) using 32mm Pushfit bodies and 1" 16lb (39.22mm) using 40mm Pushfit bodies.

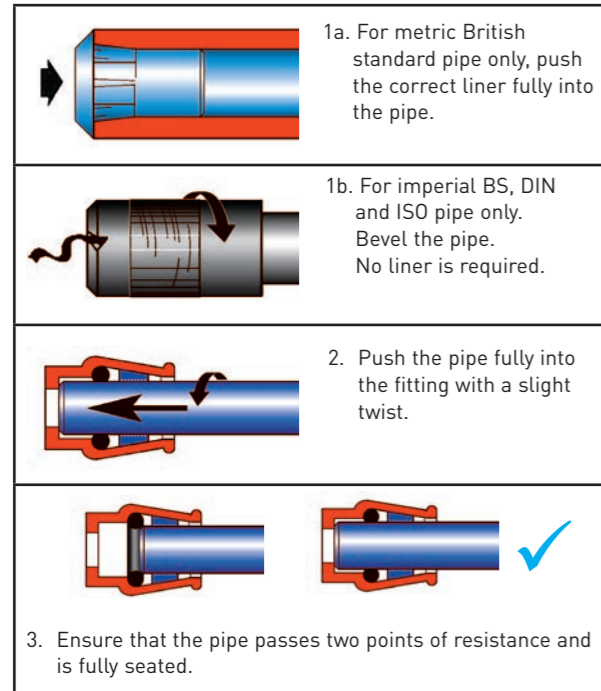
Pushfit Assembly and Dismantling Instructions

EBCO-B Fittings for PE Pipe

User experience indicates that Pushfit fittings cope better with adverse site conditions than compression fittings. However if a connection failure occurs please check that:

- The pipe has been pushed fully home.
- The 'O' ring or the grip ring are not damaged.
- Correct components have been used.
- Pipe is not excessively scored at the sealing area.

Pushfit Assembly Instructions



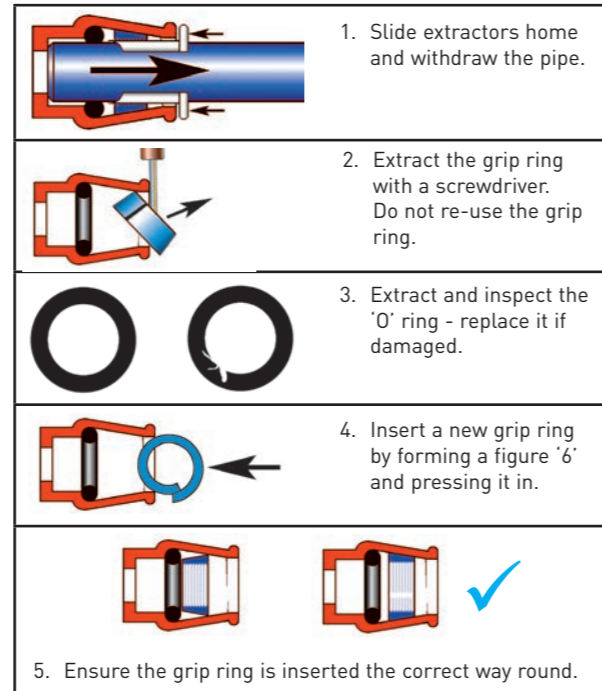
1a. For metric British standard pipe only, push the correct liner fully into the pipe.

1b. For imperial BS, DIN and ISO pipe only. Bevel the pipe. No liner is required.

2. Push the pipe fully into the fitting with a slight twist.

3. Ensure that the pipe passes two points of resistance and is fully seated.

Pushfit Dismantling Instructions



1. Slide extractors home and withdraw the pipe.

2. Extract the grip ring with a screwdriver. Do not re-use the grip ring.

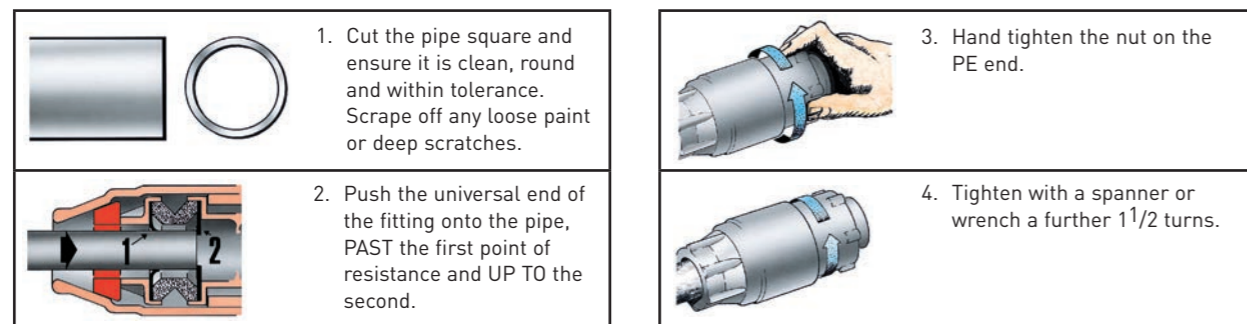
3. Extract and inspect the 'O' ring - replace it if damaged.

4. Insert a new grip ring by forming a figure '6' and pressing it in.

5. Ensure the grip ring is inserted the correct way round.

Grippa Assembly Instructions

Set out below are the assembly instructions for the universal end of the Grippa fitting. For instructions on how to assemble the Pushfit end of the connection please refer to the Pushfit assembly instructions shown above.



1. Cut the pipe square and ensure it is clean, round and within tolerance. Scrape off any loose paint or deep scratches.

2. Push the universal end of the fitting onto the pipe, PAST the first point of resistance and UP TO the second.

3. Hand tighten the nut on the PE end.

4. Tighten with a spanner or wrench a further 1 1/2 turns.

The EBCO-B connector is designed for use with PE pipes. The fitting is made from virtually corrosion immune gunmetal so will give many years of trouble free service in even the most aggressive of ground conditions and the seal created is secure, providing a leak free connection. This security combined with the product's robust gunmetal construction offers customers the knowledge that any connections made using the EBCO-B are secure, robust and reliable.

The EBCO-B connection is available in sizes from 20mm to 63mm in diameter. The fitting will also suit the imperial equivalents to these metric pipes using simply interchanged internal components.

Benefits

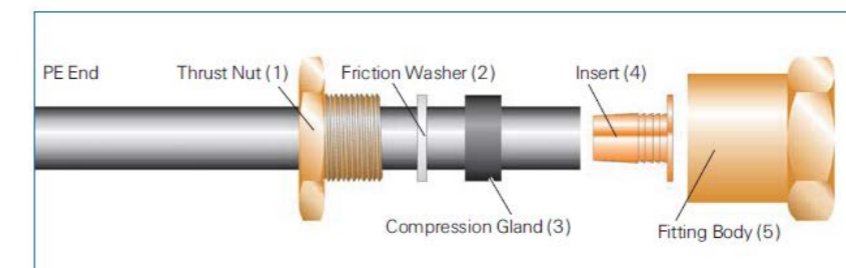
- The EBCO-B compression fitting can be used on either metric or imperial PE pipes from 20mm to 63mm in diameter. (Please specify pipe type and class when ordering to enable the correct product to be supplied.)
- Made from corrosion immune gunmetal, EBCO-B compression fittings will provide years of trouble free service in even the most arduous of ground conditions.
- The extensive range of EBCO-B compression fittings covers the majority of operational requirements with stopcocks and ferrules also being available with EBCO compression outlet.

Technical Data

Sizes:	20mm (1/2") to 63mm (2")	
Thread Types:	BS21, (BS EN 10226) BS EN ISO 228	
Material:	Body & Thrust nut:	Gunmetal BS EN 1982:2008 CC491K (formerly BS1400 LG2)
	Serrated inserts:	Copper
	Compression gland:	EPDM/Nitrile
	Friction washer:	Polypropylene

EBCO-B Assembly Instructions

Ensure the pipe is cut square then disassemble the end of the fitting to be connected, slide the thrust nut (1) then the friction washer (2), then the compression gland (3) over the end of the pipe to be connected. Insert the serrated insert (4) into the pipe and securely hammer it fully home with a soft faced mallet. Place the end of the pipe into the fitting's body (5) and screw the thrust nut fully into the body, securely locating the friction washer and sealing rubber inside the body of the fitting. Once the thrust nut has been hand tightened use a spanner and tighten a further 1 1/2 to 2 turns to form a fully sealed connection. The connection is now made.



EBCO-B Fittings for PE Pipe



EBCO B Connectors Metric

Code	Size	Bag Quantity	Weight (kg)
GCB20	20mm		0.203
GCB25	25mm		0.293
GCB32	32mm		
GCB50	50mm		1.067
GCB63	63mm		1.295

EBCO B Connectors Imperial

Code	Size	Bag Quantity	Weight (kg)
GCB02	1/2" BS1972 C		0.204
GCB02/1	1/2" BS3284 D		
GCB03	3/4" BS1972 C		0.301
GCB03/1	3/4" BS3284 D		
GCB04	1" BS1972 C		0.459
GCB04/1	1" BS3284 D		
GCB06	1 1/2" BS1972 C		1.07
GCB08	2" BS1972C		

EBCO B Connectors Metric/Imperial

Code	Size	Bag Quantity	Weight (kg)
GCB0650	1 1/2" BS1972C X 50mm		
GCB0863	2" BS1972 C X 63mm		1.54
GCB0863/1	2" BS3284 D X 63mm		

EBCO B Reducing Connectors Metric

Code	Size	Bag Quantity	Weight (kg)
GCB2025	20mm x 25mm		0.318
GCB2032	20mm x 32mm		
GCB2532	25mm x 32mm		0.098
GCB2550	25mm x 50mm		
GCB3220	32mm x 20mm		
GCB3225	32mm x 25mm		0.098
GCB3263	32mm x 63mm		1.559
GCB5020	50mm x 20mm		
GCB5032	50mm x 32mm		
GCB6320	63mm x 20mm		
GCB6325	63mm x 25mm		
GCB6350	63mm x 50mm		

EBCO B Reducing Connectors Imperial

Code	Size	Bag Quantity	Weight (kg)
GCB0304	3/4" BS1972 C x 1" BS1972 C		
GCB0603	1 1/2" BS1972 C x 3/4" BS1972 C		



EBCO-B Fittings for PE Pipe



EBCO B Joint Reducer Metric

Code	Size	Bag Quantity	Weight (kg)
GJR2520B	25mm x 20mm		0.156
GJR3225B	32mm x 25mm		0.244
GJR5032B	50mm x 32mm		
GJR6332B	63mm x 32mm		
GJR6350B	63mm x 50mm		

EBCO B Joint Reducer Imperial

Code	Size	Bag Quantity	Weight (kg)
GJR0302B	3/4" BS1972 C x 1/2" BS1972 C		
GJR0403B	1" BS1972 C x 3/4" BS1972 C		
GJR0604B	1 1/2" BS1972 C x 1" BS1972 C		

EBCO B Male Adaptors Metric

Code	Size	Bag Quantity	Weight (kg)
GAB2M20	20mm x 1/2" M		0.163
GAB3M25	25mm x 3/4" M		
GAB4M32	32mm x 1" M		0.369
GAB6M50	50mm x 1 1/2" M		0.912
GAB8M63	63mm x 2" M		1.314

EBCO B Male Adaptors Imperial

Code	Size	Bag Quantity	Weight (kg)
GAB2M02	1/2" BS1972 C x 1/2" M		0.164
GAB2M02/1	1/2" BS3284 D x 1/2" M		
GAB3M03	3/4" BS1972 C x 3/4" M		0.024
GAB3M03/1	3/4" BS3284 D x 3/4" M		
GAB4M04	1" BS1972 C x 1" M		0.373
GAB4M04/1	1" BS3284 D x 1" M		
GAB6M06	1 1/2" BS1972 C x 1 1/2" M		
GAB8M08	2" BS1972 C x 2" M		

EBCO-B Fittings for PE Pipe



EBCO B Female Adaptors Metric

Code	Size	Bag Quantity	Weight (kg)
GAB2F20	20mm x 1/2" F		0.171
GAB3F25	25mm x 3/4" F		0.247
GAB4F32	32mm x 1" F		0.411
GAB6F50	50mm x 1 1/2" F		1.008
GAB8F63	63mm x 2" F		1.359

EBCO B Female Adaptors Imperial

Code	Size	Bag Quantity	Weight (kg)
GAB2F02	1/2" BS1972 C x 1/2" F		0.172
GAB2F02/1	1/2" BS3284 D x 1/2" F		
GAB3F03	3/4" BS1972 C x 3/4" F		0.25
GAB3F03/1	3/4" BS3284 D x 3/4" F		
GAB4F04	1" BS1972 C x 1" F		0.411
GAB4F04/1	1" BS3284 D x 1" F		
GAB6F06	1 1/2" BS1972 C x 1 1/2" F		
GAB8F08	2" BS1972 C x 2" F		

EBCO B Elbows

Code	Size	Bag Quantity	Weight (kg)
GEB20	20mm		
GEB25	25mm		
GEB32	32mm		
GEB3225R	32mm x 25mm		
GEB50	50mm		
GEB63	63mm		

EBCO B Equal Tees Metric

Code	Size	Bag Quantity	Weight (kg)
GTB20	20mm		
GTB25	25mm		
GTB32	32mm		
GTB50	50mm		2.832
GTB63	63mm		

EBCO B Equal Tees Imperial

Code	Size	Bag Quantity	Weight (kg)
GTB02	1/2" BS1972 C		
GTB02/1	1/2" BS3284 D		
GTB03	3/4" BS1972C		
GTB03/1	3/4" BS3284 D		
GTB04	1" BS1972 C		
GTB04/1	1" BS3284 D		
GTB06	1 1/2" BS1972 C		
GTB08	2" BS1972 C		

EBCO-B Fittings for PE Pipe



EBCO B Unequal Tees Metric

Code	Size	Bag Quantity	Weight (kg)
GTB2520R	25mm x 25mm x 20mm		
GTB3220R	32mm x 32mm x 20mm		
GTB3225R	32mm x 32mm x 25mm		
GTB502525R	50mm x 25mm x 25mm		
GTB5020R	50mm x 50mm x 20mm		3.227
GTB5025R	50mm x 50mm x 25mm		
GTB5032R	50mm x 50mm x 32mm		3.159
GTB6320R	63mm x 63mm x 20mm		
GTB6325R	63mm x 63mm x 25mm		
GTB6332R	63mm x 63mm x 32mm		
GTB6350R	63mm x 63mm x 50mm		

EBCO B Unequal Tees Imperial

Code	Size	Bag Quantity	Weight (kg)
GTB0403R	1" BS 1972 C x 1" BS 1972 C x 3/4" BS1972 C		
GTB0803R	2" BS 1972 C x 2" BS 1972 C x 3/4" BS1972 C		
GTB0804R	2" BS 1972 C x 2" BS 1972 C x 1" BS1972 C		
GTB0806R	2" BS 1972 C x 2" BS 1972 C x 1 1/2" BS1972 C		

EBCO B Stop End Imperial

Code	Size	Bag Quantity	Weight (kg)
GSB2	2"		

EBCO B Straight Meter Union

Code	Size	Bag Quantity	Weight (kg)
GSMC20B	20mm x 3/4" FI		0.229

EBCO-S Gunmetal Type B Copper Compression Fittings

The robust and easy to use EBCO range of Type B copper adaptors are manufactured in gunmetal and conform to BS EN 1254. These fittings are suitable for use with half hard copper tube to BS EN 1057:2006.

Benefits

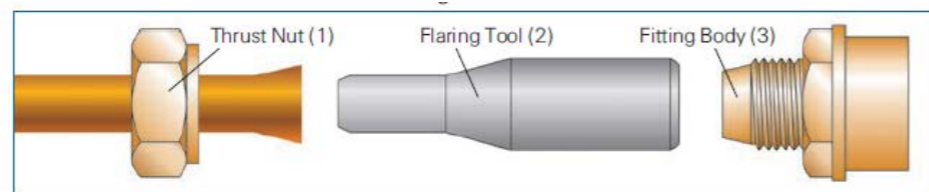
- Made from virtually corrosion immune gunmetal, EBCO Type copper tube fittings will provide years of trouble free service in even the most arduous of ground conditions.
- The extensive range offered covers the majority of operational requirements.

Technical Data

Sizes:	1/2" to 2"
Material:	Gunmetal BS EN 1982:2008 CC491K (formerly BS1400 LG2)
Thread Type:	BS21 , (BS EN 10226) or BS EN ISO 228

Gunmetal Type B Copper Compression Fittings Assembly Instructions

Disassemble the end of the fitting to be connected, slide the integral compression nut and ring (1) assembly over the pipe end. Using an appropriately sized flaring tool (2) bell out the end of the copper pipe. Re assemble the fitting ensuring that the pipe sits snugly against the cone on the fitting body (3). Tighten the compression nut fully to create an end load resistant and watertight connection. The connection is now made.



EBCO-S Gunmetal Type B Copper Compression Fittings



EBCO S Connectors

Code	Size	Bag Quantity	Weight (kg)
GCC22S	22mm		0.252
GCC28S	28mm		
GCC54S	54mm		



EBCO S Male Adaptors

Code	Size	Bag Quantity	Weight (kg)
GAC02M15S	15mm x 1/2" M		0.108
GAC03M22S	22mm x 3/4" M		
GAC04M28S	28mm x 1" M		
GAC08M54S	54mm x 2" M		



EBCO S Female Adaptors

Code	Size	Bag Quantity	Weight (kg)
GAC02F15S	15mm x 1/2" F		0.118
GAC03F22S	22mm x 3/4" F		
GAC04F28S	28mm x 1" F		
GAC06F42S	42mm x 1 1/2" F		0.662
GAC06F54S	54mm x 1 1/2" F		



EBCO S Elbows

Code	Size	Bag Quantity	Weight (kg)
GEC15S	15mm		0.537
GEC22S	22mm		
GEC28S	28mm		

EBCO-S Gunmetal Type B Copper Compression Fittings



EBCO S Elbow Male Adaptors

Code	Size	Bag Quantity	Weight (kg)
GEC15S02M	15mm x 1/2" M		
GEC22S03M	22mm x 3/4" M		
GEC28S04M	28mm x 1" M		



EBCO S Elbow Female Adaptors

Code	Size	Bag Quantity	Weight (kg)
GEC15S02F	15mm x 1/2" F		
GEC22S03F	22mm x 3/4" F		0.326
GEC28S04F	28mm x 1" F		0.598



EBCO S Tee

Code	Size	Bag Quantity	Weight (kg)
GTC15S	15mm x 15mm x 15mm		
GTC22S	22mm x 22mm x 22mm		
GTC28S	28mm x 28mm x 28mm		
GTC2822S	28mm x 28mm x 22mm		



EBCO S / EBCO B Adaptors

Code	Size	Bag Quantity	Weight (kg)
GAC22S25B	22mm S x 25mm B		
GAC35S50B	35mm S X 50mm B		
GAC42S50B	42mm S x 50mm B		
GAC42S63B	42mm S x 63mm B		
GAC54S63B	54mm S x 63mm B		

EBCO Gunmetal BSP Threaded Fittings Technical Data

The EBCO range of traditional gunmetal pipe fittings for threaded pipe is robust and contains a wide variety of product types and sizes. The fitting's threads are to BS EN 10226-1 (BS21) and products are available in sizes 1/4" to 4".

Sizes: 1/4" to 4"

Thread: BS EN 10226-1 (BS21)

Materials: Gunmetal BS EN 1982:2008 CC491K (formerly BS1400 LG2)

British Standard Pipe thread (BSP) is a family of standard screw thread types that has been adopted internationally for interconnecting and sealing pipe ends by mating an external (male) with an internal (female) thread.

Two types of thread are distinguished:

- Parallel threads, which have a constant diameter.
- Taper threads, whose diameter increases or decreases along the length of the thread.

Jointing threads: These are pipe threads for joints made pressure-tight by the mating of the threads. They use a taper external (male) thread, and a parallel internal (female) thread. Best practice is to always use a jointing compound on the threads. Minimum order quantities may apply.

Benefits:

- Made from corrosion immune gunmetal, EBCO threaded pipe fittings will provide years of trouble free service in even the most arduous of ground conditions.
- The extensive range of EBCO threaded pipe fittings will cover the majority of operational needs.

Application:

These products are designed for use with cold potable water. Save with the express written permission of TALIS-UK Ltd, no warranty is given for any other use. Dimensions and weights are provided for guidance only.

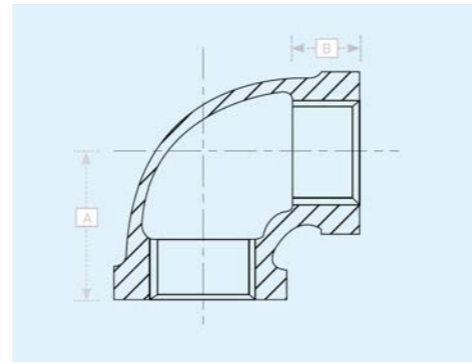
Safety:

As with all industrial products it is important to take adequate safety precautions such as the use of adequate protective clothing like gloves, overalls, eye protection and safety footwear during installation and maintenance of this product.

Technical Help:

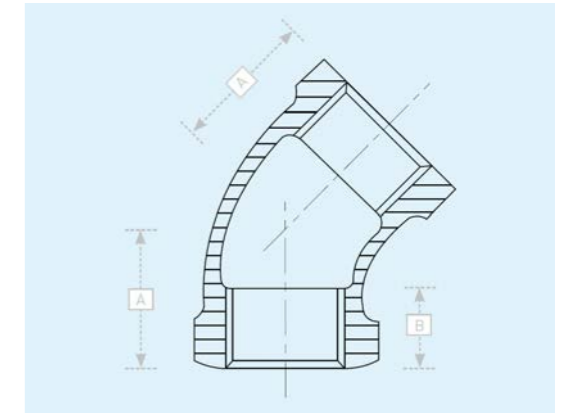
For further technical data, product specifications and general information please contact Customer Service on +44 (0)845 077 9797.

90° Equal Elbow Female x Female



Part Number	Size	A (ins)	B (ins)	Pack Quantity			Weight (Kg each)
				Bag	Box	Carton	
BSPE015F	3/8"	0.82	0.36	5	25	300	0.07
BSPE02F	1/2"	1.01	0.43	5	25	200	0.11
BSPE03F	3/4"	1.18	0.50	5	25	100	0.18
BSPE04F	1"	1.43	0.58	5	25	75	0.28
BSPE05F	1 1/4"	1.69	0.67	5		50	0.49
BSPE06F	1 1/2"	1.84	0.70	5		35	0.63
BSPE08F	2"	2.12	0.75	1		20	0.91

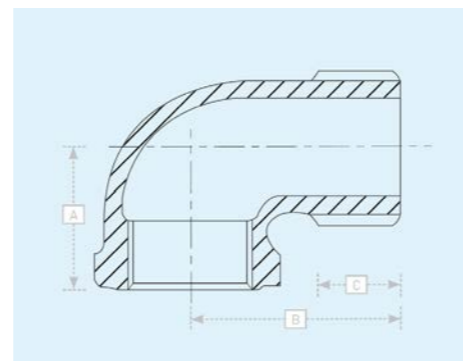
45° Equal Elbow Female x Female



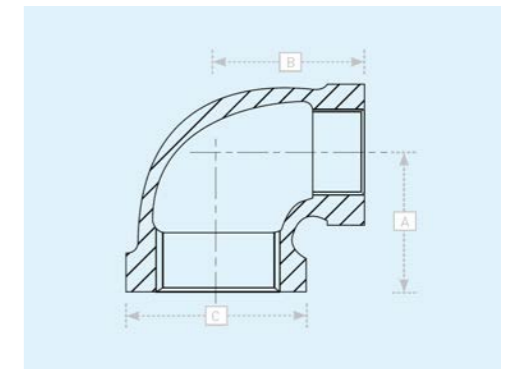
Part Number	Size	A (ins)	B (ins)	Pack Quantity			Weight (Kg each)
				Bag	Box	Carton	
BSP45E03F	3/4"	0.89	0.50	5	25	100	0.15

90° Reducing Elbow Female x Female

90° Elbow Male x Female

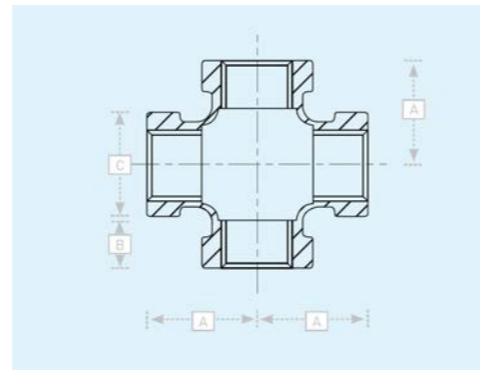


Part Number	Size	A (ins)	B (ins)	C (ins)	Pack Quantity			Weight (Kg each)
					Bag	Box	Carton	
BSPE01MF	1/4"	0.71	1.11	0.41	5	25	250	0.04
BSPE015MF	3/8"	0.82	1.24	0.41	5	25	300	0.07
BSPE02MF	1/2"	1.01	1.48	0.54	5	25	200	0.10
BSPE03MF	3/4"	1.18	1.65	0.55	5	25	100	0.17
BSPE04MF	1"	1.43	1.98	0.69	5	25	75	0.26
BSPE06MF	1 1/2"	1.84	2.46	0.73	5		35	0.60
BSPE08MF	2"	2.12	2.88	0.76	1		20	0.89



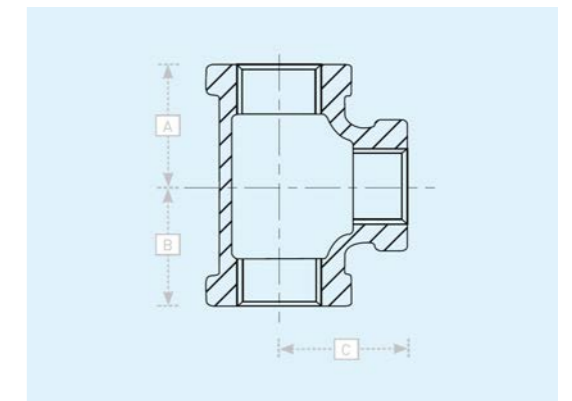
Part Number	Size	A (ins)	B (ins)	C (ins)	Pack Quantity			Weight (Kg each)
					Bag	Box	Carton	
BSPE0301F	3/4" x 1/4"	1.08	1.11	1.42	5	25	100	0.12
BSPE1002F	2 1/2" x 1/2"	2.20	2.60	3.49	1		15	0.90
BSPE1005F	2 1/2" x 1 1/4"	2.38	2.60	3.49	1		16	1.16

Equal Cross Female All Ends



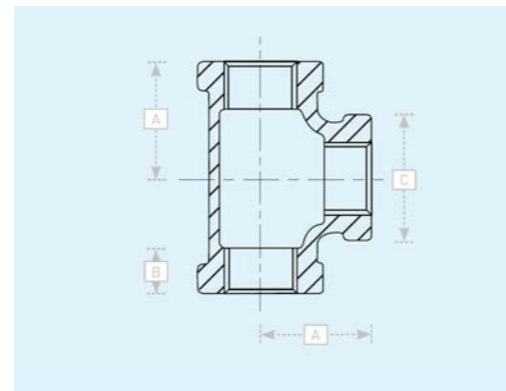
Part Number	Size	A (ins)	B (ins)	C (ins)	Pack Quantity			Weight (Kg each)
					Bag	Box	Carton	
BSPC02F	1/2"	1.12	0.45	1.34	5	25	75	0.20

Reducing Tee Female All Ends



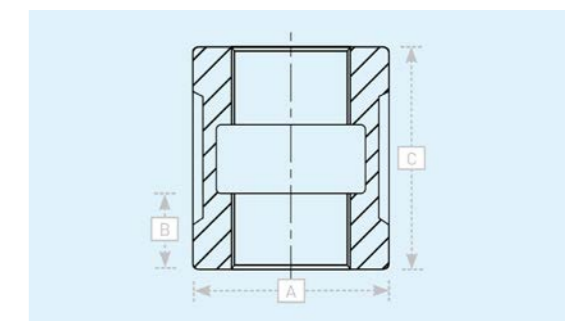
Part Number	Size (inlet x outlet x branch)	A (ins)	B (ins)	C (ins)	Pack Quantity			Weight (Kg each)
					Bag	Box	Carton	
BSPT030302F	3/4" x 3/4" x 1/2"	1.08	1.08	1.11	5	25		0.21
BSPT040402F	1" x 1" x 1/2"	1.20	1.20	1.24	5	10		0.31
BSPT040403F	1" x 1" x 3/4"	1.30	1.30	1.31	5	10		0.33
BSPT060603F	1 1/2" x 1 1/2" x 3/4"	1.42	1.42	1.60	5			0.62
BSPT101004F	2 1/2" x 2 1/2" x 1"	2.16	2.16	2.51	1			1.50
BSPT161610F	4" x 4" x 2 1/2"	3.30	3.30	3.60	1			4.41
BSPT040504F	1" x 1 1/4" x 1"	1.67	1.67	1.67	5			0.49
BSPT050205F	1 1/4" x 1/2" x 1 1/4"	1.69	1.40	1.69	5			0.55
BSPT050302F	1 1/4" x 3/4" x 1/2"	1.45	1.31	1.62	5			0.37
BSPT050304F	1 1/4" x 3/4" x 1"	1.58	1.45	1.50	5			0.50
BSPT060505F	1 1/2" x 1 1/4" x 1 1/4"	1.82	1.82	1.88	5			0.84
BSPT060506F	1 1/2" x 1 1/4" x 1 1/2"	1.94	1.88	1.94	5			0.79
BSPT080208F	2" x 1/2" x 2"	2.25	1.88	2.25	1			1.04
BSPT080308F	2" x 3/4" x 2"	2.25	1.97	2.25	1			1.13

Equal Tee Female All Ends



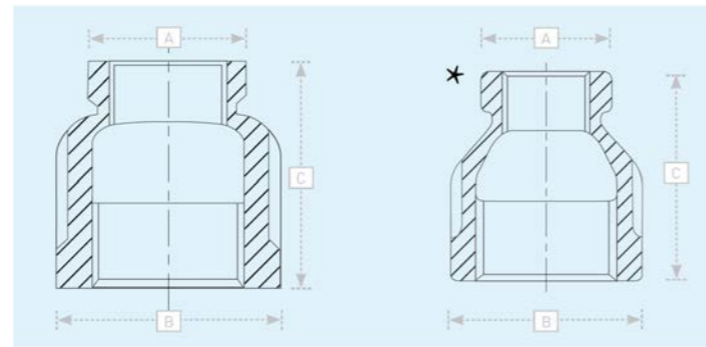
Part Number	Size	A (ins)	B (ins)	C (ins)	Pack Quantity			Weight (Kg each)
					Bag	Box	Carton	
BSPT01F	1/4"	0.72	0.35	0.81	5		300	0.06
BSPT015F	3/8"	0.83	0.37	1.00	5		100	0.12
BSPT02F	1/2"	1.03	0.45	1.17	5		100	0.16
BSPT03F	3/4"	1.19	0.52	1.47	5		75	0.24
BSPT04F	1"	1.43	0.60	1.72	5		40	0.41
BSPT05F	1 1/4"	1.71	0.67	2.10	5		35	0.63
BSPT06F	1 1/2"	1.87	0.70	2.38	5		24	0.79
BSPT08F	2"	2.14	0.76	2.92	1		15	1.31

Equal Socket Female x Female



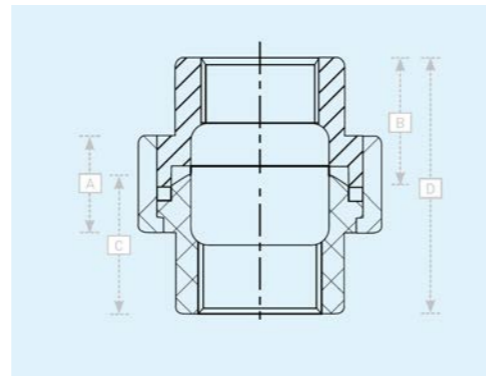
Part Number	Size	A (ins)	B (ins)	C (ins)	Pack Quantity			Weight (Kg each)
					Bag	Box	Carton	
BSPS01F	1/4"	0.81	0.32	0.97	5	25	600	0.03
BSPS02F	1/2"	1.17	0.43	1.29	5	25	200	0.09
BSPS03F	3/4"	1.42	0.50	1.43	5	25	100	0.13
BSPS04F	1"	1.72	0.58	1.68	5	25	100	0.21
BSPS05F	1 1/4"	2.10	0.67	1.86	5	25	75	0.33
BSPS06F	1 1/2"	2.38	0.70	1.92	51		50	0.44
BSPS08F	2"	2.92	0.75	2.20			30	0.67

Reducing Socket Female x Female



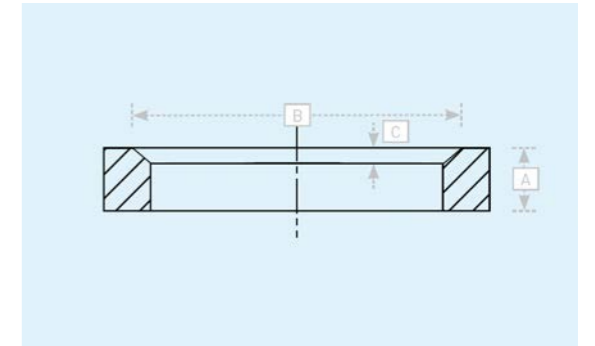
Part Number	Size	A (ins)	B (ins)	C (ins)	Pack Quantity			Weight (Kg each)
					Bag	Box	Carton	
BSPS01501F	3/8" x 1/4"	0.81	1.00	0.92	5	25	150	0.05
BSPS02015F	1/2" x 3/8"	1.00	1.17	1.17	5	25	200	0.07
BSPS0302F	3/4" x 1/2"	1.17	1.42	1.35	5	25	175	0.13
BSPS0401F	1" x 1/4"	0.81	1.72	1.56	5	25	50	0.17
BSPS0402F	1" x 1/2"	1.17	1.72	1.56	5	25	75	0.17
BSPS0403F	1" x 3/4"	1.42	1.72	1.56	5	25	100	0.18
BSPS0503F	1 1/4" x 3/4"	1.42	2.10	1.77	5		90	0.26
BSPS0504F	1 1/4" x 1"	1.72	2.10	1.77	5		70	0.28
BSPS0603F	1 1/2" x 3/4"	1.42	2.38	1.80	5		50	0.33
BSPS0604F	1 1/2" x 1"	1.72	2.38	1.80	5		70	0.34
BSPS0605F	1 1/2" x 1 1/4"	2.10	2.38	1.80	5		50	0.38
BSPS0802F	2" x 1/2"	1.17	2.92	2.03	1		25	0.53
BSPS0804F	2" x 1"	1.72	2.92	2.03	1		25	0.52
BSPS0805F	2" x 1 1/4"	2.10	2.92	2.03	1		25	0.52
BSPS0806F	2" x 1 1/2"	2.38	2.92	2.3	1		43	0.57

Straight Union (Flat Joint) Female x Female



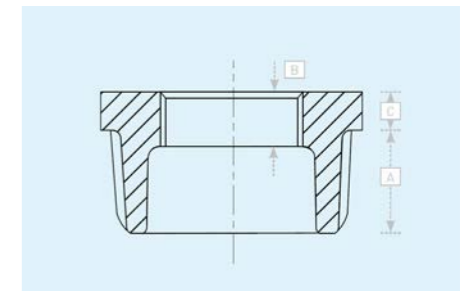
Part Number	Size	A (ins)	B (ins)	C (ins)	Pack Quantity			Weight (Kg each)
					Bag	Box	Carton	
BSPU01	1/4"	0.53	0.68	0.78	1.26	5	100	0.11
BSPU015	3/8"	0.62	0.82	0.86	1.49	5	100	0.18
BSPU03	3/4"	0.73	0.98	1.06	1.90	5	75	0.30
BSPU04	1"	0.78	1.12	1.20	2.12	5	40	0.45
BSPU05	1 1/4"	0.94	1.26	1.37	2.36	5	35	0.65
BSPU06	1 1/2"	1.02	1.35	1.53	3.67	5	25	0.81
BSPU10	2 1/2"	1.16	1.67	1.87	3.40	1	10	2.10

BSP Locknut



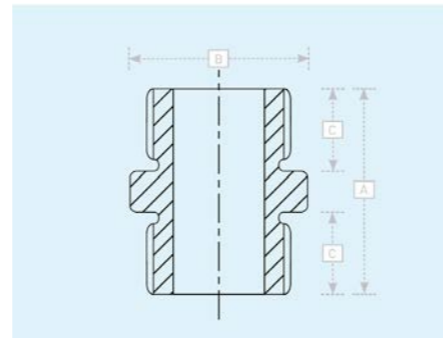
Part Number	Size	A (ins)	B (ins)	C (ins)	Pack Quantity			Weight (Kg each)
					Bag	Box	Carton	
BSPL05	1 1/4"	0.42	1.86	0.06	5		50	0.12
BSPL08	2"	0.53	2.63	0.09	1		50	0.28
BSPL10	2 1/2"	0.59	3.18	0.09	1		25	0.50
BSPL12	3"	0.67	3.84	0.09	1		25	0.55
BSPL16	4"	0.80	5.00	0.13	1		25	0.81

Reducing Hexagon Bush



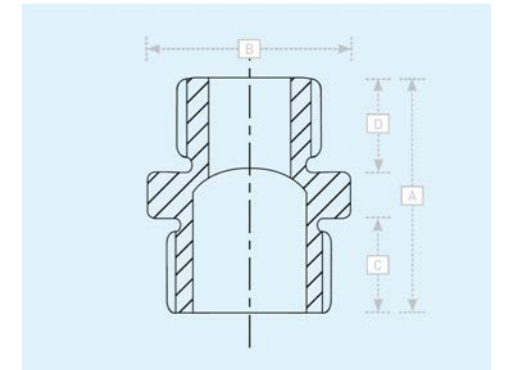
Part Number	Size	A (ins)	B (ins)	C (ins)	Pack Quantity			Weight (Kg each)
					Bag	Box	Carton	
BSPB01501	3/8" x 1/4"	0.48	0.40	0.16	5	25	600	0.02
BSPB0201	1/2" x 1/4"	0.56	0.32	0.19	5	25	450	0.04
BSPB02015	1/2" x 3/8"	0.56	0.41	0.19	5	25	450	0.04
BSPB0302	3/4" x 1/2"	0.63	0.53	0.22	5	25	300	0.06
BSPB0402	1" x 1/2"	0.75	0.43	0.25	5	25	150	0.12
BSPB0403	1" x 3/4"	0.75	0.50	0.25	5	25	150	0.10
BSPB0502	1 1/4" x 1/2"	0.80	0.43	0.34	5		120	0.16
BSPB0503	1 1/4" x 3/4"	0.80	0.50	0.28	5		115	0.21
BSPB0504	1 1/4" x 1"	0.80	0.58	0.28	5		120	0.15
BSPB0602	1 1/2" x 1/2"	0.83	0.43	0.37	5		105	0.23
BSPB0603	1 1/2" x 3/4"	0.83	0.50	0.37	5		105	0.23
BSPB0604	1 1/2" x 1"	0.83	0.58	0.31	5		90	0.27
BSPB0605	1 1/2" x 1 1/4"	0.83	0.71	0.31	5		100	0.19
BSPB08015	2" x 3/8"	0.88	0.36	0.30	1		25	0.43
BSPB0802	2" x 1/2"	0.88	0.43	0.41	1		83	0.30
BSPB0803	2" x 3/4"	0.88	0.50	0.41	1		76	0.33
BSPB0804	2" x 1"	0.88	0.58	0.41	1		67	0.37
BSPB0805	2" x 1 1/4"	0.88	0.67	0.41	1		59	0.42
BSPB0806	2" x 1 1/2"	0.88	0.70	0.34	1		78	0.32
BSPB1002	2 1/2" x 1/2"	1.07	0.43	0.41	1		25	0.49
BSPB1003	2 1/2" x 3/4"	1.07	0.50	0.41	1		25	0.50

Equal Hexagon Nipple



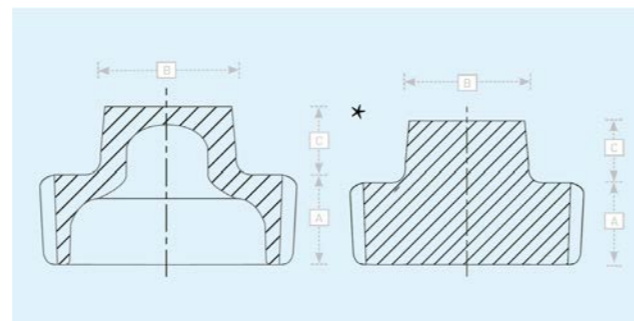
Part Number	Size	A (ins)	B (ins)	C (ins)	Pack Quantity			Weight (Kg each)
					Bag	Box	Carton	
BSPN01	1/4"	1.34	0.67	0.47	5	25	350	0.03
BSPN015	3/8"	1.42	0.83	0.51	5	25	175	0.05
BSPN02	1/2"	1.77	1.06	0.73	5	25	200	0.08
BSPN03	3/4"	1.89	1.26	0.77	5	25	100	0.13
BSPN04	1"	2.09	1.50	0.85	5	25	80	0.20
BSPN05	1 1/4"	2.21	1.89	0.91	5		35	0.28
BSPN06	1 1/2"	2.36	2.17	0.95	5		25	0.35
BSPN08	2"	2.76	2.76	1.10	1		10	0.52

Reducing Hexagon Nipple



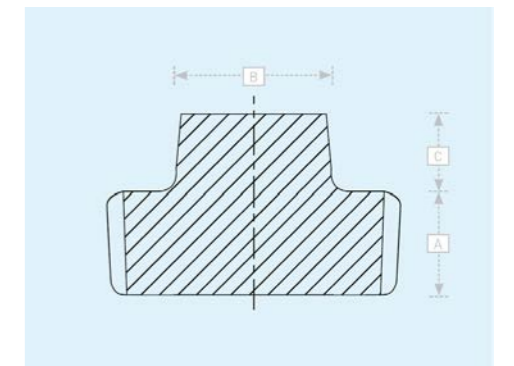
Part Number	Size	A (ins)	B (ins)	C (ins)	D (ins)	Pack Quantity			Weight (Kg each)
						Bag	Box	Carton	
BSPN0302	3/4" x 1/2"	1.85	1.18	0.81	0.69	5	25	100	0.12
BSPN0403	1" x 3/4"	2.09	1.42	0.89	0.81	5		150	0.15
BSPN0504	1 1/4" x 1"	2.24	1.81	0.98	0.87	5		50	0.29
BSPN0603	1 1/2" x 3/4"	2.32	1.97	1.02	0.83	5		50	0.42
BSPN0604	1 1/2" x 1"	2.32	1.97	0.98	0.87	5		50	0.31
BSPN0802	2" x 1/2"	2.68	2.56	1.30	0.83	1		25	0.46
BSPN0803	2" x 3/4"	2.68	2.56	1.26	0.87	1		25	0.46

Plain Plug Male



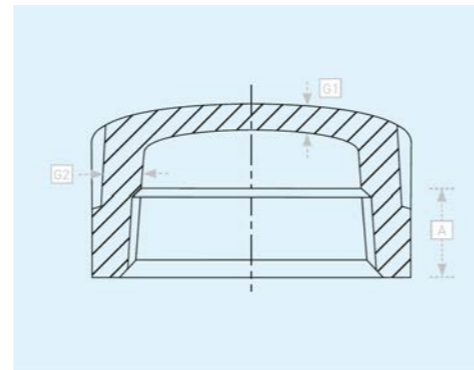
Part Number	Size	A (ins)	B (ins)	C (ins)	Pack Quantity			Weight (Kg each)
					Bag	Box	Carton	
BSPP015M	*3/8"	0.41	0.43	0.31	5	25	325	0.03
BSPP02M	1/2"	0.54	0.56	0.38	5	25	500	0.05
BSPP03M	3/4"	0.55	0.62	0.44	5	25	300	0.07
BSPP04M	1"	0.69	0.81	0.50	5	25	200	0.12
BSPP05M	1 1/4"	0.71	0.93	0.56	5		140	0.17
BSPP06M	1 1/2"	0.73	1.12	0.62	5		95	0.26
BSPP08M	2"	0.76	1.31	0.68	1		50	0.34
BSPP10M	2 1/2"	1.07	1.50	0.74	1		25	0.60

Solid Plain Plug Male



Part Number	Size	A (ins)	B (ins)	C (ins)	D (ins)	Pack Quantity			Weight (Kg each)
						Bag	Box	Carton	
BSPSP04M	1"	0.69	0.81	0.50	5		50	0.17	

Blank Cap



Part Number	Size	A (ins)	G1 (ins)	G2 (ins)	Pack Quantity			Weight (Kg each)
					Bag	Box	Carton	
BSPCA015	3/8"	0.36	0.09	0.11	5	25	100	0.04
BSPCA04	1"	0.58	0.11	0.15	5	25	150	0.15
BSPCA05	1 1/4"	0.67	0.12	0.17	5		75	0.25
BSPCA08	2"	0.75	0.15	0.22	1		46	0.53

Manifold Systems Technical Data

EBCO Meter Valves

EBCO meter valves are made from corrosion resistant gunmetal with either 1/2" or 3/4" valves and are available in 1/2" to 1" size range with male/female BSP threaded connections, 25mm EBCO Push-Fit connections for PE pipe and copper connections from 15mm to 22mm.

A 1" base spherical meter valve is available on request.

EBCO Meter Housings

EBCO gunmetal meter housings are corrosion resistant and available in the following sizes: 3/4" to 1 1/4" male and 1" female BSP threaded connections and 15mm copper connections.

Working Pressure:	Up to 16 bar	
Temperature *:	Up to 40°C	
Materials:	Manifold body and components:	Gunmetal BS EN 1982:2008 CC491K (formerly BS1400 LG2)
	Blanking plugs:	Plastic (Acetal) or Gunmetal
	O rings:	Nitrile or EPDM rubber
	Washers:	Nitrile or EPDM rubber
	Gland packing:	Graphite aramid fibre and rubber compound
	Ball seals:	Moulded or EPDM rubber

* Temperature increases may affect the installed life of the product. For further information relating to operating temperatures and pressure please contact our Customer Service department on the telephone number shown below. Please note that meters are not supplied as standard with the EBCO Manifold System.

Benefits

- Staggered meter mounts means that the unit is compact enough to fit an 18" by 24" meter chamber
- 1 1/2" female inlet and 3/4" male, 3/4" or 1" female or 25mm PE outlets (1" female inlet on 2 port manifold) allow most types of pipe material to be connected
- Each outlet has its own shut-off valve which is available with either screwdown or 1/4 turn valve operation
- Each unit is supplied individually boxed for quick and easy on-site assembly
- Made from gunmetal throughout the unit is robust and corrosion resistant in even the most aggressive ground conditions

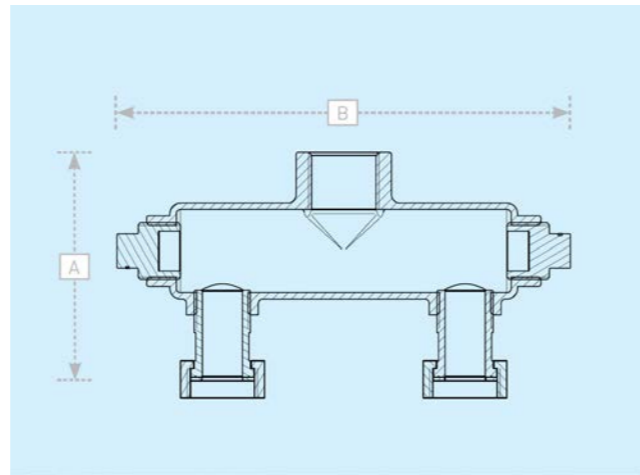
Safety

As with all industrial products it is important to take adequate safety precautions such as the use of adequate protective clothing like gloves, overalls, eye protection and safety footwear during installation and maintenance of this product.

Technical Help:

For further technical data, product specifications and general information please contact Customer Service on: +44 (0)845 077 9797

EBCO - 2 Port Manifold



Manifold (Without Meter Valve)

Part Number	Inlet x 1	Outlet x 2	Valve Size	Head Works	Blanking Plug	A (mm)	B (mm)	Pack Quantity			Weight (Kg each)
								Bag	Box	Carton	
MANI22	1" Female	1" Female Swivel				108	214				1.34



Manifolds with more than 12 ports are available. Please contact us for details.



Talbot Modular Manifold Systems

Manifold - PE Inlet, Concentric Type Meter Connections and PE outlets

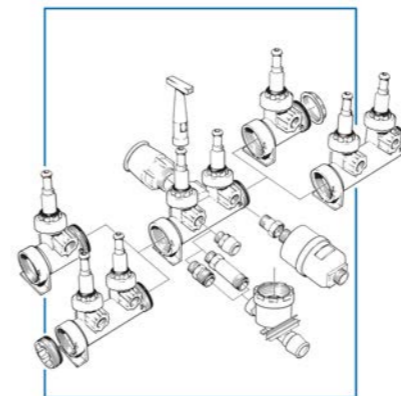
Code	Size	Bag Quantity	Weight (Kg each)
E3707	2 port, 25mm PE outlet x 50mm PE inlet	1	
E3708	3 port, 25mm PE outlet x 50mm PE inlet	1	
E3709	4 port, 25mm PE outlet x 50mm PE inlet	1	
E3710	5 port, 25mm PE outlet x 50mm PE inlet	1	
E3711	6 port, 25mm PE outlet x 50mm PE inlet	1	
E3712	7 port, 25mm PE outlet x 50mm PE inlet	1	
E3713	8 port, 25mm PE outlet x 50mm PE inlet	1	
E3714	9 port, 25mm PE outlet x 50mm PE inlet	1	
E3715	10 port, 25mm PE outlet x 50mm PE inlet	1	
E3716	11 port, 25mm PE outlet x 50mm PE inlet	1	
E3717	12 port, 25mm PE outlet x 50mm PE inlet	1	
E3718	2 port, 25mm PE outlet x 63mm PE inlet	1	
E3719	3 port, 25mm PE outlet x 63mm PE inlet	1	
E3720	4 port, 25mm PE outlet x 63mm PE inlet	1	
E3721	5 port, 25mm PE outlet x 63mm PE inlet	1	
E3722	6 port, 25mm PE outlet x 63mm PE inlet	1	
E3723	7 port, 25mm PE outlet x 63mm PE inlet	1	
E3724	8 port, 25mm PE outlet x 63mm PE inlet	1	
E3725	9 port, 25mm PE outlet x 63mm PE inlet	1	
E3726	10 port, 25mm PE outlet x 63mm PE inlet	1	
E3727	11 port, 25mm PE outlet x 63mm PE inlet	1	
E3728	12 port, 25mm PE outlet x 63mm PE inlet	1	

Manifold - PE Inlet, Concentric Type Meter Connections and PE outlets

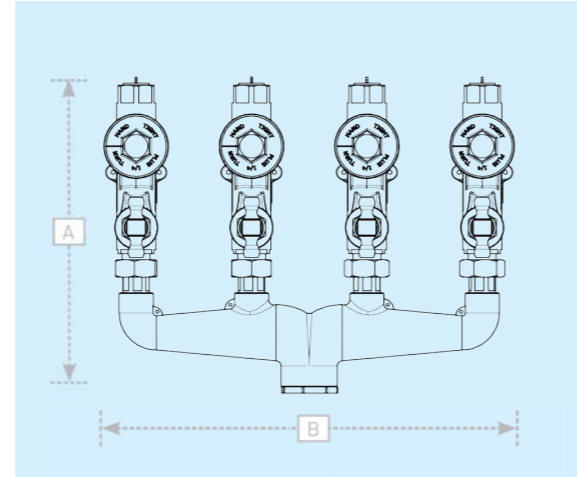
Code	Size	Bag Quantity	Weight (Kg each)
E3751	2 port, 25mm PE outlet x 50mm PE inlet	1	
E3752	3 port, 25mm PE outlet x 50mm PE inlet	1	
E3753	4 port, 25mm PE outlet x 50mm PE inlet	1	
E3754	5 port, 25mm PE outlet x 50mm PE inlet	1	
E3755	6 port, 25mm PE outlet x 50mm PE inlet	1	
E3756	7 port, 25mm PE outlet x 50mm PE inlet	1	
E3757	8 port, 25mm PE outlet x 50mm PE inlet	1	
E3758	9 port, 25mm PE outlet x 50mm PE inlet	1	
E3759	10 port, 25mm PE outlet x 50mm PE inlet	1	
E3760	11 port, 25mm PE outlet x 50mm PE inlet	1	
E3761	12 port, 25mm PE outlet x 50mm PE inlet	1	
E3762	2 port, 25mm PE outlet x 63mm PE inlet	1	
E3763	3 port, 25mm PE outlet x 63mm PE inlet	1	
E3764	4 port, 25mm PE outlet x 63mm PE inlet	1	
E3765	5 port, 25mm PE outlet x 63mm PE inlet	1	
E3766	6 port, 25mm PE outlet x 63mm PE inlet	1	
E3767	7 port, 25mm PE outlet x 63mm PE inlet	1	
E3768	8 port, 25mm PE outlet x 63mm PE inlet	1	
E3769	9 port, 25mm PE outlet x 63mm PE inlet	1	
E3770	10 port, 25mm PE outlet x 63mm PE inlet	1	
E3771	11 port, 25mm PE outlet x 63mm PE inlet	1	
E3772	12 port, 25mm PE outlet x 63mm PE inlet	1	



Manifolds with more than 12 ports are available. Please contact us for details.



EBCO - 4 Port Manifold



Manifold (Without Meter Valve)

Part Number	Inlet x 1	Outlet x 4	Valve Size	Head Works	Blanking Plug	A (mm)	B (mm)	Pack Quantity			Weight (Kg each)
								Bag	Box	Carton	
MANI4	1 1/2" Female	3/4" Female				94	380				1.74
MANI43	1 1/2" Female	3/4" Female Swivel				135	390				2.41
MANI44	1 1/2" Female	1" Female Swivel				126	390				2.53

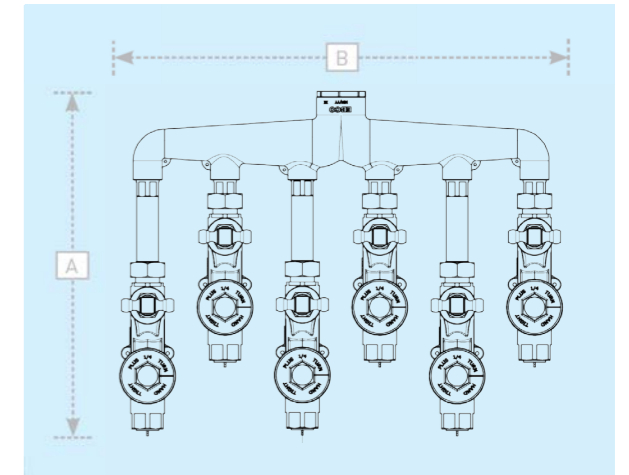
Manifold (Kit Form)

Part Number	Inlet x 1	Outlet x 4	Valve Size	Head Works	Blanking Plug	A (mm)	B (mm)	Pack Quantity			Weight (Kg each)
								Bag	Box	Carton	
MANI401	1 1/2" Female	3/4" Male	1/2"	Crutch Head	Dust Cap	312	408				6.79
MANI402	1 1/2" Female	3/4" Male	1/2"	Crutch Head	Full Flow	312	408				6.97
MANI403	1 1/2" Female	3/4" Male	1/2"	Crutch Head	Trickle Flow	312	408				7.02
MANI410	1 1/2" Female	3/4" Female	3/4"	Crutch Head	Dust Cap	301	408				9.15
MANI411	1 1/2" Female	3/4" Female	3/4"	Crutch Head	Full Flow	301	408				9.37
MANI451	1 1/2" Female	3/4" Female	3/4"	1/4" Turn	Full Flow	367	408				8.85
MANI451s	1 1/2" Female	3/4" Female	3/4"	1/4" Turn	Full Flow	290	408				7.19

Manifold (Assembled)

Part Number	Inlet x 1	Outlet x 4	Valve Size	Head Works	Blanking Plug	A (mm)	B (mm)	Pack Quantity			Weight (Kg each)
								Bag	Box	Carton	
MANI420	1 1/2" Female	3/4" Female	3/4"	Crutch Head	Full Flow	301	408				9.33
MANI452	1 1/2" Female	3/4" Female	3/4"	1/4" Turn	Full Flow	367	408				8.85

EBCO - 6 Port Manifold



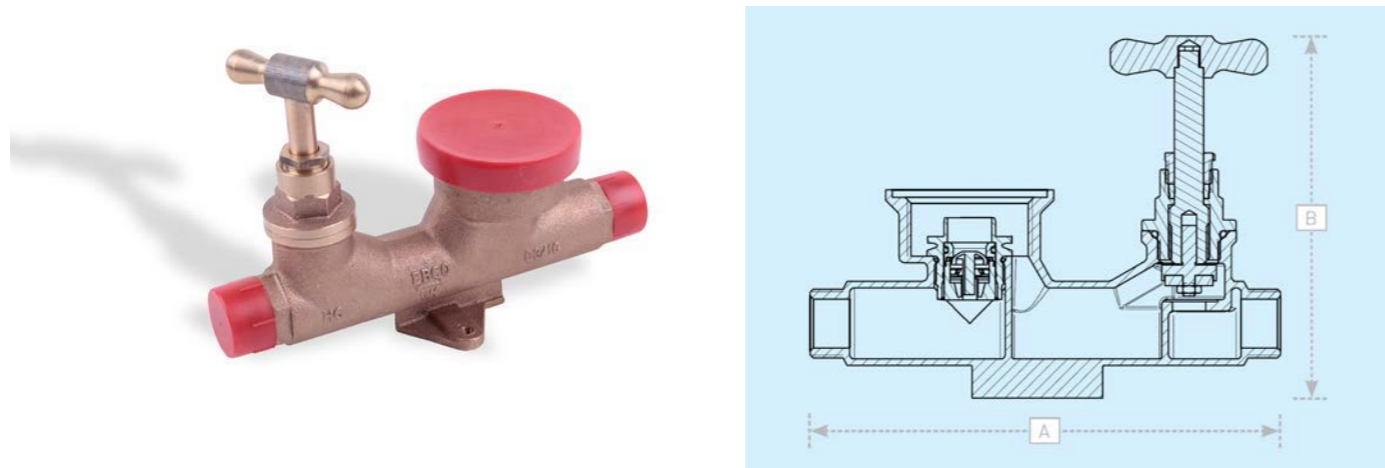
Manifold (Without Meter Valve)

Part Number	Inlet x 1	Outlet x 6	Valve Size	Head Works	Blanking Plug	A (mm)	B (mm)	Pack Quantity			Weight (Kg each)
								Bag	Box	Carton	
MANI6	1 1/2" Female	3/4" Female				96	480				2.22
MANI63	1 1/2" Female	3/4" Female Swivel				220	480				3.52
MANI64	1 1/2" Female	1" Female Swivel				210	480				3.83

Manifold (Kit Form)

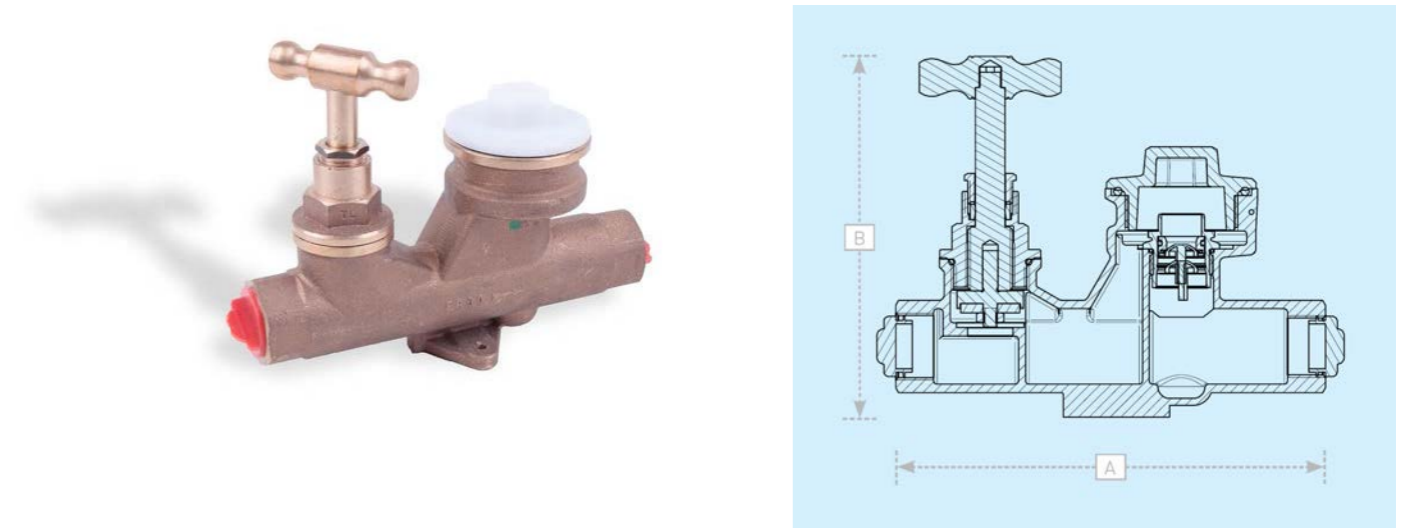
Part Number	Inlet x 1	Outlet x 6	Valve Size	Head Works	Blanking Plug	A (mm)	B (mm)	Pack Quantity			Weight (Kg each)
								Bag	Box	Carton	
MANI601	1 1/2" Female	3/4" Male	1/2"	Crutch Head	Dust Cap	382	510				10.09
MANI602	1 1/2" Female	3/4" Male	1/2"	Crutch Head	Full Flow	382	510				10.37
MANI603	1 1/2" Female	3/4" Male	1/2"	Crutch Head	Trickle Flow	382	510				10.44
MANI610	1 1/2" Female	3/4" Female	3/4"	Crutch Head	Dust Cap	382	510				13.95
MANI611	1 1/2" Female	3/4" Female	3/4"	Crutch Head	Full Flow	382	510				14.01
MANI651	1 1/2" Female	3/4" Female	3/4"	1/4" Turn	Full Flow	448	510				13.31

EBCO - 1/2" Base Meter Valve



Part Number	Inlet	Outlet	Head Works	Blanking Plug	A (mm)	B (mm)	Pack Quantity			Weight (Kg each)
							Bag	Box	Carton	
MVB0010	1/2" Female	1/2" Female	Crutch Head	Full Flow	180	139				1.24
MVB0020	3/4" Male	3/4" Male	Crutch Head	Dust Cap	180	139		8		1.14
MVB0030	3/4" Male	3/4" Male	Crutch Head	Full Flow	180	139		8		1.18
MVB0040	3/4" Male	3/4" Male	Crutch Head	No Flow	180	139		8		1.19
MVB0045	3/4" Male	3/4" Male	Crutch Head	Trickle Flow	180	139		8		1.19
MVB0100	1/2" Female	1/2" Female	1/2" Square Head	Dust Cap	180	139				1.18
MVB0110	1/2" Female	1/2" Female	1/2" Square Head	Full Flow	180	139				1.22
MVB0120	3/4" Male	3/4" Male	1/2" Square Head	Dust Cap	180	139				1.12
MVB0130	3/4" Male	3/4" Male	1/2" Square Head	Full Flow	180	139				1.16

EBCO - 3/4" Base Meter Valve

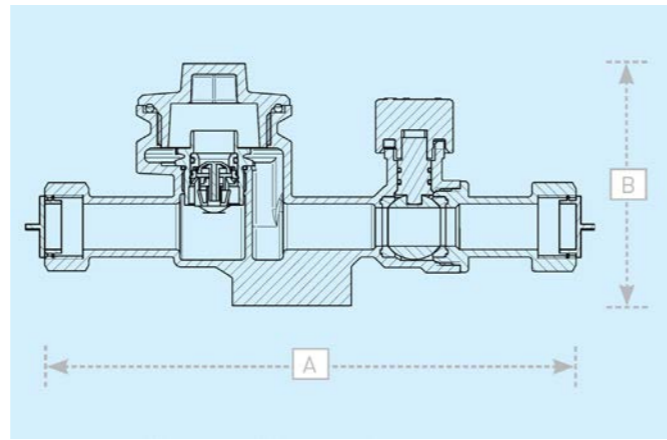


Part Number	Inlet	Outlet	Head Works	Blanking Plug	A (mm)	B (mm)	Pack Quantity			Weight (Kg each)
							Bag	Box	Carton	
MVB0140	25mm BPF	25mm BPF	Crutch Head	Dust Cap	182	153				
MVB0200	3/4" Female	3/4" Female	Crutch Head	Dust Cap	182	153		6		1.66
MVB0210	3/4" Female	3/4" Female	Crutch Head	Full Flow	182	153		8		1.70
MVB0240	1" Male	3/4" Female	Crutch Head	Dust Cap	182	153				1.62
MVB0250	1" Male	3/4" Female	Crutch Head	Full Flow	182	153		8		1.66
MVB0255	1" Male	3/4" Female	Crutch Head	Trickle Flow	182	153				1.67
MVB0220	1" Male	1" Male	Crutch Head	Dust Cap	182	153				
MVB0230	1" Male	1" Male	Crutch Head	Full Flow	182	153				1.62
MVB0241	1" Male	3/4" Female	1/2" Square Head	Dust Cap	182	153				1.58

Dual Non Return Valve

Part Number	Inlet	Outlet	Head Works	Blanking Plug	A (mm)	B (mm)	Pack Quantity			Weight (Kg each)
							Bag	Box	Carton	
MVB0211	3/4" Female	3/4" Female	Crutch Head	Full Flow	182	153				1.78

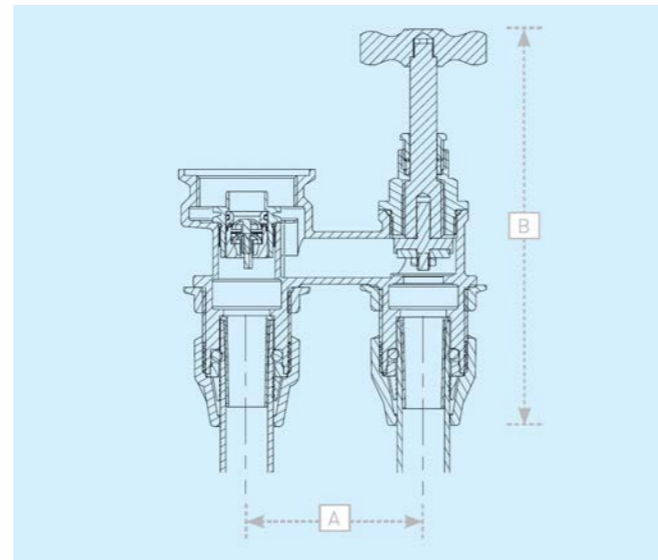
EBCO - 3/4" Base Spherical Meter Valve



Part Number	Inlet	Outlet	Head Works	Blanking Plug	A (mm)	B (mm)	Pack Quantity			Weight (Kg each)
							Bag	Box	Carton	
MVS0110	3/4" Female	3/4" Female	1/4" Turn	Full Flow	223	102				1.38
MVB0420	3/4" Female	15mm Copper	1/4" Turn	Full Flow	287	102				1.59

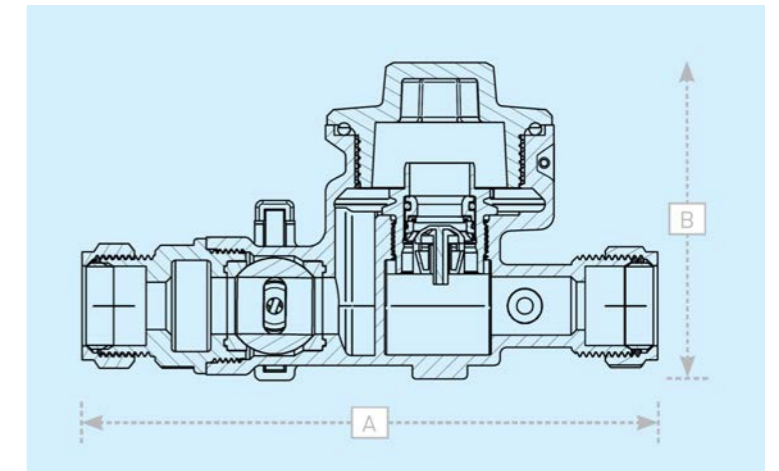
A 1" Base Spherical Meter Valve is available on request

EBCO - 3/4" Raised Meter Valve



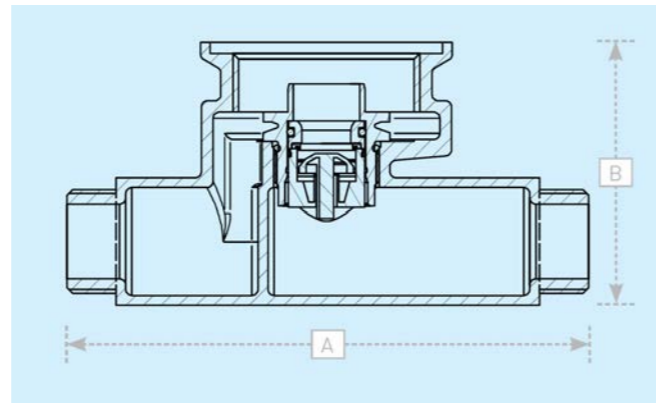
Part Number	Inlet	Outlet	Head Works	Blanking Plug	A (mm)	B (mm)	Pack Quantity			Weight (Kg each)
							Bag	Box	Carton	
MVR0001	25mm BPF	25mm BPF	Crutch Head	Dust Cap	84	189		4		1.66
MVR0020	25mm BPF	25mm BPF	Crutch Head	Full Flow	84	189		4		1.70
MVR0040	25mm BPF Tail	25mm BPF Tail	Crutch Head	Dust Cap	84	189		4		1.83

EBCO - Spherical In-Line Meter Valve



Part Number	Inlet	Outlet	Head Works	Blanking Plug	A (mm)	B (mm)	Pack Quantity			Weight (Kg each)
							Bag	Box	Carton	
MVS2515L	25mm BSP	15mm Copper	1/4" Turn LHS	Full Flow	185	89				1.08
MVS2522L	25mm BSP	22mm Copper	1/4" Turn LHS	Full Flow	185	89				1.10
MVS1515L	15mm Copper	15mm Copper	1/4" Turn LHS	Full Flow	162	89				1.07
MVS2215L	22mm Copper	15mm Copper	1/4" Turn LHS	Full Flow	162	89				1.08
MVS2515R	25mm BSP	15mm Copper	1/4" Turn LHS	Full Flow	185	89				1.08
MVS2522R	25mm BSP	22mm Copper	1/4" Turn LHS	Full Flow	185	89				1.10
MVS1515R	15mm Copper	15mm Copper	1/4" Turn LHS	Full Flow	162	89				1.07
MVS2215R	22mm Copper	15mm Copper	1/4" Turn LHS	Full Flow	162	89				1.08
MVS2222R	22mm Copper	22mm Copper	1/4" Turn LHS	Full Flow	162	89				1.10

EBCO - Meter Housing

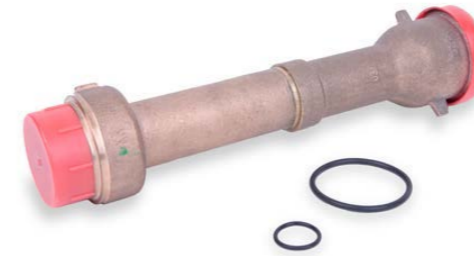


Part Number	Inlet	Outlet	Blanking Plug	A (mm)	B (mm)	Pack Quantity			Weight (Kg each)
						Bag	Box	Carton	
MVH0001	3/4" Male	3/4" Male	Dust Cap	133	67		12		0.62
MVH0010	1" Male	1" Male	Dust Cap	165	67		6		0.73
MVH0015	1" Female	1" Female	Dust Cap	199	86				1.36
MVH0020	1 1/4" Male	1 1/4" Male	Dust Cap	199	84		6		1.38
MVH0080	15mm Copper	15mm Copper	Dust Cap	94	55		16		0.64

Dual Non Return Valve

Part Number	Inlet	Outlet	Blanking Plug	A (mm)	B (mm)	Pack Quantity			Weight (Kg each)
						Bag	Box	Carton	
MVH0030	3/4" Male	3/4" Male	Dust Cap	133	90				0.79
MVH0040	1" Male	1" Male	Dust Cap	165	90				0.92

EBCO - Accessories



Meter Raiser

Part Number	Inlet	Outlet	Valve Size	Height (mm)	Pack Quantity			Weight (Kg each)
					Bag	Box	Carton	
MR010	1 1/2" Male BSP	1 1/2" Female BSP	1/2", 3/4"	270		10		1.26

Meter Housing Adaptor

Part Number	Inlet	Outlet	Valve Size	Height (mm)	Pack Quantity			Weight (Kg each)
					Bag	Box	Carton	
MHA0806	2" Male BSP	1 1/2" Female BSP	1"	49		16		0.44

EBCO - Replacement Parts



Blanking Plugs

Part Number	Plug Type	Valve Size	Seal Type	Thread Size	Pack Quantity			Weight (Kg each)
					Bag	Box	Carton	
MCP10	Acetal Full Flow (White)	1/2", 3/4"	O ring	1 1/2" BSP		50		0.04
MCP20	Acetal Trickle Flow (Yellow)	1/2", 3/4"	O ring	1 1/2" BSP		50		0.05
MCP30	Acetal No Flow (Red)	1/2", 3/4"	O ring	1 1/2" BSP		40		0.05
MCP40	Acetal Full Flow (White)	1/2", 3/4"	Flat Washer	1 1/2" BSP				0.04
MCG10	Gunmetal Full Flow	1/2", 3/4"	O ring	1 1/2" BSP		50		0.20
MCG30	Gunmetal No Flow	1/2", 3/4"	O ring	1 1/2" BSP				0.24
MCG15	Gunmetal Full Flow	1"	O ring	2" BSP		30		0.33

Meter Valve Headworks

Part Number	Inlet	Valve Size	Pack Quantity			Weight (Kg each)
			Bag	Box	Carton	
TWM5403CR	Crutch Head	3/4"		21		0.42
TWM5403SH1	1/2" Square Head	3/4"		50		0.38
TWM5403SH2	1/2" Square Head	3/4"				0.38

Valves and Stopcocks

Technical Data

EBCO and Talbot BS5433 Stopcocks

Premium quality gunmetal stopcocks manufactured to BS5433 are highly resistant to corrosion and provide years of service in even the most aggressive soil conditions.

Gunmetal stopcocks are available in 1/2" to 2" size range with male/female BSP threaded connections, EBCO Push-Fit and Talbot Pushfit connections from 20mm to 63mm (1/2" to 2") for PE pipe and copper Type B connections from 15mm to 54mm. BS5433 stopcocks can be supplied with either crutch heads or square heads.

Sizes:	Female/Male threaded for iron pipe:	1/2" to 2"
	EBCO Pushfit/Talbot Pushfit for PE:	20mm (1/2") to 63mm (2")
	Compression for PE:	20mm (1/2") to 63mm (2")
	Compression for copper:	15mm to 54mm
Materials:	All metallic parts:	Gunmetal to BS EN 1982:2008 CC491K
	Heated seal 'O'ring:	Nitrile or EPDM rubber
	Washer:	Nitrile or EPDM rubber
	Gland packing:	Graphite aramid fibre and rubber compound
Working Pressure:	Up to 16 bar (240psi)	
Temperature:	Up to 40°C	

* The pressure stated above applies with water temperatures up to 20°C.

** Temperature increases may affect the installed life of the product. For further information relating to operating temperatures please contact our Customer Service department.

EBCO BS1010 Bibcocks and Stopvalves

Manufactured from gunmetal and brass to BS1010 for above ground applications, and available in 1/2" to 2" size range with both female and male BSP threaded connections.

Sizes:	Female/Male threaded for iron pipe:	1/2" to 2"
Materials:	Gunmetal to BS EN 1982:2008 CC491K and Brass	
Working Pressure:	Up to 10 bar (150psi)	

EBCO Spherical Ball Valves

Spherical ball valves are made from corrosion resistant gunmetal and offer a full flow facility with either a 1/4 turn or 360° on/off control. Available in a variety of connections: 1/2" to 2" BSP female, 25mm and 32mm EBCO Push-Fit and 15mm to 54mm copper Type B, and are supplied with fan heads.

Sizes:	Female threaded for iron pipe:	1/2" to 2"
	EBCO Pushfit:	20mm to 32mm
	Compression for copper:	15mm to 54mm
Materials:	All metallic parts:	Gunmetal to BS EN 1982:2008 CC491K
	'O'rings:	EPDM rubber
	Ball seats:	Moulded EPDM rubber
Working Pressure:	Up to 20 bar (300psi)	

Valves and Stopcocks

Technical Data

Talbot Talflo Valve

The Talbot Talflo Valve is a self closing water supply valve used in conjunction with community stand posts. The Talflo Valve has been developed over a considerable period of time using information received from the market place and following rigorous testing with bodies such as the Consumer Association in the UK. In the field it has undergone endurance testing in several countries including Egypt, Nigeria and Ethiopia and has been in use for many years in the most arduous of conditions.

Sizes:	Female threaded stand post connections:	1/2" and 3/4"
Materials:	Elbow:	Galvanised malleable iron
	Retaining nut:	Stainless steel Grade A2
	Seat support washer:	Brass
	Seat washer:	Nitrile rubber
	Bush:	Acetal
	Valve shaft:	Brass
	'O' rings:	Nitrile rubber
	Body:	Mild steel, nickel plated

EBCO Sampling Taps

Sampling taps are for use in the quality testing and monitoring of water supplies. Designed for above ground use and supplied complete with retaining chain.

Sizes:	Male threaded for iron pipe:	1/2"
Materials:	Brass:	Finish: Chromium plated
Working Pressure:	Up to 10 bar (150psi)	

Benefits

Available in a variety of tried and tested configurations with outlet types and sizes to suit PE and threaded pipe and Type B copper tube. Stopcocks can be supplied with a variety of headworks to meet specific customer requirements. Design and selection of materials gives high strength for installation and operation, and corrosion resistance for long life.

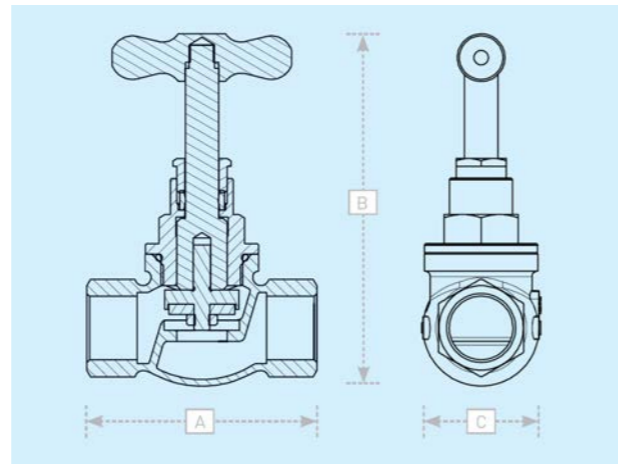
Safety

As with all industrial products it is important to take adequate safety precautions such as the use of adequate protective clothing like gloves, overalls, eye protection and safety footwear during installation and maintenance of this product.

Technical Help:

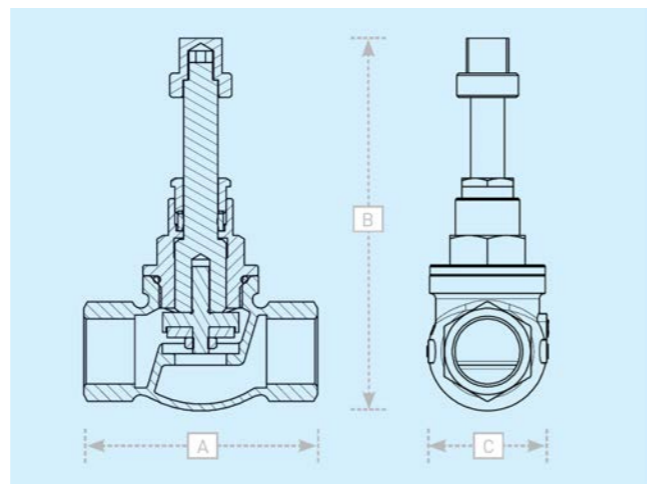
For further technical data, product specifications and general information please contact Customer Service on: +44 (0)845 077 9797.

EBCO BS5433 Stopcock - BSP Female/Crutch Head



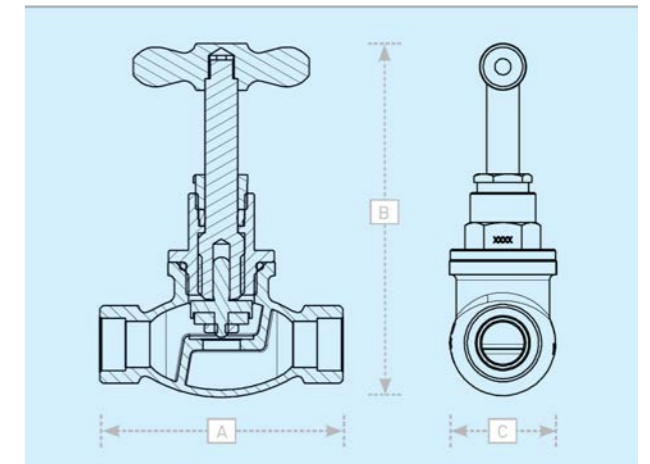
Part Number	Size (inlet/outlet)	Headworks	A (mm)	B (mm)	C (mm)	Pack Quantity			Weight (Kg each)
						Bag	Box	Carton	
SV5402FCR	1/2" x 1/2" Female	Crutch Head	79	119	39		20		0.53
SV5403FCR	3/4" x 3/4" Female	Crutch Head	87	133	44		12		0.83
SV5404FCR	1" x 1" Female	Crutch Head	110	170	57		6		1.60
SV5406FCR	1 1/2" x 1 1/2" Female	Crutch Head	142	223	74		3		3.36
SV5408FCR	2" x 2" Female	Crutch Head	162	256	97		2		5.76

EBCO BS5433 Stopcock - BSP Female/Square Head



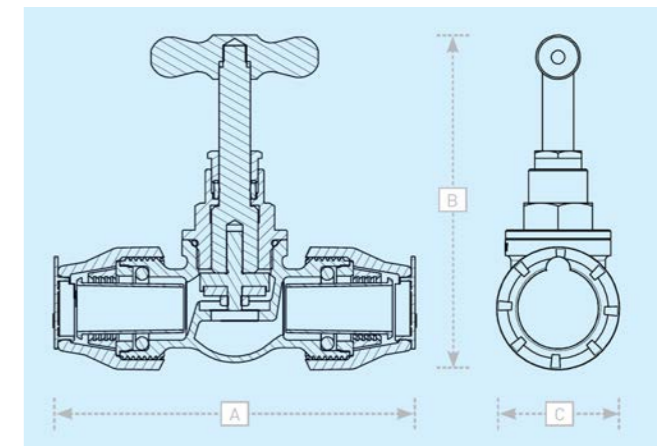
Part Number	Size (inlet/outlet)	Headworks	A (mm)	B (mm)	C (mm)	Pack Quantity			Weight (Kg each)
						Bag	Box	Carton	
SV5403FS2	3/4" x 3/4" Female	5/8" Square Head	87	138	44				0.78
SV5406FS2	1 1/2" x 1 1/2" Female	5/8" Square Spindle	142	216	74				3.04
SV5408FS2	2" x 2" Female	5/8" Square Spindle	162	250	97		2		5.28

EBCO BS5433 Stopcock - BSP Male/Crutch Head



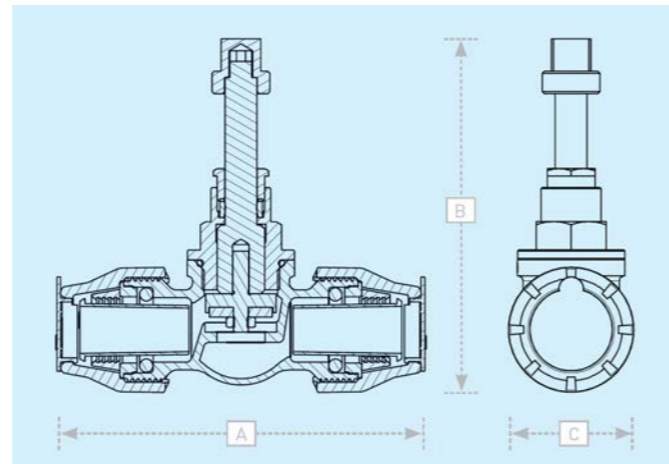
Part Number	Size (inlet/outlet)	Headworks	A (mm)	B (mm)	C (mm)	Pack Quantity			Weight (Kg each)
						Bag	Box	Carton	
SV5402MCR	1/2" x 1/2" Male	Crutch Head	117	117	36				0.69

EBCO BS5433 Stopcock - Pushfit/Crutch Head



Part Number	Size (inlet/outlet)	Headworks	A (mm)	B (mm)	C (mm)	Pack Quantity			Weight (Kg each)
						Bag	Box	Carton	
SV5420ZCR	20mm x 20mm BPF	Crutch Head	126	121	41		15		0.58
SV5425ZCR	25mm x 25mm BPF	Crutch Head	148	136	50		12		0.94
SV5432ZCR	32mm x 32mm BPF	Crutch Head	175	169	58		8		1.67
SV5450ZCR	50mm x 50mm BPF	Crutch Head	355	228	84		2		3.96
SV5463ZCR	63mm x 63mm BPF	Crutch Head	400	260	105				6.70

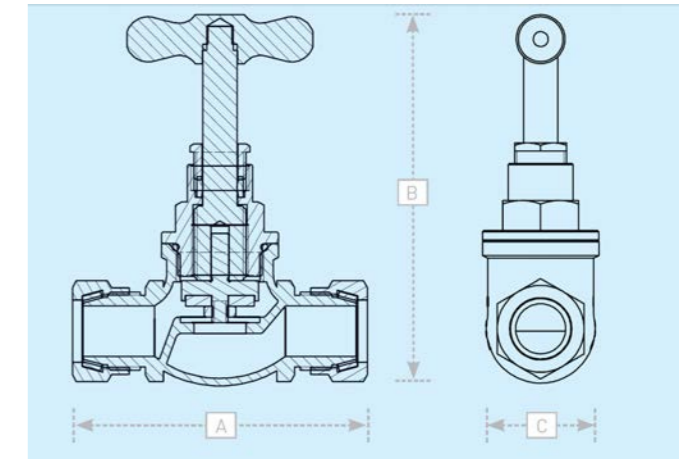
EBCO BS5433 Stopcock - Pushfit/Square Head



Part Number	Size (inlet/outlet)	Headworks	A (mm)	B (mm)	C (mm)	Pack Quantity			Weight (Kg each)
						Bag	Box	Carton	
SV5425ZS2	25mm x 25mm BPF	5/8" Square Spindle	148	141	50		12		0.88
SV5432ZS2	32mm x 32mm BPF	5/8" Square Spindle	175	182	58		8		1.52
SV5450ZS2	50mm x 50mm BPF	5/8" Square Spindle	352	217	85		2		3.62
SV5463ZS2	63mm x 63mm BPF	5/8" Square Spindle	400	250	105				6.22

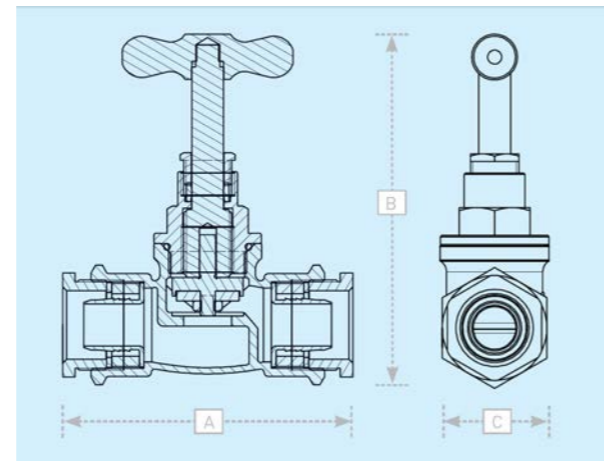


EBCO BS5433 Stopcock - EBCO-S Compression Fitting (Type B Copper Tube)



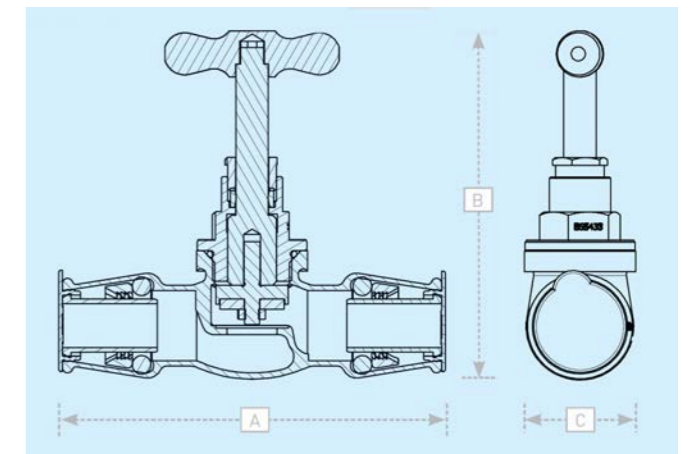
Part Number	Size (inlet/outlet)	Headworks	A (mm)	B (mm)	C (mm)	Pack Quantity			Weight (Kg each)
						Bag	Box	Carton	
SV5422CR	22mm x 22mm	Crutch Head	108	136	43		12		0.90
SV5428CR	28mm x 28mm	Crutch Head	130	166	56		6		1.70
SV5454SCR	54mm x 54mm	Crutch Head	255	267	94				7.72

EBCO BS5433 Stopcock - EBCO-B Compression Fitting (Metric MDPE)



Part Number	Size (inlet/outlet)	Headworks	A (mm)	B (mm)	C (mm)	Pack Quantity			Weight (Kg each)
						Bag	Box	Carton	
SV5420BCR	20mm x 20mm EBCO-B	Crutch Head	91	120	37				0.62
SV5450BCR	50mm x 50mm EBCO-B	Crutch Head	190	223	76		3		4.40
SV5463BCR	63mm x 63mm EBCO-B	Crutch Head	213	256	91		2		6.99

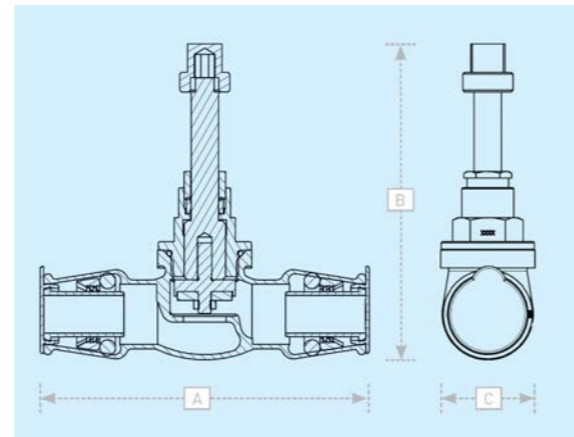
TALBOT BS5433 Stopcock - Talbot Pushfit/Crutch Head



Part Number	Size (inlet/outlet)	Headworks	A (mm)	B (mm)	C (mm)	Pack Quantity			Weight (Kg each)
						Bag	Box	Carton	
E2988*	20mm x 20mm PF	Crutch Head	122	118	38		15		0.64
E2993*	25mm x 25mm PF	Crutch Head	148	136	42		12		0.94
E2996*	32mm x 32mm PF	Crutch Head	176	171	55		8		1.69
E2998*	50mm x 50mm PF	Crutch Head	258	225	73		3		4.01
E3000*	63mm x 63mm PF	Crutch Head	297	261	94		2		6.90
E2982	1/2" x 1/2" PF	Crutch Head	122	118	38				0.64
E2983	3/4" x 3/4" PF	Crutch Head	148	136	42				0.93

* Includes pipe liner for metric PE pipe

TALBOT BS5433 Stopcock - Talbot Pushfit/SquareHead



Part Number	Size (inlet/outlet)	Headworks	A (mm)	B (mm)	C (mm)	Pack Quantity			Weight (Kg each)
						Bag	Box	Carton	
E2990*	20mm x 20mm PF	5/8" Square Head	122	125	38		15		0.62
E2995*	25mm x 25mm PF	5/8" Square Head	148	145	42		10		0.90
E2997*	32mm x 32mm PF	5/8" Square Head	176	188	55		8		1.80

* Includes pipe liner for metric PE pipe

Stopcock Chamber Systems



Stopcock Chamber Systems

Code	Description	Bag Quantity	Weight
E3199	Stopcock Chamber System, Standard. Small base, water box 700mm tube	1	
E7226	Stopcock Chamber System, large base, water box 700mm tube	1	
E7057	Stopcock Chamber System, large base, gas box (yellow) 700mm tube	1	
Description			
1202A	Surface Box - Water (Black)	1	
1203A	Surface Box - Gas (Black)	1	
1206A	Surface Water Box (Yellow)	1	
1208	Stopcock Chamber guard tube - 6" x 700mm PVC	1	
1209	Stopcock Chamber base, small (6")	1	
1210	Stopcock Chamber Universal Top Adaptor	1	
1211	Stopcock Chamber base, large (6")	1	

TALBOT Plastic Stopcocks

The Talbot Plastic Stopcock's design is based on proven technology and can be used in all situations normally suited to a BS 5433 stopcock.

Benefits

- **Torque overload protection.**
A purpose designed key provides effective protection against damage caused by over-tightening.
- **Tried and Tested Technology**
The PE stopcock uses the reliable and easy to use Talbot Pushfit connection combined with existing traditional screw-down headworks technology.
- **Tough and Robust**
Design and selection of materials gives high strength for installation and operation, and corrosion resistance for long life.



Stopcocks - Plastic WIS 4-23-04

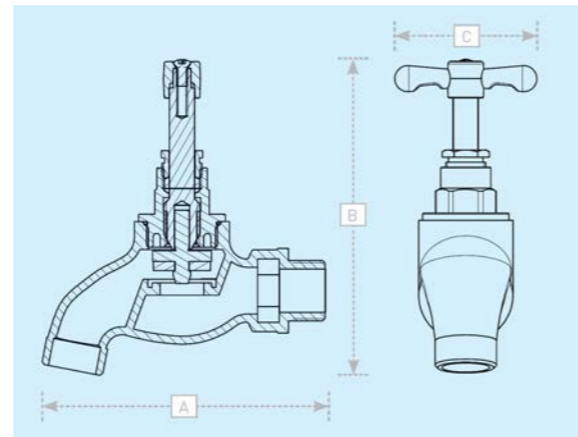
Code		Size	Bag Quantity	Weight
Metric	Imperial			
E5252	E6536	20mm x (1/2")	5	
E5874	E6535	25mm x (3/4")	5	
E5882	E6534	32mm x (1")	5	

EBCO BS1010 Bib Tap



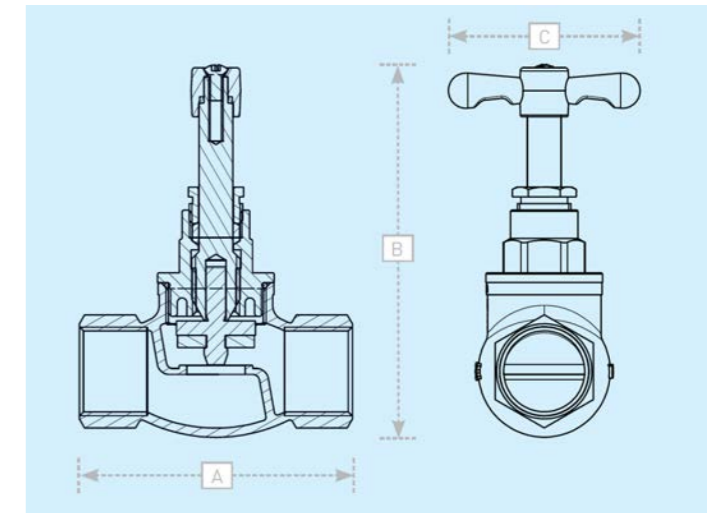
Part Number	Size (inlet)	Headworks	A (mm)	B (mm)	C (mm)	Pack Quantity			Weight (Kg each)
						Bag	Box	Carton	
BIB02	1/2" Male	Crutch Head	60	110	30				0.27

EBCO BS1010 Bibcock



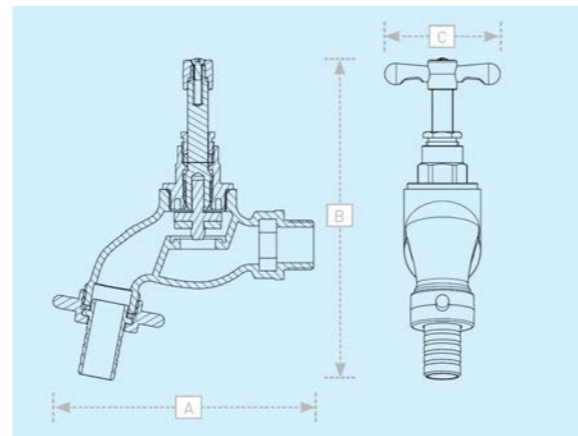
Part Number	Size (inlet)	Headworks	A (mm)	B (mm)	C (mm)	Pack Quantity			Weight (Kg each)
						Bag	Box	Carton	
BIB53PRC02	1/2" Male	Crutch Head	100	116	33				0.41
BIB53PRC03	3/4" Male	Crutch Head	110	145	40				0.72

EBCO BS1010 Stopvalve



Part Number	Size (inlet/outlet)	Headworks	A (mm)	B (mm)	C (mm)	Pack Quantity			Weight (Kg each)
						Bag	Box	Carton	
SV1002FCRK	1/2" Female	Crutch Head	78	116	44		20		0.50
SV1003FCRK	3/4" Female	Crutch Head	89	121	4520		15		0.60

EBCO BS1010 Hose Union Bibcock



Standard Hose Union Bibcock

Part Number	Size (inlet)	Headworks	A (mm)	B (mm)	C (mm)	Pack Quantity			Weight (Kg each)
						Bag	Box	Carton	
HUB53PRC02	1/2" Male	Crutch Head	87	132	32				0.48
HUB53PRC03	3/4" Male	Crutch Head	118	156	41				0.82

Hose Union Bibcock with Dual Check Valve

Part Number	Size (inlet)	Headworks	A (mm)	B (mm)	C (mm)	Pack Quantity			Weight (Kg each)
						Bag	Box	Carton	
HUB53PCV02	1/2" Male	Crutch Head	87	132	32		16		0.48

EBCO BS1010 Spherical Ball Valve - BSP Female



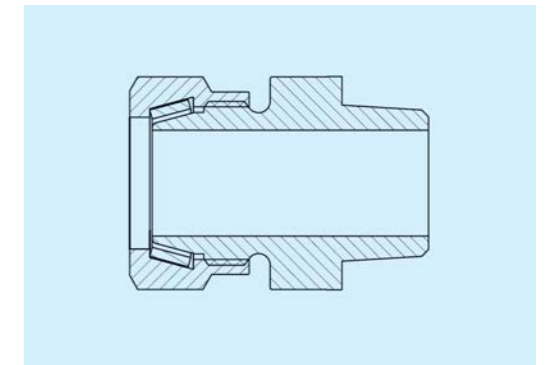
Part Number	Size (inlet/outlet)	Headworks	A (mm)	Pack Quantity			Weight (Kg each)
				Bag	Box	Carton	
EB11-211	1/2" x 1/2" Female	1/4 Turn Fan Head	75				0.45
EB11-233	3/4" x 3/4" Female	1/4 Turn Fan Head	74				0.50
B11-344	1" x 1" Female	1/4 Turn Fan Head	94				0.91
B11-566	1 1/2" x 1 1/2" Female	1/4 Turn Fan Head	121				2.31
B11-677	2" x 2" Female	1/4 Turn Fan Head	137				3.45
EB11-233R	3/4" x 3/4" Female	360° Fan Head	74				0.50
B11-344R	1" x 1" Female	360° Fan Head	94				0.91

EBCO BS1010 Spherical Ball Valve 90 Degrees-BSP Female



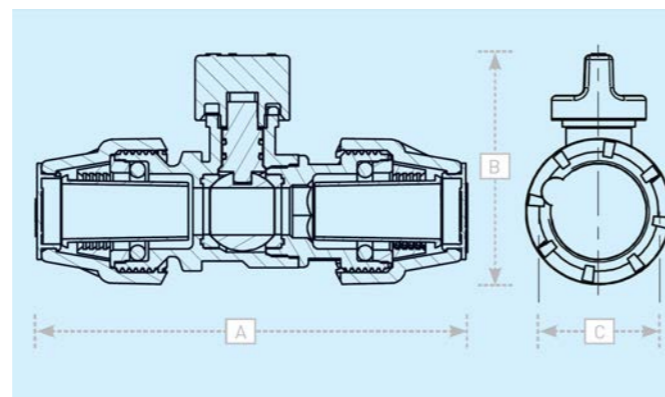
Part Number	Size (inlet/outlet)	Headworks	A (mm)	Pack Quantity			Weight (Kg each)
				Bag	Box	Carton	
BA13344W	1" x 1 1/4" Female	1/4 Turn Fan Head					

EBCO Spherical Ball Valve EBCO-S Compression Fitting (Type B Copper Pipe)



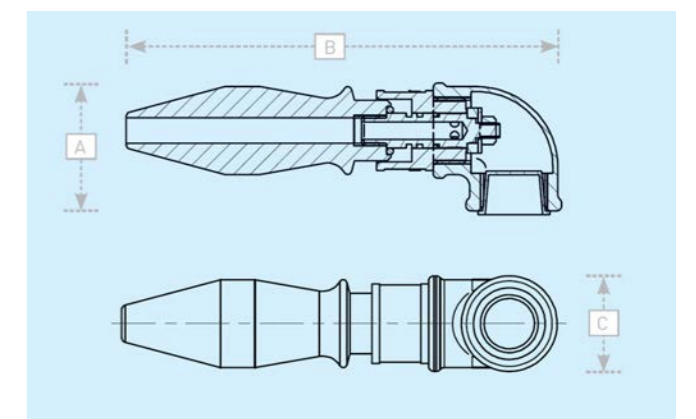
Part Number	Size (inlet/outlet)	Headworks	A (mm)	B (mm)	Pack Quantity			Weight (Kg each)
					Bag	Box	Carton	
EB11-233-22S	22mm x 22mm	1/4 Turn Fan Head	151	32		15		0.88
B11-344-28S	28mm x 28mm	1/4 Turn Fan Head	183	42		5		1.68
EB11-233-22SR	22mm x 22mm	360° Fan Head	151	32		10		0.88

EBCO Spherical Ball Valve Pushfit



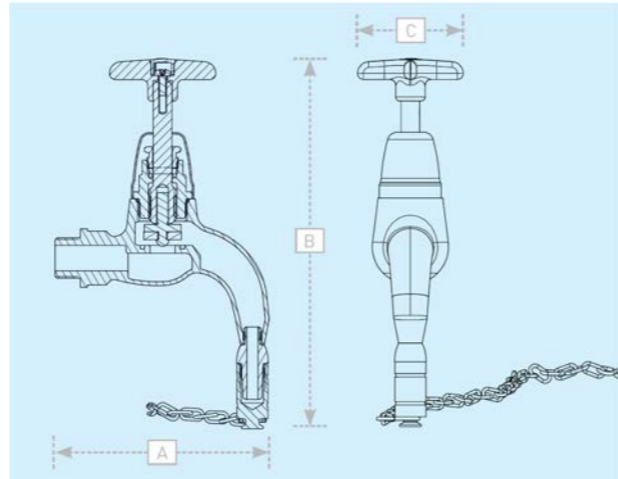
Part Number	Size (inlet/outlet)	Headworks	A (mm)	B (mm)	C (mm)	Pack Quantity			Weight (Kg each)
						Bag	Box	Carton	
SPH92525	25mm x 25mm BPF	1/4 Turn Fan Head	173	99	59		20		0.66
SPH88366	32mm x 32mm BPF	1/4 Turn Fan Head					12		1.14
SPH02525	25mm x 25mm BPF	360° Fan Head	173	99	59		20		0.65
SPH88366R	32mm x 32mm BPF	360° Fan Head					12		1.12

TALBOT Talflo Valve



Part Number	Size (inlet/outlet)	A (mm)	B (mm)	C (mm)	Pack Quantity			Weight (Kg each)
					Bag	Box	Carton	
E3336	1/2"	50	173	38				0.76
E3337	3/4"	50	173	38				0.70

EBCO Sampling Tap



Part Number	Size (inlet/outlet)	A (mm)	B (mm)	C (mm)	Pack Quantity			Weight (Kg each)
					Bag	Box	Carton	
SVSAMP	1/2" / Vertical	96	188	55		10		0.61
SVSAMP02	3/4" / Angular	94	175	55		10		

Replacement Headworks Assemblies

Part Number	Compatible Stopcocks/Stopvalves	Headworks	A (mm)	Pack Quantity			Weight (Kg each)
				Bag	Box	Carton	
TW5402CR	SV5402FCR	Crutch Head	61		20		0.28
	SV5420ZCR				15		
	SV5420BCR						
	SV5415CR				20		
	SV5402MCR						
	SV5403MCR				10		
TW5403CR	E2988	Crutch Head	68		15		0.44
	E2982						
	SV5403FCR				12		
	SV5425ZCR				12		
	SV542BCR				10		
	SV5422CR				12		
TW5404CR	SV5404MCR	Crutch Head	85		15		0.82
	E2993				8		
	E2983						
	E7620						
	SV5404FCR				6		
	SV5432ZCR				8		
TW5406CR	SV5432BCR	Crutch Head	116		6		1.86
	SV5428CR						
	SV5405MCR				8		
	E2996						
	E7621						
	SV5406FCR				3		
TW5408CR	SV5450ZCR	Crutch Head	131		2		3.08
	SV5450BCR				3		
	SV5442SCR				4		
	SV5408MCR				3		
	E2998				3		
	E7622						
TW1002CR	SV5463ZCR	Crutch Head			2		0.22
	SV5463BCR				2		
	SV5455SCR						
	E3000				2		
	E3468						
	E7623						
TW1003CR	SV1003FCRK	Crutch Head			15		0.26

EBCO Gunmetal Hose Fittings Technical Data

The EBCO range of gunmetal marine fittings includes hose connectors, blanking caps, strainer bodies and strainer body caps for use with BSP threaded pipes. Sizes range from 1/2" to 4" and the use of corrosion immune materials ensure a long and trouble free working life.

EBCO Hexagon Hose Connectors

Available in either straight or bent (90° elbow) configurations, gunmetal hose connectors are supplied with either a male BSP thread with hexagon shoulder or a female BSP thread with hexagon nut and loose serrated tail. Sizes range from 1/2" to 4".

EBCO Lugged Blanking Caps

Cast gunmetal cap with lugs, brass chain and nitrile washer. Sizes range from 1/2" to 4".

EBCO Strainer Bodies and Caps

A gunmetal water intake strainer and cap for use with nylon filter inserts. Sizes range from 1/2" to 1 1/2". Supplied without nylon filter insert.

Sizes:	1/2" to 4"
Thread Types:	BS EN ISO 228-1 (BS2779)
Materials	Metallic parts: Gunmetal to BS EN 1982:2008 CC491K and Brass. Washers: Nitrile Rubber

Benefits:

- Made from corrosion resistant gunmetal, EBCO hose fittings will provide years of trouble free service in even the most arduous of conditions.
- Available in a wide range of sizes, from 1/2" to 4" depending on product type, to cover the most common applications.

Safety

As with all industrial products it is important to take adequate safety precautions such as the use of adequate protective clothing like gloves, overalls, eye protection and safety footwear during installation and maintenance of this product.

Application

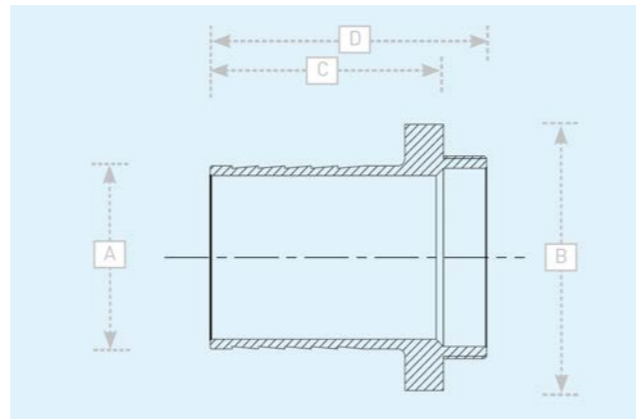
These products are designed for use with cold potable water. Save with the express written permission of TALIS-UK Ltd, no warranty is given for any other use.

Dimensions and weights are provided for guidance only.

Technical Help:

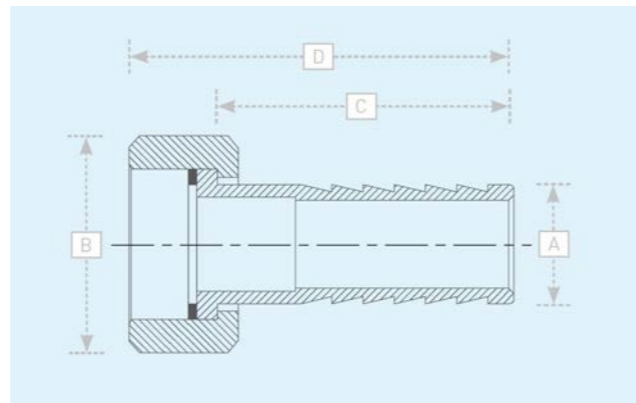
For further technical data, product specifications and general information please contact Customer Service on: +44 (0)845 077 9797

EBCO Hexagon Hose Connector - Male



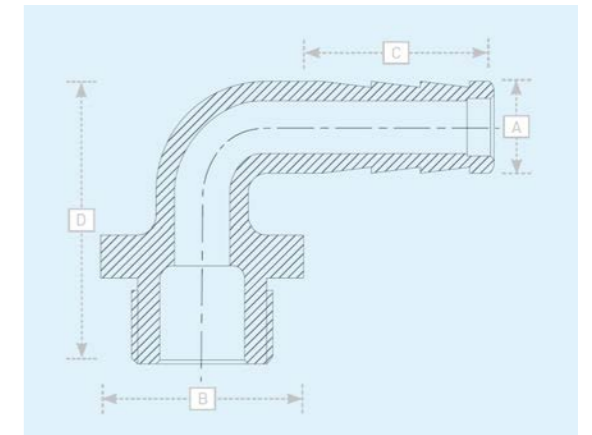
Part Number	Inlet	Hose	A (mm)	B (mm)	C (mm)	D (mm)	Pack Quantity			Weight (Kg each)
							Bag	Box	Carton	
H12B0202	1/2" Male	1/2"	14	28	39	61		1		0.08
H12B0303	3/4" Male	3/4"	20	33	38	59		1		0.12
H12B0404	1" Male	1"	26	40	52	79		1		0.20
H12B0505	1 1/4" Male	1 1/4"	32	50	51	79		1		0.29
H12B0606	1 1/2" Male	1 1/2"	38	55	56	82		1		0.34
H12B0808	2" Male	2"	51	76	68	98		1		0.63
H12B1010	2 1/2" Male	2 1/2"	64	87	76	110		1		0.90
H12B1212	3" Male	3"	76	97	79	120		1		1.46
H12B1616	4" Male	4"	102	130	110	157		1		3.19

EBCO Hexagon Hose Connector - Female



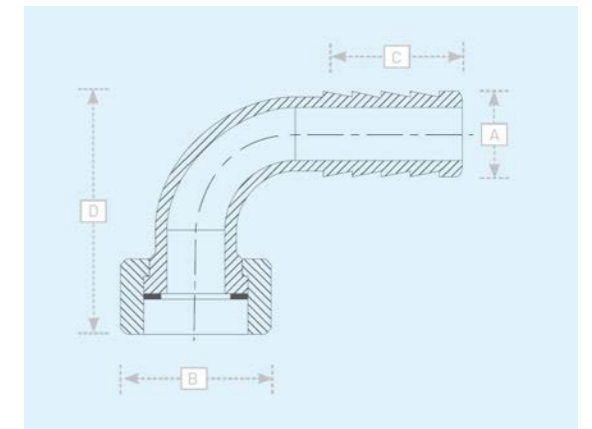
Part Number	Inlet	Hose	A (mm)	B (mm)	C (mm)	D (mm)	Pack Quantity			Weight (Kg each)
							Bag	Box	Carton	
H24HS02F	1/2" Female	1/2"	14	25	38	49		1		0.06
H24HS03F	3/4" Female	3/4"	19	30	49	63		1		0.11
H24HS04F	1" Female	1"	26	40	54	68		1		0.18
H24HS05F	1 1/4" Female	1 1/4"	32	48	60	87		1		0.28
H24HS06F	1 1/2" Female	1 1/2"	38	60	70	86		1		0.44

EBCO Bent Hexagon Hose Connector - Male



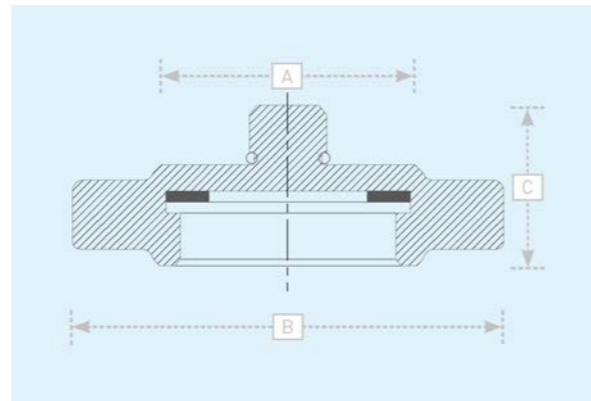
Part Number	Inlet	Hose	A (mm)	B (mm)	C (mm)	D (mm)	Pack Quantity			Weight (Kg each)
							Bag	Box	Carton	
HBHS02M	1/2" Male	1/2"	14	30	28	42		1		0.09
HBHS03M	3/4" Male	3/4"	19	33	32	52		1		0.16
HBHS04M	1" Male	1"	26	40	29	69		1		0.28
HBHS05M	1 1/4" Male	1 1/4"	31	48	41	76		1		0.40
HBHS06M	1 1/2" Male	1 1/2"	38	58	50	93		1		0.77
HBHS08M	2" Male	2"	51	76	61	117		1		1.27

EBCO Bent Hexagon Hose Connector - Female



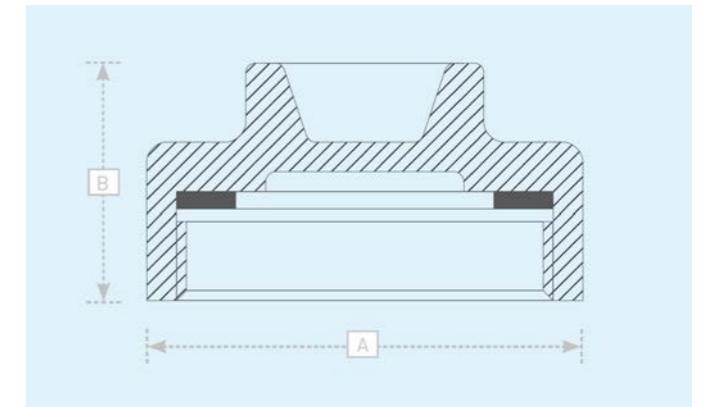
Part Number	Inlet	Hose	A (mm)	B (mm)	C (mm)	D (mm)	Pack Quantity			Weight (Kg each)
							Bag	Box	Carton	
HBHS02F	1/2" Female	1/2"	14	25	21	45		1		0.08
HBHS03F	3/4" Female	3/4"	20	30	33	57		1		0.17
HBHS04F	1" Female	1"	26	40	41	64		1		0.28
HBHS05F	1 1/4" Female	1 1/4"	32	48	49	76		1		0.39
HBHS08F	2" Female	2"	51	69	60	132		1		1.20

EBCO Lugged Blanking Cap and Chain



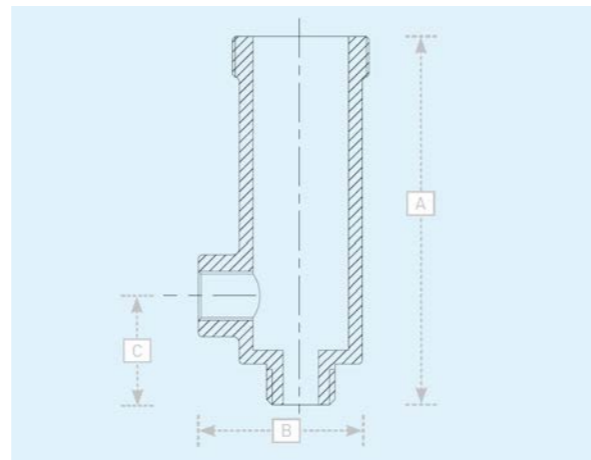
Part Number	Cap	Thread	A (mm)	B (mm)	C (mm)	Pack Quantity			Weight (Kg each)
						Bag	Box	Carton	
HLBC02	1/2"	1/2" Female	26	46	27		1		0.08
HLBC03	3/4"	3/4" Female	33	59	29		1		0.14
HLBC04	1"	1" Female	41	70	33		1		0.18
HLBC05	1 1/4"	1 1/4" Female	50	81	36		1		0.22
HLBC06	1 1/2"	1 1/2" Female	58	92	43		1		0.42
HLBC08	2"	2" Female	70	112	42		1		0.50
HLBC10	2 1/2"	2 1/2" Female	87	127	50		1		0.87
HLBC12	3"	3" Female	103	152	49		1		1.01

EBCO Strainer Body Cap



Part Number	Inlet (Tapered)	Outlet (Parallel)	A (mm)	B (mm)	Pack Quantity			Weight (Kg each)
					Bag	Box	Carton	
HSC02	1/2"	1 1/2" Female	54	30		1		0.24
HSC03	3/4"	1 1/2" Female	54	30		1		0.24
HSC04	1"	1 1/2" Female	54	30		1		0.24
HSC05	1 1/4"	1 3/4" Female	60	30		1		0.28
HSC06	1 1/2"	1 3/4" Female	60	30		1		0.28

EBCO Strainer Body



Part Number	Inlet (Tapered)	Outlet (Parallel)	A (mm)	B (mm)	C (mm)	Pack Quantity			Weight (Kg each)
						Bag	Box	Carton	
HSB02	1/2" Male	1/2" Female	133	57	42		1		0.53
HSB03	3/4" Male	3/4" Female	203	65	58		1		0.80
HSB03s	3/4" Male	3/4" Female	137	65	58		1		0.62
HSB04	1" Male	1" Female	222	70	65		1		1.12
HSB05	1 1/4" Male	1 1/4" Female	256	78	102		1		1.34
HSB06	1 1/2" Male	1 1/2" Female	260	80	111		1		1.48



www.talis-uk.com

TALIS is the undisputed Number One for water transport and water flow control. TALIS has the best solutions available in the fields of water and energy management as well as for industrial and communal applications. We have numerous products for comprehensive solutions for the whole water cycle – from hydrants, butterfly valves and knife gate valves through to needle valves. Our experience, innovative technology, global expertise and individual consultation processes form the basis for developing long-term solutions for the efficient treatment of the vitally important resource “water”.



TALIS UK

Brackla Industrial Estate
Bridgend, Wales CF31 2AX
United Kingdom

PHONE +44 (0)845 077 9797

FAX +44 (0)845 077 9798

E-MAIL enquiries@talis-group.com

INTERNET www.talis-uk.com

Note: Specifications may be changed without notification at any time. Copyright: No copying without express written permission of TALIS. TALIS is a Registered Trademark. House Connection Catalogue (11/15)