



A Moen Incorporated Brand

*There is more than 1 version of this model.
Page down to identify the version you have.*

Models:

**40224 series less waste assembly
40225 series with waste assembly**



Two Handle Faucet

DESCRIPTION

- Metal construction with various finishes identified by suffix
- 1/2" IPS connections
- 6 individual boxes per master carton
- Handles withstand aggressive scrubbing cleaners

OPERATION

- Lever style handles
- Hot side: Turn counterclockwise to open (clockwise to close)
- Cold side: Turn clockwise to open (counterclockwise to close)
- Will operate with less than 5 lbs. of torque
- No grasping motion required to operate the faucet handles

FLOW

- Water usage is limited to these maximum flow rates as indicated by the corresponding product markings
 - 1.2 gpm max (4.5L/min) at 60 psi
 - 1.5 gpm max (5.7L/min) at 60 psi

CARTRIDGE

- Ceramic disc technology
- Non-metallic, non-ferrous, and brass material
- Single body construction for easy replacement

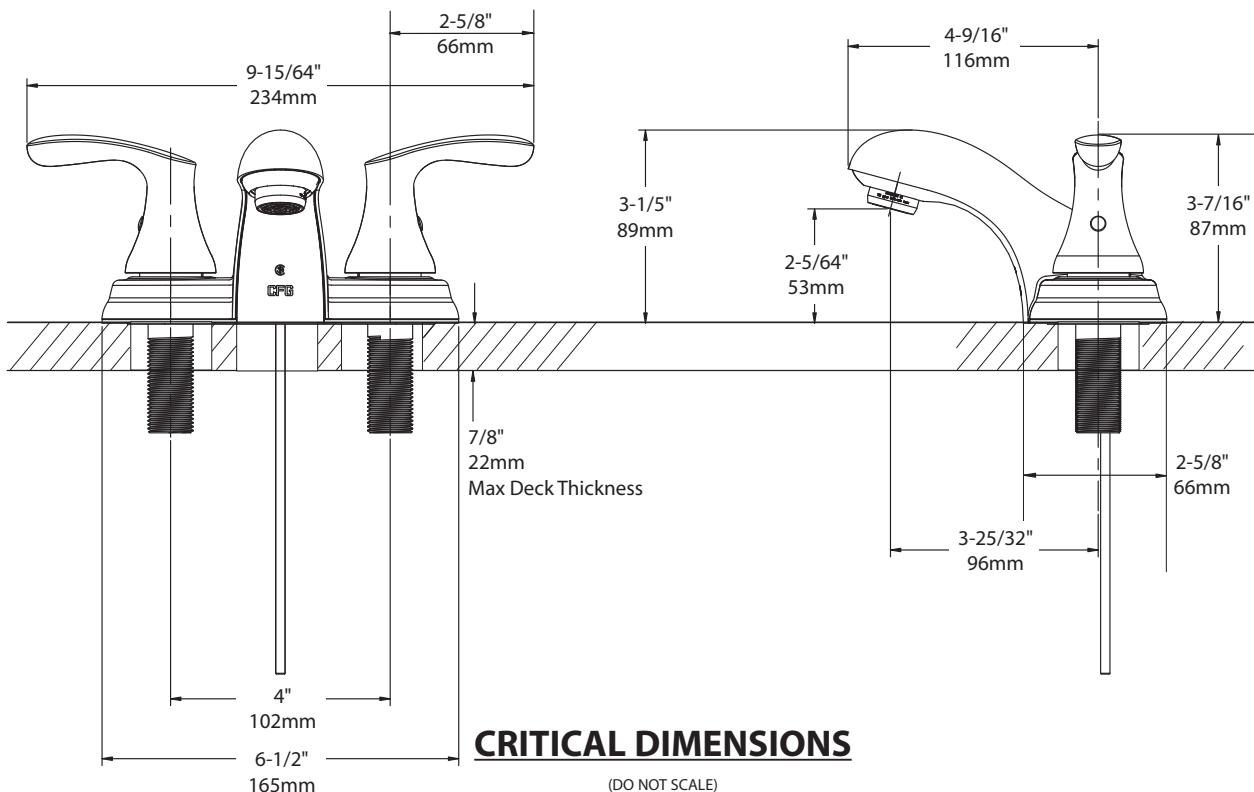
STANDARDS

- Third party certified to ASME A112.18.1/CSA B125.1, NSF 61/9 & 372, and all applicable requirements referenced therein, the Federal Safe Drinking Water Act, California Proposition 65, Illinois, Massachusetts, and Texas
- Products marked with 1.2 gpm are compliant with California water efficiency regulations
- All CFG products are compliant to all plumbing codes that require 3rd party certification to the applicable plumbing/fitting standards
- Features red/blue plug buttons

WARRANTY – RESIDENTIAL, COMMERCIAL

- Ten year limited warranty against defects in materials and manufacturing workmanship
- Refer to the installation instructions enclosed with each CFG product or call 1-888-450-5522 for complete warranty information

NOTE: This faucet is designed to be installed through 3 holes, 1" (25mm) minimum diameter, 4" centers.





A Moen Incorporated Brand



Models:
40224 series less waste assembly
40225 series with waste assembly



Two Handle Faucet

DESCRIPTION

- Metal construction with various finishes identified by suffix
- 1/2" IPS connections
- 6 individual boxes per master carton
- Handles withstand aggressive scrubbing cleaners

OPERATION

- Lever style handles
- Hot side: Turn counterclockwise to open (clockwise to close)
- Cold side: Turn clockwise to open (counterclockwise to close)
- Will operate with less than 5 lbs. of torque
- No grasping motion required to operate the faucet handles

FLOW

- Aerator limited to 1.5 gpm max (8.3L/min)

CARTRIDGE

- Ceramic disc technology
- Non-metallic, non-ferrous, and brass material
- Single body construction for easy replacement

STANDARDS

- Third party certified to ASME A112.18.1/CSA B125.1, NSF 61/9 & 372, and all applicable requirements referenced therein, the Federal Safe Drinking Water Act, California Proposition 65, Illinois, Massachusetts, and Texas
- All CFG products are compliant to all plumbing codes that require 3rd party certification to the applicable plumbing/fitting standards
- Features red/blue plug buttons

WARRANTY – RESIDENTIAL, COMMERCIAL

- Ten year limited warranty against defects in materials and manufacturing workmanship
- Refer to the installation instructions enclosed with each CFG product or call 1-888-450-5522 for complete warranty information

NOTE: This faucet is designed to be installed through 3 holes, 1" (25mm) minimum diameter, 4" centers.

