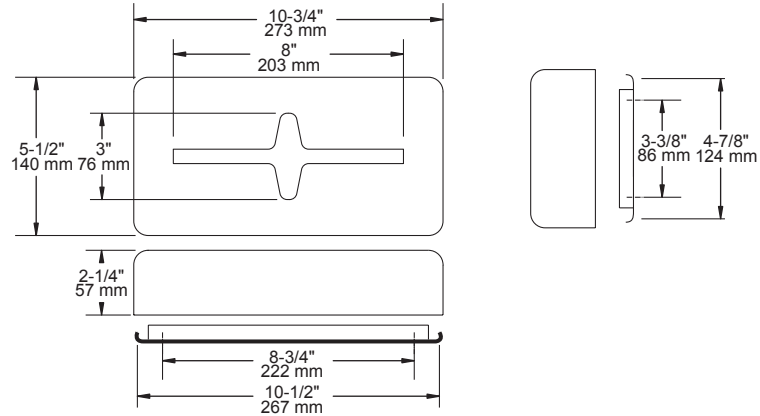


# TECHNICAL DATA

## Recessed Fixtures

## SURFACE TISSUE CABINET - 915



### MATERIALS:

Base Wall Panel - 20 Gauge, Galvanized Steel  
Cover - Steel x 24 Gauge, Chrome Plated

### INSTALLATION:

Install wall base panel with 4 - #8 x 1-1/4" round head zinc plated steel screws provided. Snap cover on wall base panel. Wood blocking is preferable behind all wall surfaces. If wood blocking is not available, the following fasteners are suggested: Tile/Masonry - Plastic or Lead Anchors, Plaster/Drywall - Toggle Bolts.

### SPECIFICATION:

Surface tissue cabinet shall be model \_\_\_\_\_  
(fill in model number) by Liberty Hardware Manufacturing Corporation.